

4

3

2

1

D

D

C

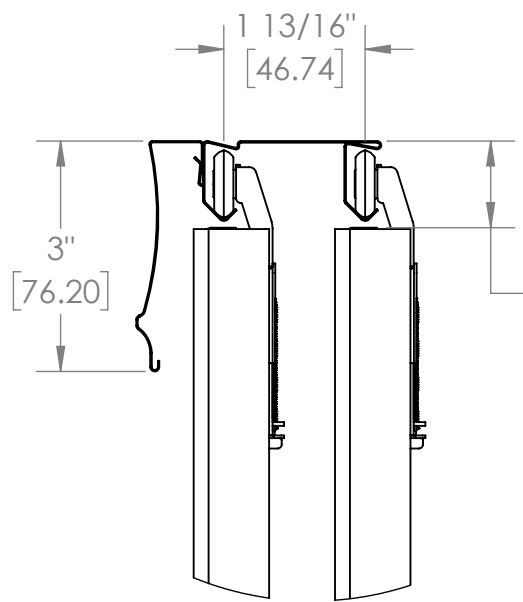
C

B

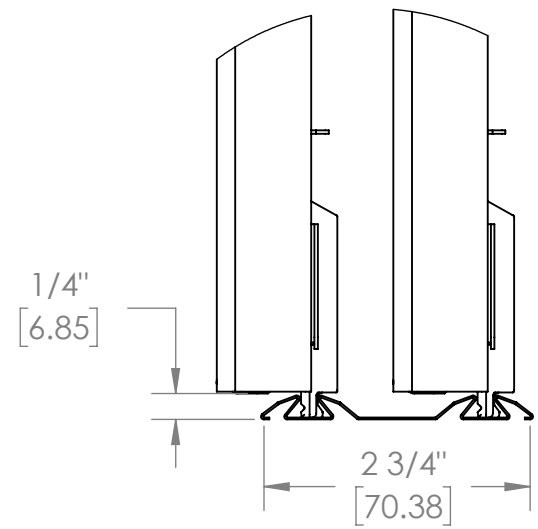
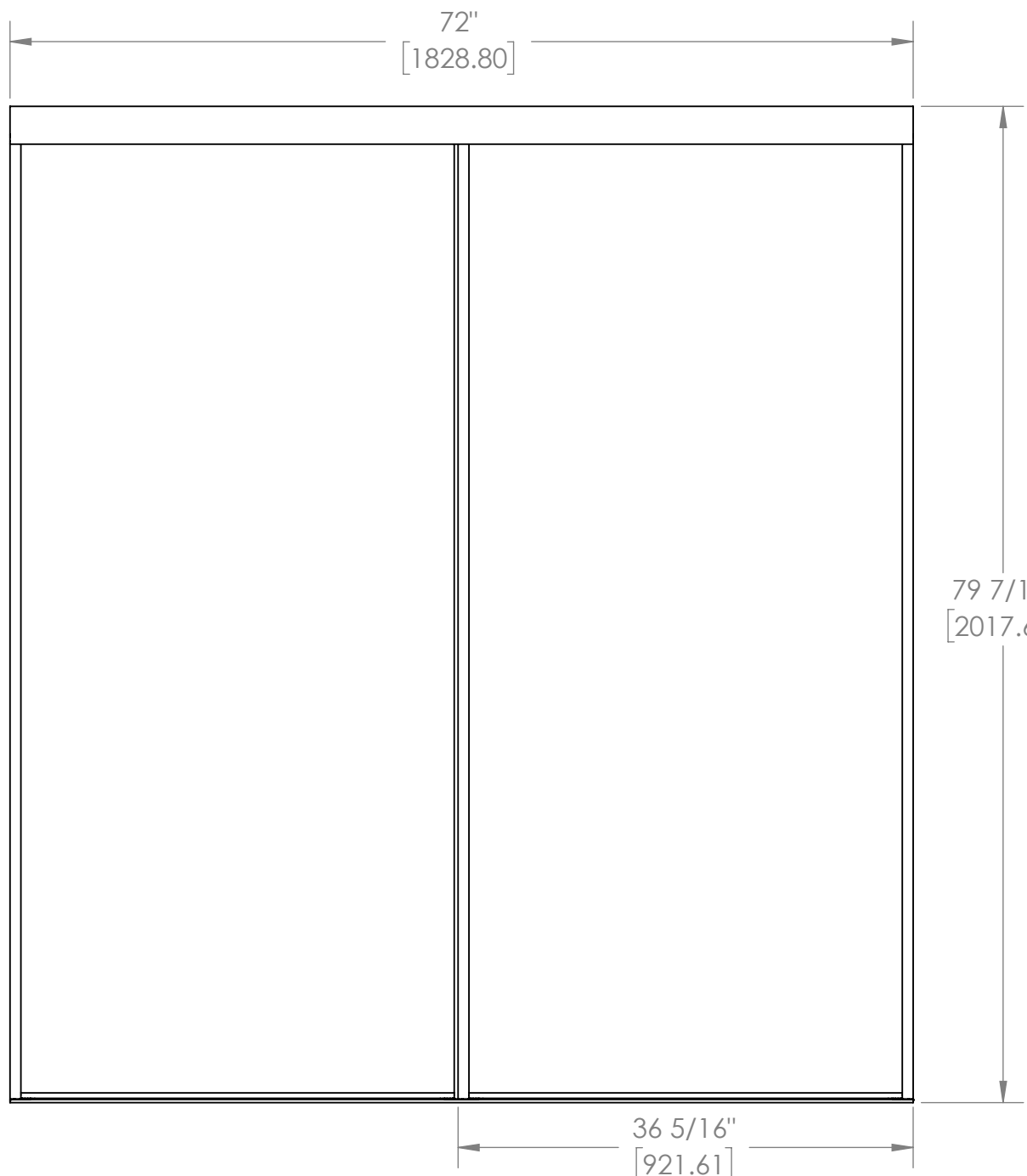
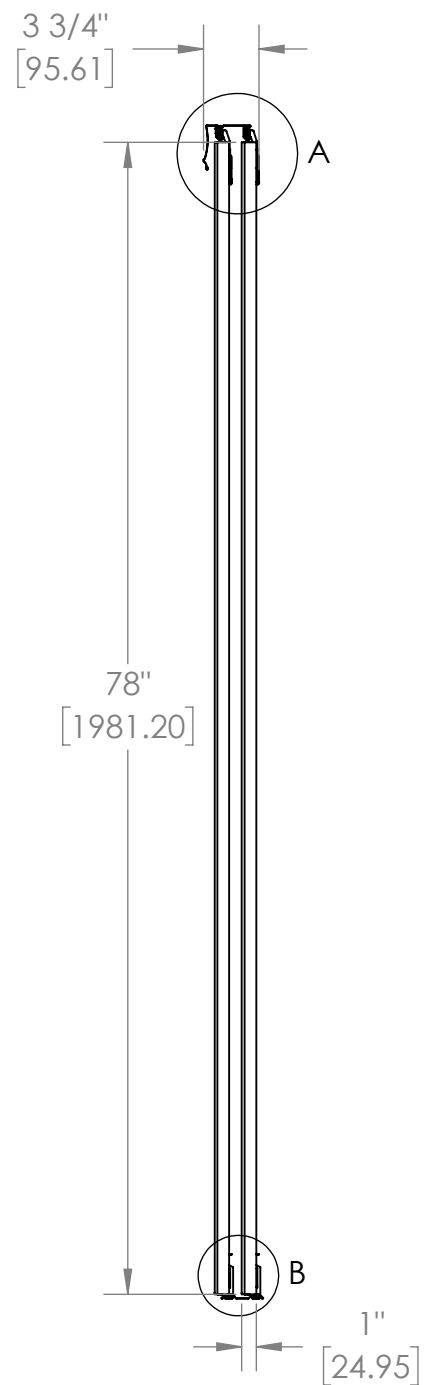
B

A

A



DETAIL A



DETAIL B

UNLESS OTHERWISE SPECIFIED
DIMENSIONS ARE IN INCHES[MM]
TOLERANCES:
FRACTIONAL X/XX ±1/64
2 DECIMAL PLACES .XX" ±.01
3 DECIMAL PLACES .XXX" ±.005
ANGLES ±2°
0 DECIMAL PLACES X.mm ±.5
1 DECIMAL PLACE .Xmm ±.2
2 DECIMAL PLACES .XXmm ±.1

	NAME	DATE MDY
DRAWN	MBP	12/11/2025
CHECKED		
ENG APPR.		
MFG APPR.		
Q.A.		

RENIN 110 Walker Drive
Brampton, ON, L6T 4H6

TITLE:
**72" X 80 1/2" WHITE FRM
MIR SLD DR**

REV	BY	DATE	ECO#	REVISION
0		12/10/25		DRAWING CREATION

PROPRIETARY AND CONFIDENTIAL
THIS DOCUMENT IS THE SOLE PROPERTY OF RENIN CANADA CORP, AND IS FURNISHED ON THE CONDITION IT IS NOT TO BE DISCLOSED OR REPRODUCED IN WHOLE OR IN PART, OR TO BE USED FOR MANUFACTURING FOR ANYONE OTHER THAN RENIN CANADA CORP, WITHOUT ITS PRIOR WRITTEN CONSENT.

MATERIAL
FINISH
DO NOT SCALE DRAWING

SIZE	DWG. NO.	REV
B	BY0120	0

SCALE: 1 : 1 WEIGHT: SHEET 1 OF 1