

4

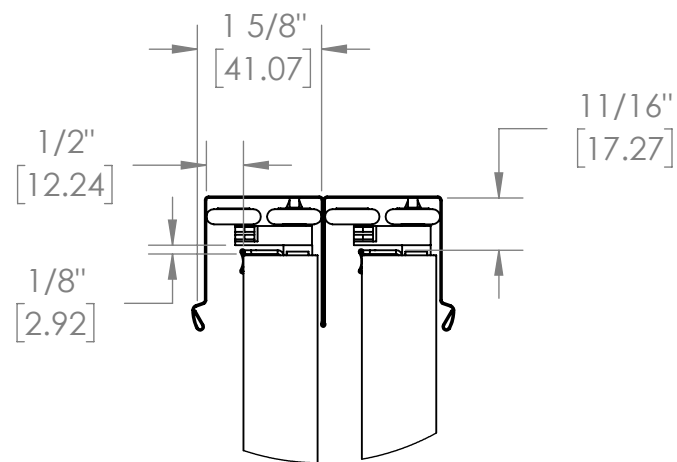
3

2

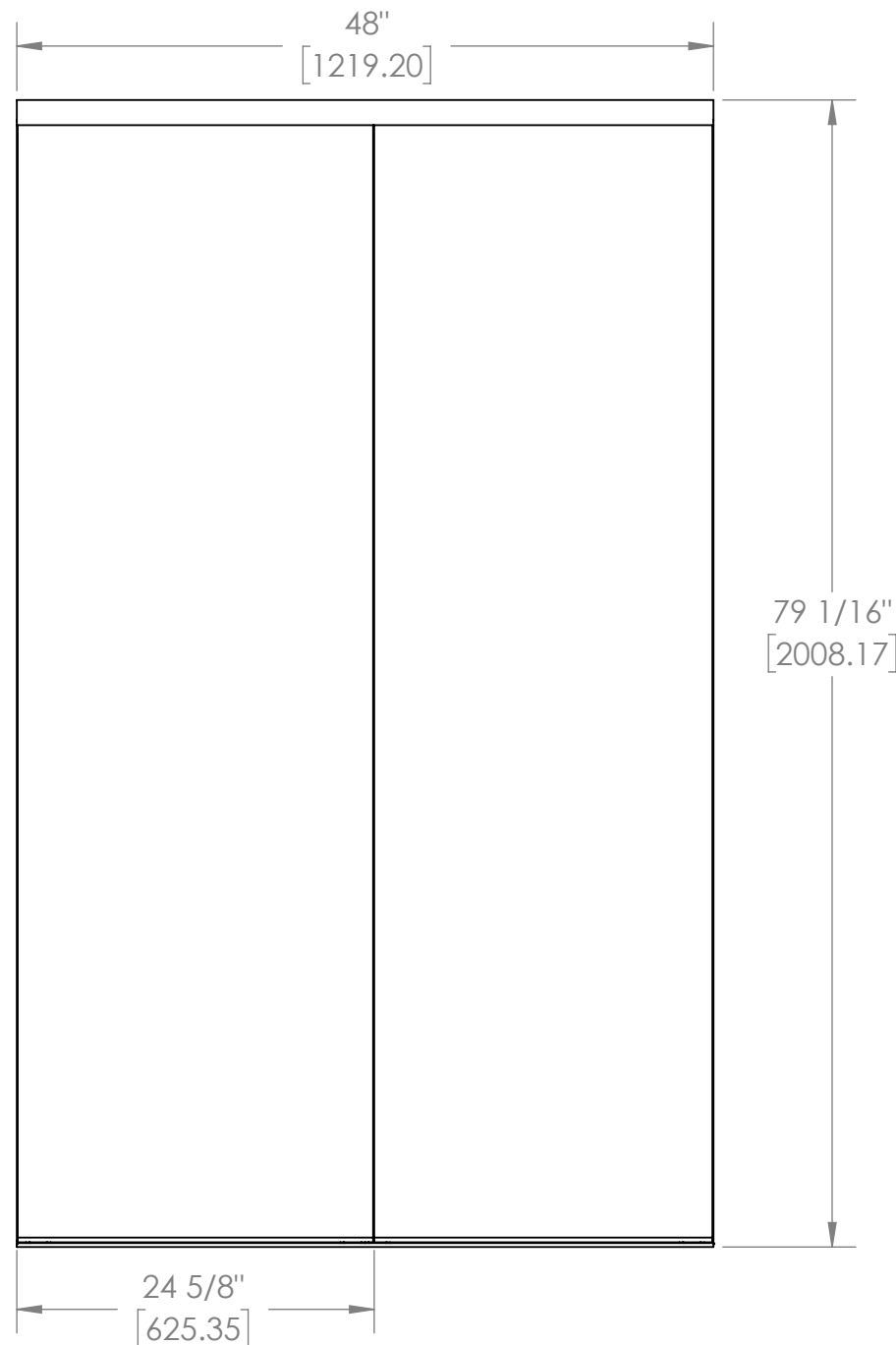
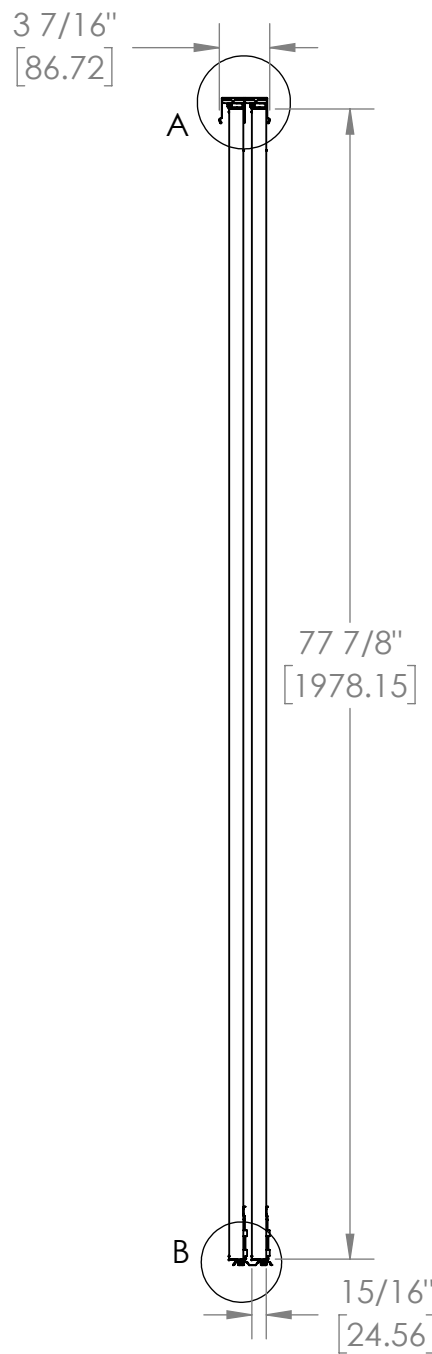
1

D

D



DETAIL A

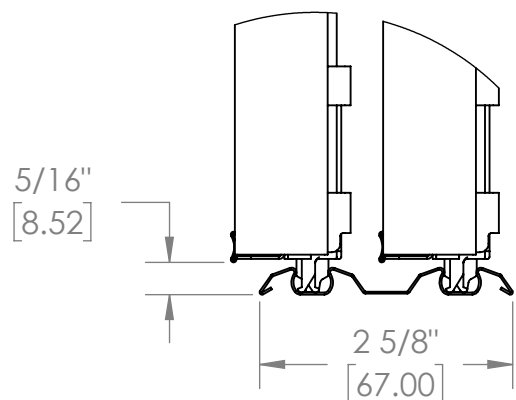


C

C

B

B



DETAIL B

A

A

0	MBP	12/25/25		DRAWING CREATION
REV	BY	DATE	ECO#	REVISION

PROPRIETARY AND CONFIDENTIAL
 THIS DOCUMENT IS THE SOLE PROPERTY OF RENIN CANADA CORP, AND IS FURNISHED ON THE CONDITION IT IS NOT TO BE DISCLOSED OR REPRODUCED IN WHOLE OR IN PART, OR TO BE USED FOR MANUFACTURING FOR ANYONE OTHER THAN RENIN CANADA CORP, WITHOUT ITS PRIOR WRITTEN CONSENT.

UNLESS OTHERWISE SPECIFIED
 DIMENSIONS ARE IN INCHES[MM]
TOLERANCES:
 FRACTIONAL X/XX ±1/64
 2 DECIMAL PLACES .XX" ±.01
 3 DECIMAL PLACES .XXX" ±.005
 ANGLES ±2°
 0 DECIMAL PLACES X.mm ±.5
 1 DECIMAL PLACE .Xmm ±.2
 2 DECIMAL PLACES .XXmm ±.1

MATERIAL

FINISH
 DO NOT SCALE DRAWING

	NAME	DATE MDY
DRAWN	MBP	12/25/2025
CHECKED		
ENG APPR.		
MFG APPR.		
Q.A.		

COMMENTS:

RENIN 110 Walker Drive
 Brampton, ON, L6T 4H6

TITLE:
**48" X 80 1/2" FRMLESS
 MIR SLD DR**

SIZE B	DWG. NO. BY320	REV 0
SCALE: 1 : 1		WEIGHT:
		SHEET 1 OF 1

4

3

2

1