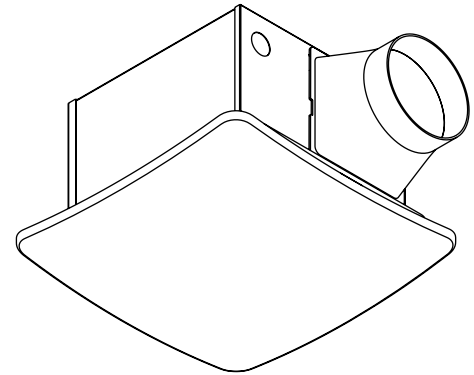
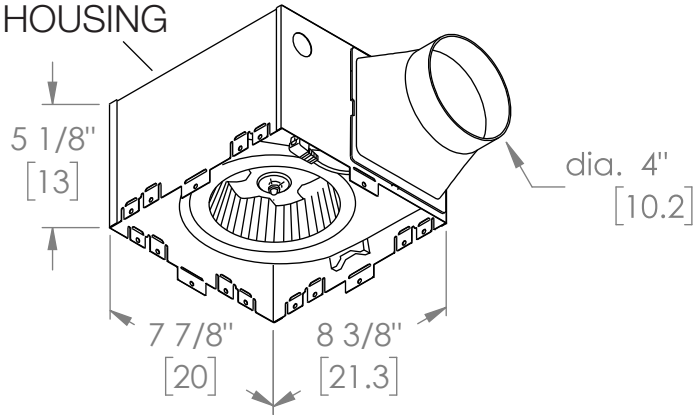
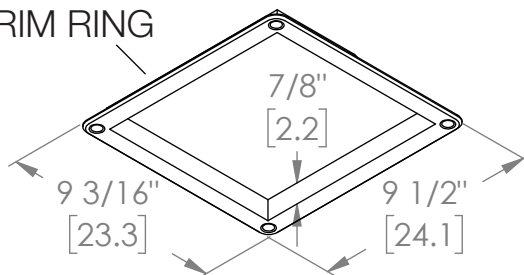


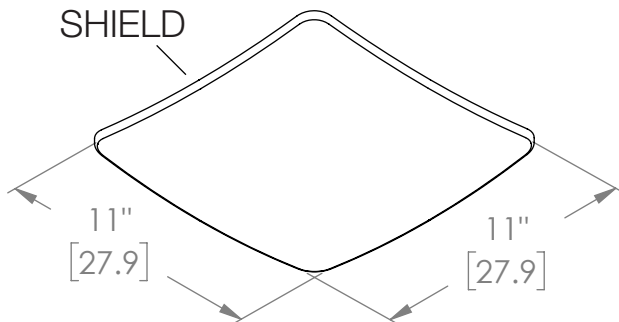
FAN HOUSING



TRIM RING



SHIELD



**ReVent®**  
Ventilation Fans

THIS DRAWING IS THE PROPERTY OF GTR TECHNOLOGY INC. AND TRANSMITTED IN CONFIDENCE. THE REPRODUCTION, USE, OR DISCLOSURE, IN WHOLE OR IN PART, OF THE DESIGN AND DETAILS CONTAINED HEREIN IS PROHIBITED WITHOUT THE WRITTEN PERMISSION OF GTR TECHNOLOGY INC. 061620

PART #  
**RVS50, RVSH50,  
RVS70, RVSH70,  
RVS80, RVSH80**