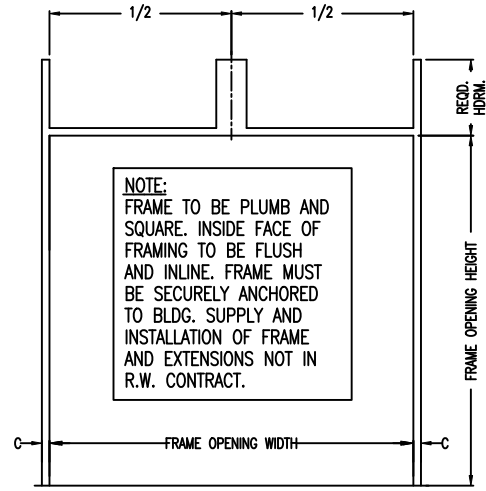
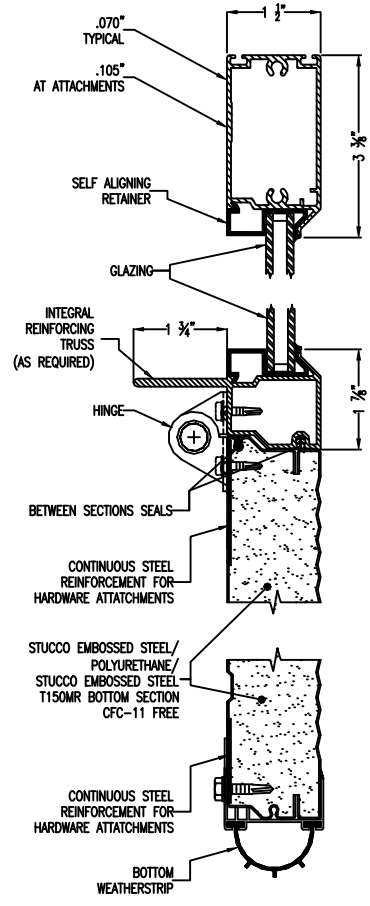
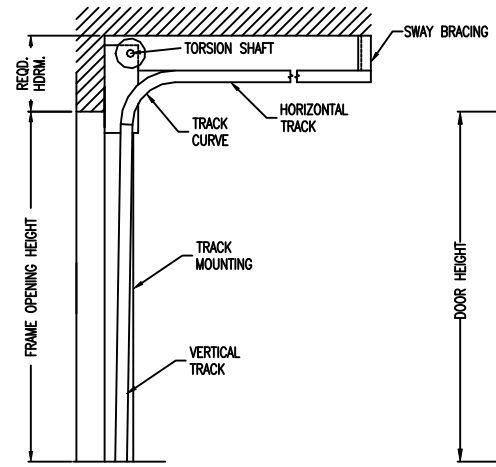


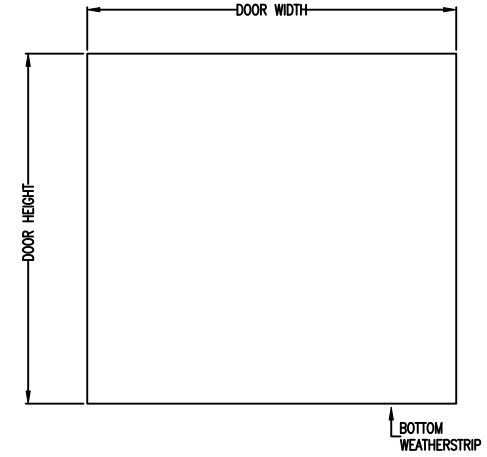
| ISSUE NO. | REV. LET. | ISSUES OR REVISIONS | DATE | BY | APP. |
|-----------|-----------|---------------------|------|----|------|
| 1 | | | | | |



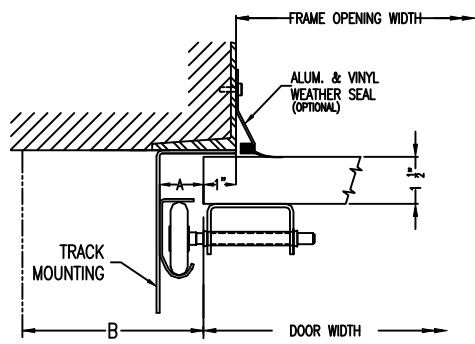
INTERIOR ELEVATION OF FRAMING BY OTHERS



CROSS SECTION



EXTERIOR ELEVATION



STEEL JAMB DETAILS

| | | | | | | | |
|----------------------|--|------------------------------|--------|--------|--------|----------|-----------|
| DOOR WIDTH | | ADCA | A | B | C | TRUSSING | WIND LOAD |
| DOOR HEIGHT | | 2" | 1 1/2" | 3 1/2" | 2 1/2" | | |
| FRAME OPENING WIDTH | | 3" | 2" | 4" | 3" | OPTIONS | |
| FRAME OPENING HEIGHT | | VERTICAL TRACK | | | | | |
| HEADROOM REQ'D. | | HORIZONTAL TRACK ___" RADIUS | | | | | |
| TRACK MOUNTING | <input type="checkbox"/> ADCA <input type="checkbox"/> BRACKET | LITES | | | | | |

TITLE ALUMATITE A150T DOOR C/W ___" STANDARD LIFT HARDWARE

CLIENT _____

SETS REQUIRED _____ TAG _____

CLIENT'S ORDER NO. _____ R-W ORDER NO. _____

| | | | | |
|--|----------|--|-------------|-----|
| Richards-Wilcox CANADA INC. TORONTO, ONTARIO | DRAWN | | SCALE | NTS |
| | CHECKED | | DRAWING NO. | |
| | APPROVED | | SHEET NO. | |