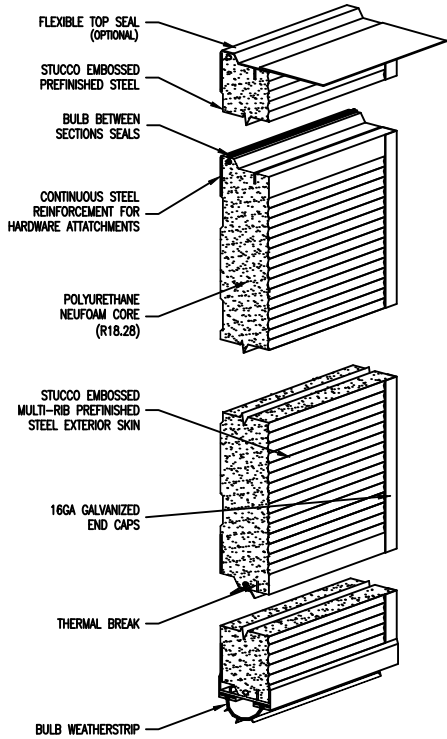
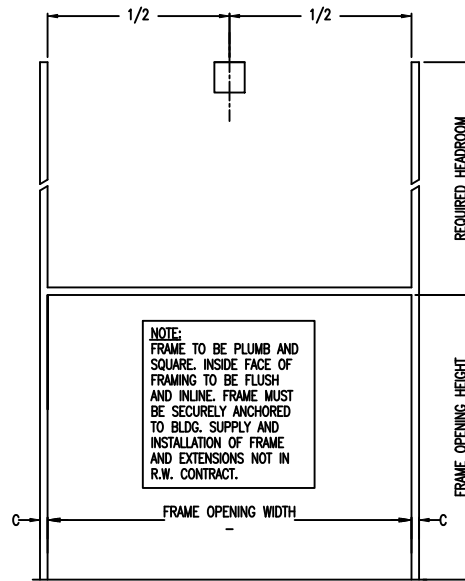


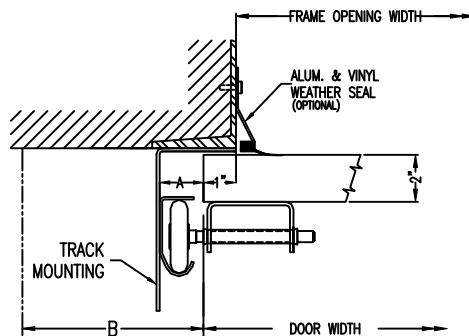
THERMATITE ADV200-MR



NOTE:

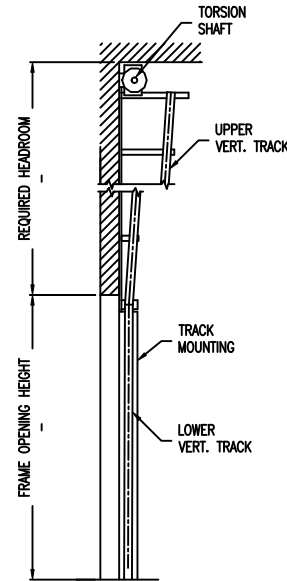


INTERIOR ELEVATION OF FRAMING BY OTHERS

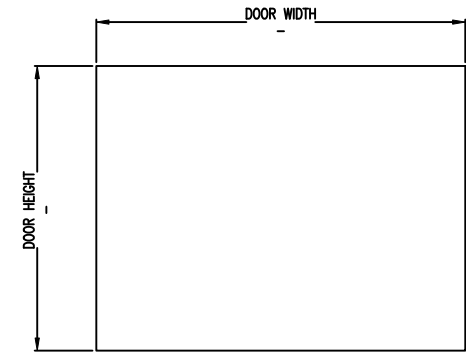


STEEL JAMB DETAILS

ISSUE NO.	REV. LET.	ISSUES OR REVISIONS	DATE	BY	APP.
1					



CROSS SECTION



EXTERIOR ELEVATION

DOOR WIDTH		ADCA	A	B	C	TRUSSING	WIND LOAD
DOOR HEIGHT		2"	1 1/2"	3 1/2"	2 1/2"		
FRAME OPENING WIDTH		3"	2"	4"	3"	OPTIONS	
FRAME OPENING HEIGHT		LOWER VERTICAL TRACK					
HEADROOM REQ'D.		UPPER VERTICAL TRACK					
TRACK MOUNTING	<input type="checkbox"/> ADCA <input type="checkbox"/> BRACKET	LITES					

TITLE THERMATITE ADV200-MR DOOR C/W ___" VERTICAL LIFT HARDWARE			
CLIENT			
SETS REQUIRED			
CLIENT'S ORDER NO.		R-W ORDER NO.	
<p style="font-size: 24pt; font-weight: bold;">Richards-Wilcox</p> <p>CANADA INC. TORONTO, ONTARIO</p>		DRAWN	SCALE
		CHECKED	DRAWING NO.
		APPROVED	SHEET NO.