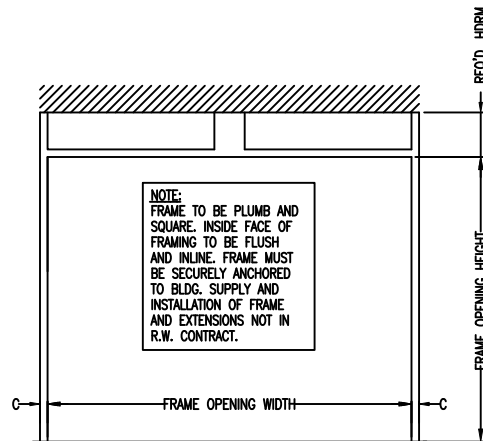
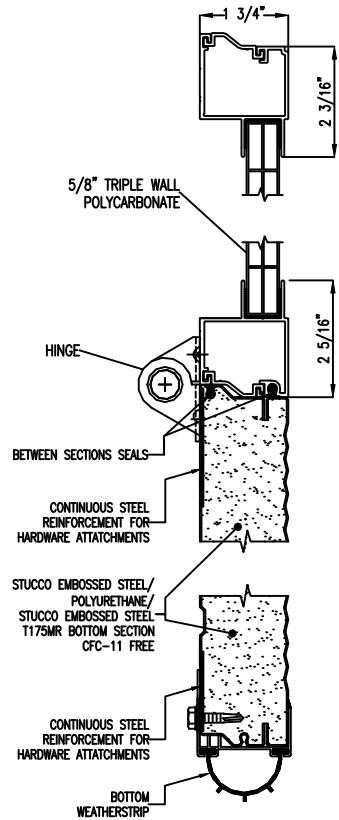
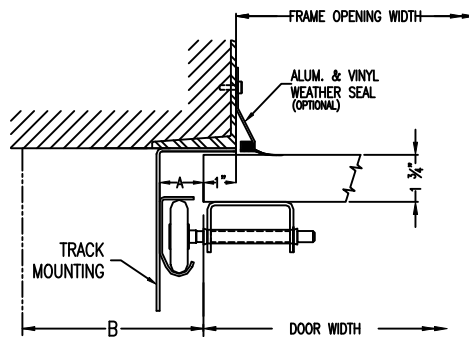


POLYTITE P175T

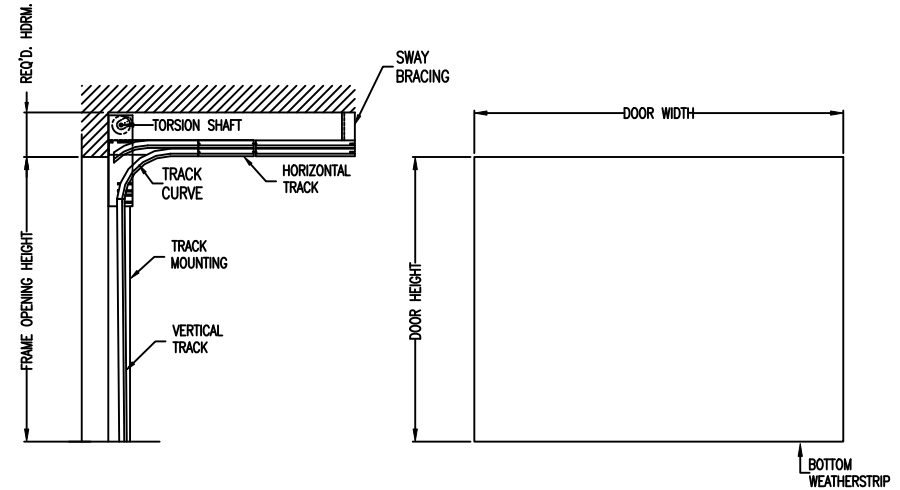


INTERIOR ELEVATION OF FRAMING BY OTHERS



STEEL JAMB DETAILS

ISSUE NO.	REV. LET.	ISSUES OR REVISIONS	DATE	BY	APP.
1					



CROSS SECTION

EXTERIOR ELEVATION

DOOR WIDTH		ADCA	A	B	C	TRUSSING	WIND LOAD
DOOR HEIGHT		2"	1 1/2"	3 1/2"	2 1/2"		
FRAME OPENING WIDTH		3"	2"	4"	3"	OPTIONS	
FRAME OPENING HEIGHT		VERTICAL TRACK					
HEADROOM REQ'D.		HORIZONTAL TRACK					
TRACK MOUNTING	<input type="checkbox"/> ADCA <input type="checkbox"/> BRACKET	LITES					

TITLE POLYTITE P175T DOOR C/W ___" LOW HEADROOM FRONT MOUNT HARDWARE							
CLIENT							
SETS REQUIRED				TAG			
CLIENT'S ORDER NO.				R-W ORDER NO.			
Richards-Wilcox CANADA INC. TORONTO, ONTARIO				DRAWN		SCALE NTS	
				CHECKED		DRAWING NO.	
				APPROVED		SHEET NO.	