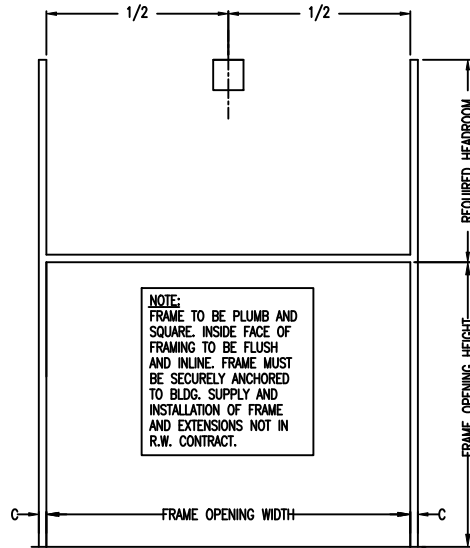
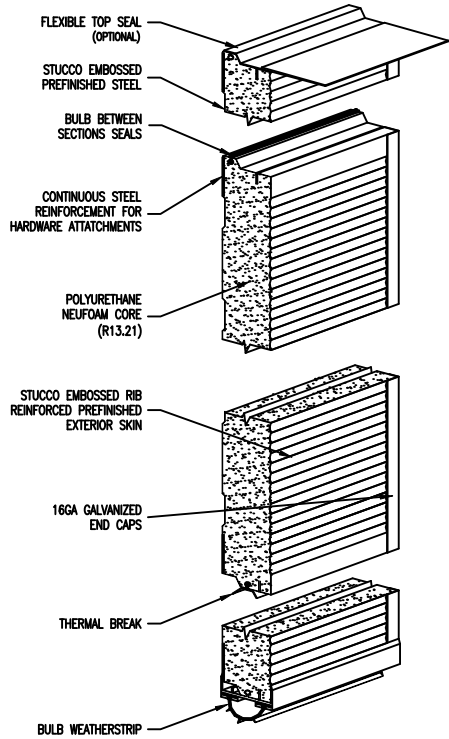
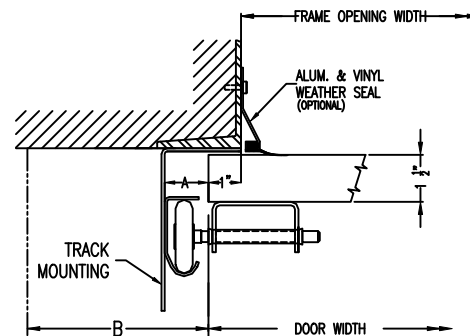


THERMATITE T150-MR

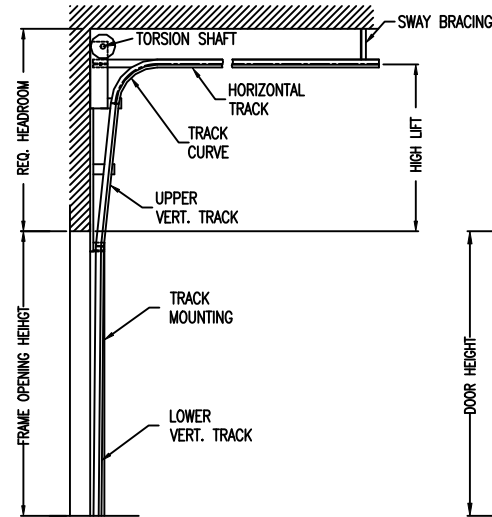


INTERIOR ELEVATION OF FRAMING BY OTHERS

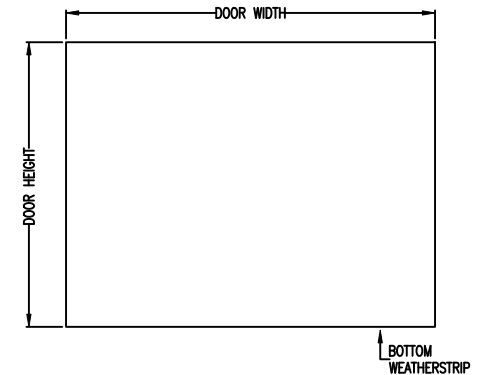


STEEL JAMB DETAILS

ISSUE NO.	REV. LET.	ISSUES OR REVISIONS	DATE	BY	APP.
1					



CROSS SECTION



EXTERIOR ELEVATION

DOOR WIDTH	DOOR HEIGHT	FRAME OPENING WIDTH	FRAME OPENING HEIGHT	HIGH LIFT	HEADROOM REQ'D.	TRACK MOUNTING	ADCA	BRACKET	ADCA	A	B	C	TRUSSING	WIND LOAD
							<input type="checkbox"/>	<input type="checkbox"/>	2"	1 1/2"	3 1/2"	2 1/2"		
									3"	2"	4"	3"		
									LOWER VERTICAL TRACK					
									UPPER VERTICAL TRACK					
									HORIZONTAL TRACK ___" RADIUS					
									LITES					
													OPTIONS	

TITLE THERMATITE T150-MR DOOR C/W ___" HIGH LIFT HARDWARE																		
CLIENT																		
SETS REQUIRED TAG																		
CLIENT'S ORDER NO. R-W ORDER NO.																		
Richards-Wilcox CANADA INC. TORONTO, ONTARIO										DRAWN				SCALE		NTS		
										CHECKED				DRAWING NO.				
										APPROVED				SHEET NO.				