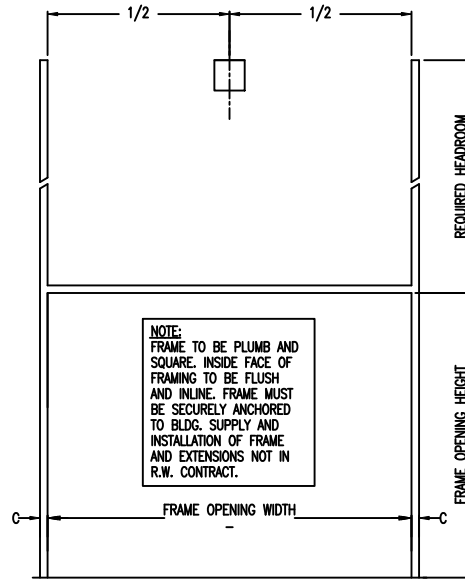
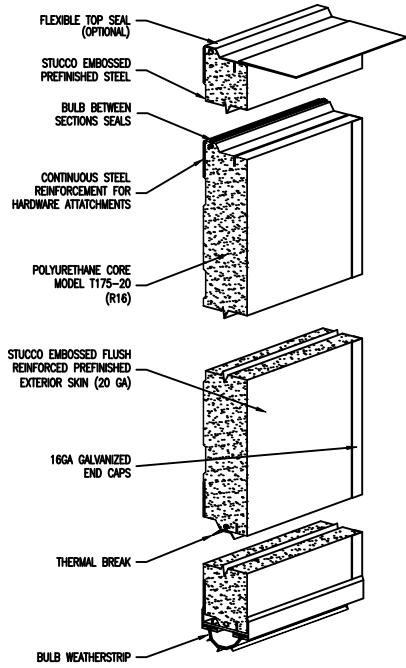
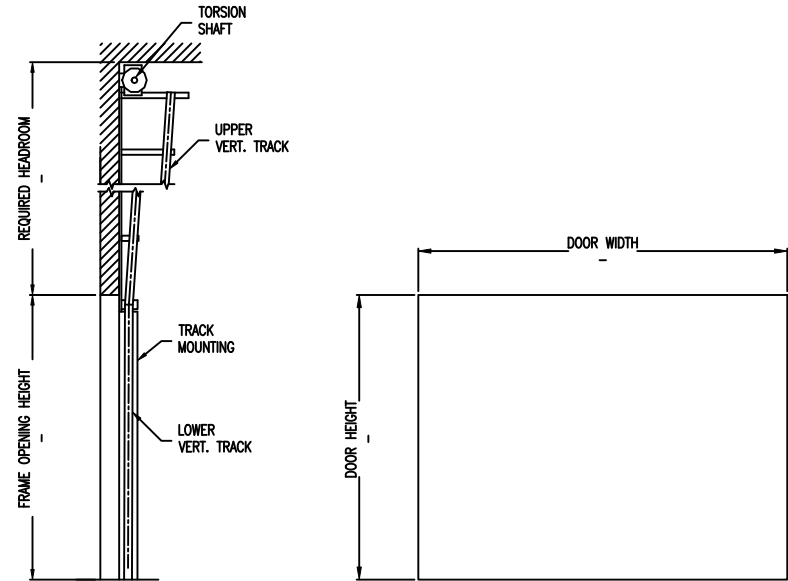


THERMATITE T175-20



INTERIOR ELEVATION OF FRAMING BY OTHERS

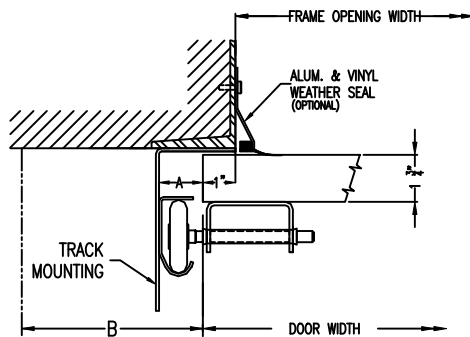
ISSUE NO.	REV. LET.	ISSUES OR REVISIONS	DATE	BY	APP.
1					



CROSS SECTION

EXTERIOR ELEVATION

NOTE:



STEEL JAMB DETAILS

DOOR WIDTH		ADCA	A	B	C	TRUSSING	WIND LOAD
DOOR HEIGHT		2"	1 1/2"	3 1/2"	2 1/2"		
FRAME OPENING WIDTH		3"	2"	4"	3"	OPTIONS	
FRAME OPENING HEIGHT		LOWER VERTICAL TRACK					
HEADROOM REQ'D.		UPPER VERTICAL TRACK					
TRACK MOUNTING	<input type="checkbox"/> ADCA <input type="checkbox"/> BRACKET	LITES					

TITLE THERMATITE T175-20 DOOR C/W ___" VERTICAL LIFT HARDWARE			
CLIENT			
SETS REQUIRED			
CLIENT'S ORDER NO.		R-W ORDER NO.	
<p>Richards-Wilcox</p> <p>CANADA INC.</p> <p>TORONTO, ONTARIO</p>	DRAWN		SCALE
	CHECKED		DRAWING NO.
	APPROVED		SHEET NO.