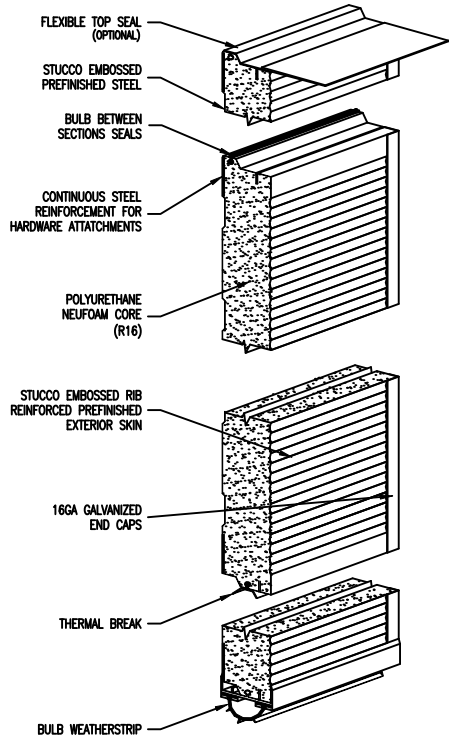
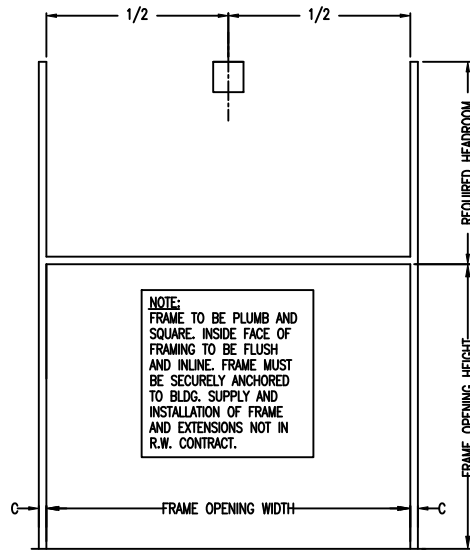


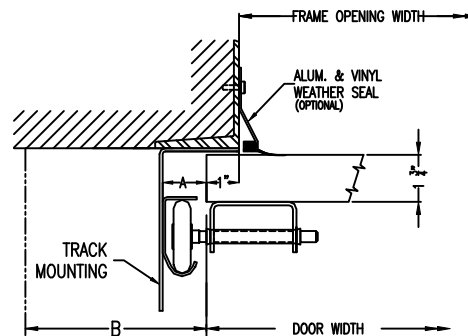
THERMATITE T175-MR



NOTE:

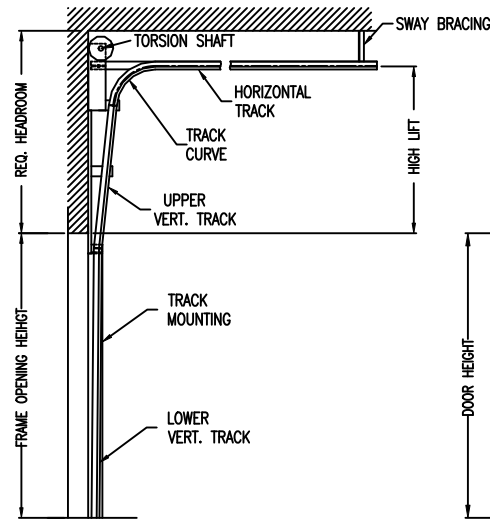


INTERIOR ELEVATION OF FRAMING BY OTHERS



STEEL JAMB DETAILS

ISSUE NO.	REV. LET.	ISSUES OR REVISIONS	DATE	BY	APP.
1					



CROSS SECTION

EXTERIOR ELEVATION

DOOR WIDTH	DOOR HEIGHT	FRAME OPENING WIDTH	FRAME OPENING HEIGHT	HIGH LIFT	HEADROOM REQ'D.	TRACK MOUNTING	ADCA	BRACKET	ADCA	A	B	C	TRUSSING	WIND LOAD
							<input type="checkbox"/>	<input type="checkbox"/>	2"	1 1/2"	3 1/2"	2 1/2"		
									3"	2"	4"	3"		
									LOWER VERTICAL TRACK				OPTIONS	
									UPPER VERTICAL TRACK					
									HORIZONTAL TRACK ___" RADIUS					
									LITES					

TITLE THERMATITE T175-MR DOOR C/W ___" HIGH LIFT HARDWARE					
CLIENT					
SETS REQUIRED			TAG		
CLIENT'S ORDER NO.			R-W ORDER NO.		
Richards-Wilcox CANADA INC. TORONTO, ONTARIO		DRAWN		SCALE	NTS
		CHECKED		DRAWING NO.	
		APPROVED		SHEET NO.	