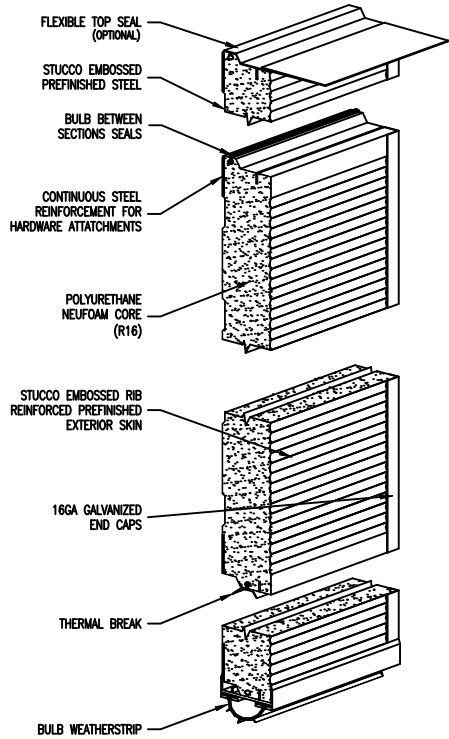
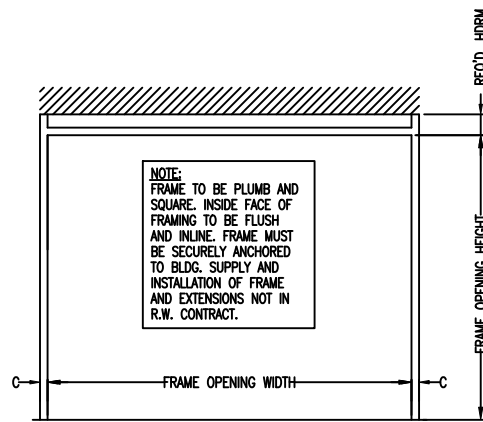


# THERMATITE T175-MR

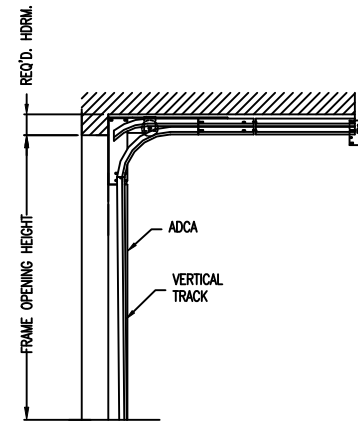


NOTE:

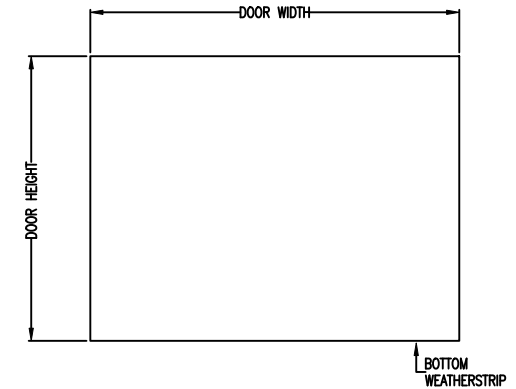
ISSUE NO.	REV. LET.	ISSUES OR REVISIONS	DATE	BY	APP.
1					



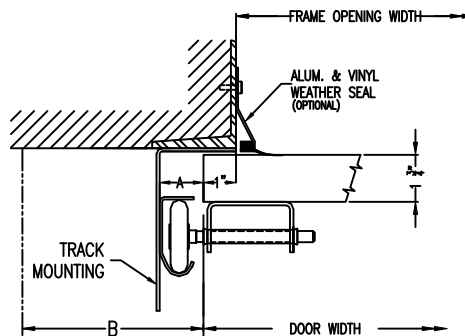
INTERIOR ELEVATION OF FRAMING BY OTHERS



CROSS SECTION



EXTERIOR ELEVATION



STEEL JAMB DETAILS

DOOR WIDTH	
DOOR HEIGHT	
FRAME OPENING WIDTH	
FRAME OPENING HEIGHT	
HEADROOM REQ'D.	
TRACK MOUNTING	<input type="checkbox"/> ADCA <input type="checkbox"/> BRACKET

ADCA	A	B	C
2"	1 1/2"	3 1/2"	2 1/2"
3"	2"	4"	3"
VERTICAL TRACK			
HORIZONTAL TRACK			
LITES			

TRUSSING	WIND LOAD
OPTIONS	

TITLE THERMATITE T175-MR DOOR C/W ___" LOW HEADROOM REAR MOUNT HARDWARE					
CLIENT					
SETS REQUIRED			TAG		
CLIENT'S ORDER NO.			R-W ORDER NO.		
<p>Richards-Wilcox</p> <p>CANADA INC.</p> <p>TORONTO, ONTARIO</p>		DRAWN		SCALE	NTS
		CHECKED		DRAWING NO.	
		APPROVED		SHEET NO.	