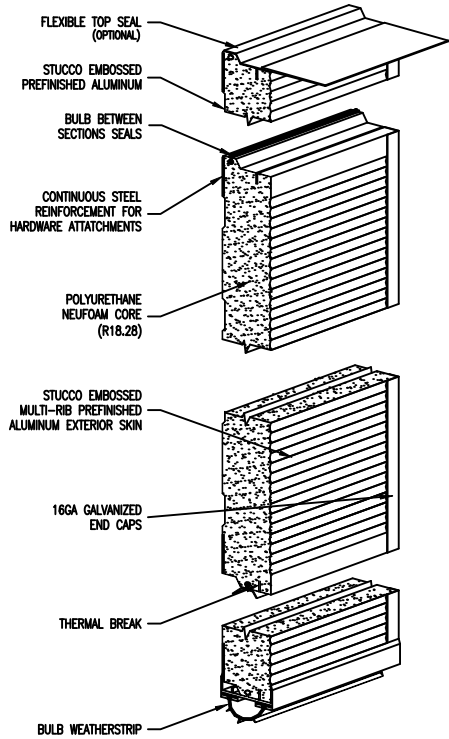
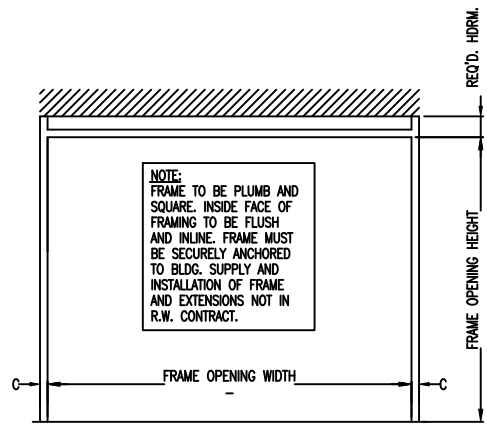


THERMATITE T200A-MR

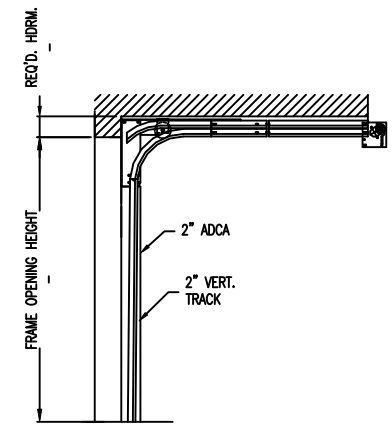


NOTE:

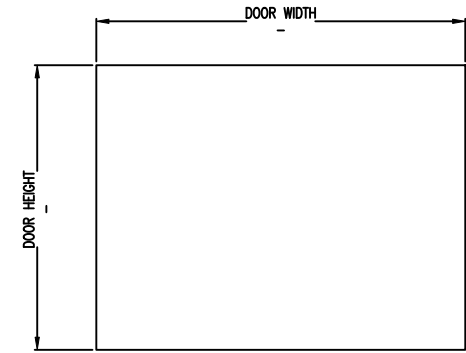


INTERIOR ELEVATION OF FRAMING BY OTHERS

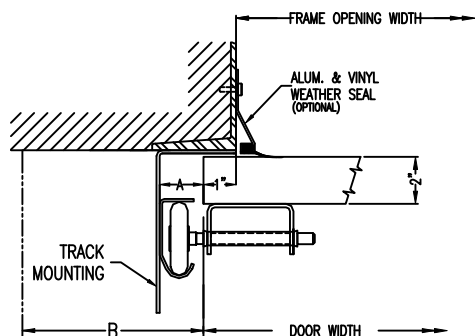
ISSUE NO.	REV. LET.	ISSUES OR REVISIONS	DATE	BY	APP.
1					



CROSS SECTION



EXTERIOR ELEVATION



STEEL JAMB DETAILS

DOOR WIDTH	
DOOR HEIGHT	
FRAME OPENING WIDTH	
FRAME OPENING HEIGHT	
HEADROOM REQ'D.	
TRACK MOUNTING	<input type="checkbox"/> ADCA <input type="checkbox"/> BRACKET

ADCA	A	B	C
2"	1 1/2"	3 1/2"	2 1/2"
3"	2"	4"	3"

VERTICAL TRACK	
HORIZONTAL TRACK	
LITES	

TRUSSING	WIND LOAD
OPTIONS	

TITLE THERMATITE T200A-MR DOOR C/W ___" LOW HEADROOM REAR MOUNT HARDWARE

CLIENT _____

SETS REQUIRED _____

CLIENT'S ORDER NO. _____ R-W ORDER NO. _____

Richards-Wilcox CANADA INC. (A DIVISION OF RAYNOR CANADA INC.) TORONTO, ONTARIO	DRAWN		SCALE	
	CHECKED		DRAWING NO.	
	APPROVED		SHEET NO.	