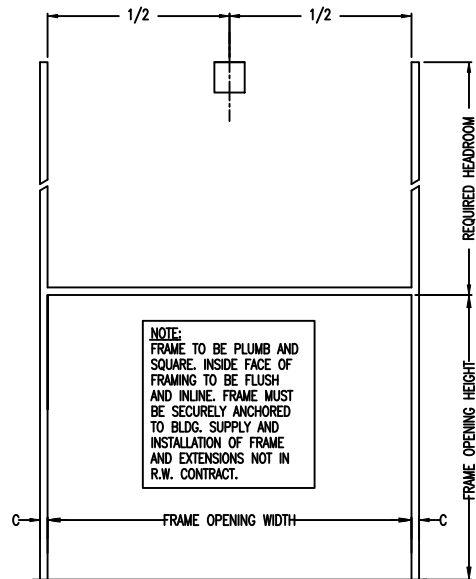
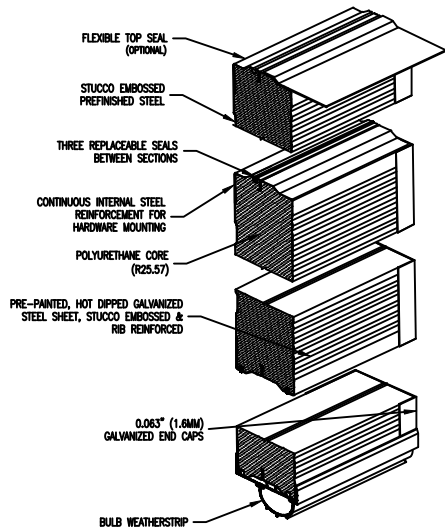


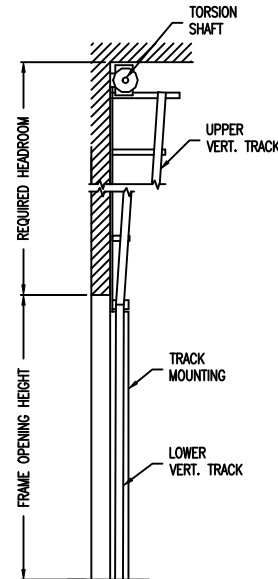
THERMATITE T300-MR



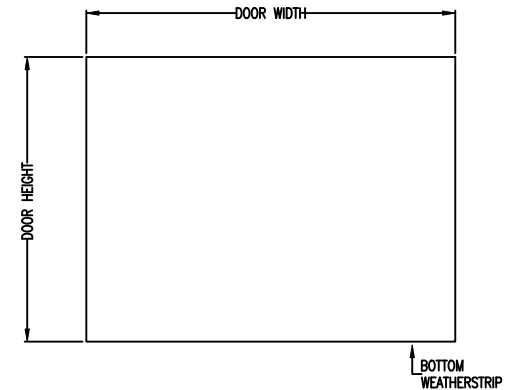
NOTE:
FRAME TO BE PLUMB AND SQUARE. INSIDE FACE OF FRAMING TO BE FLUSH AND IN LINE. FRAME MUST BE SECURELY ANCHORED TO BLDG. SUPPLY AND INSTALLATION OF FRAME AND EXTENSIONS NOT IN R.W. CONTRACT.

INTERIOR ELEVATION OF FRAMING BY OTHERS

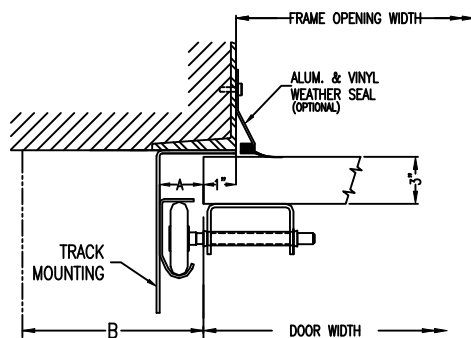
ISSUE NO.	REV. LET.	ISSUES OR REVISIONS	DATE	BY	APP.
1					



CROSS SECTION



EXTERIOR ELEVATION



STEEL JAMB DETAILS

DOOR WIDTH		ADCA	A	B	C	TRUSSING	WIND LOAD
DOOR HEIGHT		2"	1 1/2"	3 1/2"	2 1/2"		
FRAME OPENING WIDTH		3"	2"	4"	3"	OPTIONS	
FRAME OPENING HEIGHT		LOWER VERTICAL TRACK					
HEADROOM REQ'D.		UPPER VERTICAL TRACK					
TRACK MOUNTING	<input type="checkbox"/> ADCA <input type="checkbox"/> BRACKET	LITES					

TITLE THERMATITE T300-MR DOOR C/W ___" VERTICAL LIFT HARDWARE							
CLIENT							
SETS REQUIRED				TAG			
CLIENT'S ORDER NO.				R-W ORDER NO.			
Richards-Wilcox CANADA INC. TORONTO, ONTARIO				DRAWN		SCALE	NTS
				CHECKED		DRAWING NO.	
				APPROVED		SHEET NO.	