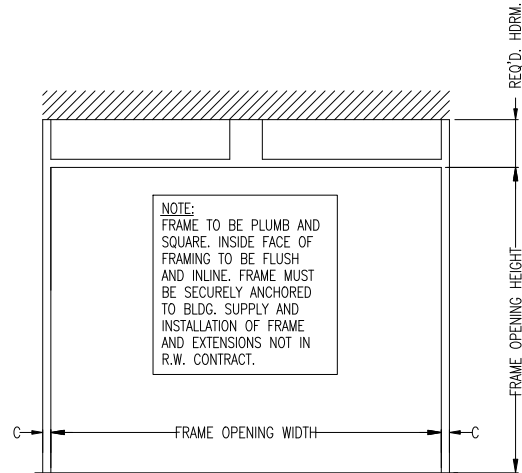
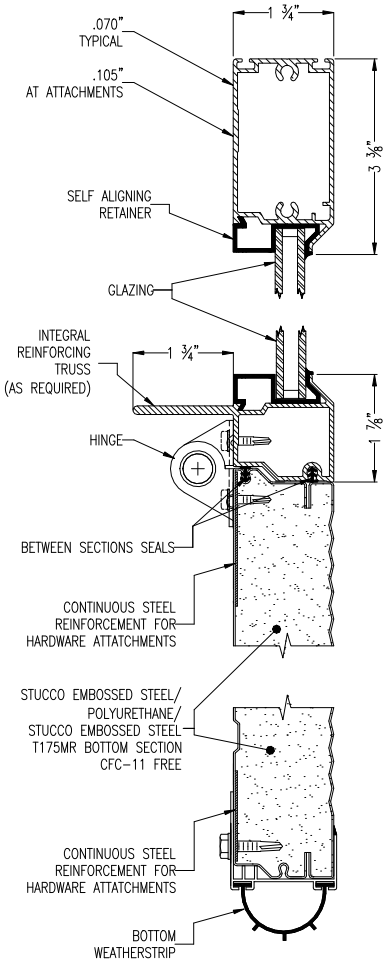
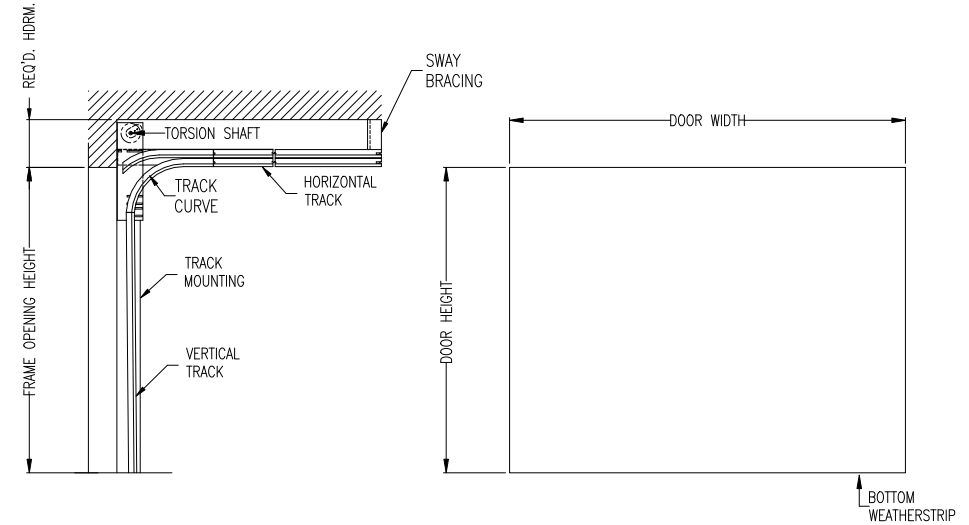


ISSUE NO.	REV. LET.	ISSUES OR REVISIONS	DATE	BY	APP.
1					



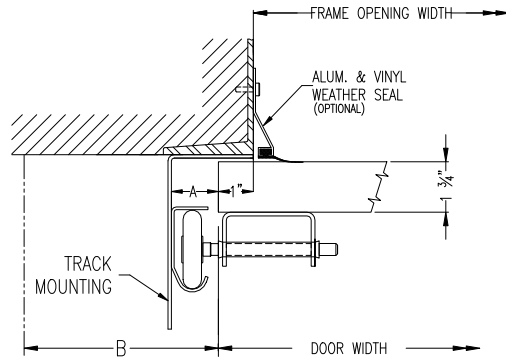
NOTE:  
FRAME TO BE PLUMB AND SQUARE. INSIDE FACE OF FRAMING TO BE FLUSH AND INLINE. FRAME MUST BE SECURELY ANCHORED TO BLDG. SUPPLY AND INSTALLATION OF FRAME AND EXTENSIONS NOT IN R.W. CONTRACT.



INTERIOR ELEVATION OF FRAMING BY OTHERS

CROSS SECTION

EXTERIOR ELEVATION



STEEL JAMB DETAILS

DOOR WIDTH		ADCA	A	B	C	TRUSSING	WIND LOAD
DOOR HEIGHT		2"	1 1/2"	3 1/2"	2 1/2"		
FRAME OPENING WIDTH		3"	2"	4"	3"	OPTIONS	
FRAME OPENING HEIGHT		VERTICAL TRACK					
HEADROOM REQ'D.		HORIZONTAL TRACK					
TRACK MOUNTING	<input type="checkbox"/> ADCA <input type="checkbox"/> BRACKET	LITES					

TITLE ALUMATITE A175T DOOR C/W ___" LOW HEADROOM FRONT MOUNT HARDWARE			
CLIENT			
SETS REQUIRED		TAG	
CLIENT'S ORDER NO.		R-W ORDER NO.	

Richards-Wilcox  
CANADA INC.  
TORONTO, ONTARIO

DRAWN		SCALE	NTS
CHECKED		DRAWING NO.	
APPROVED		SHEET NO.	