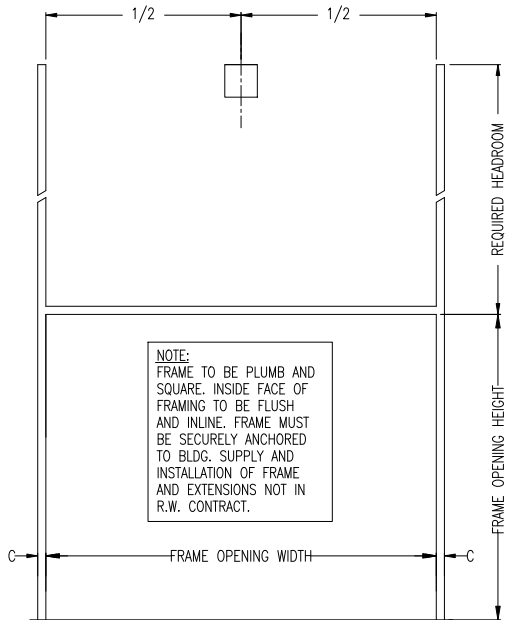
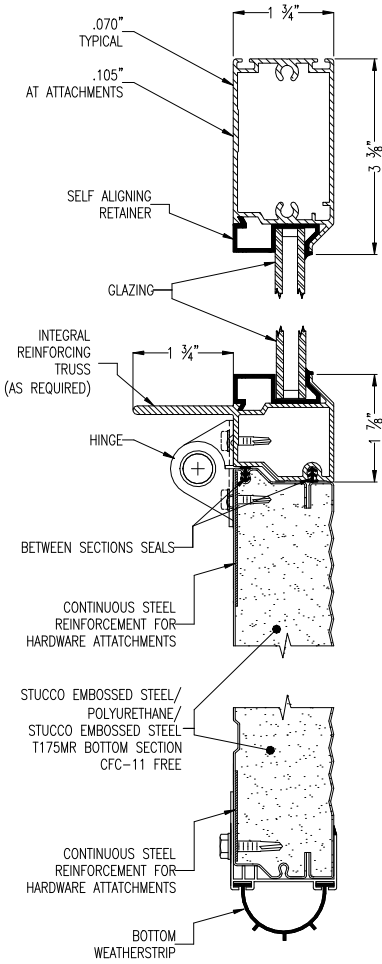
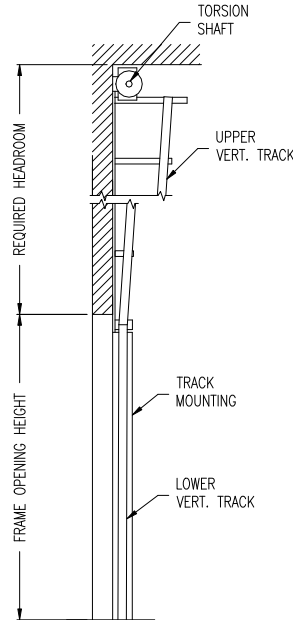


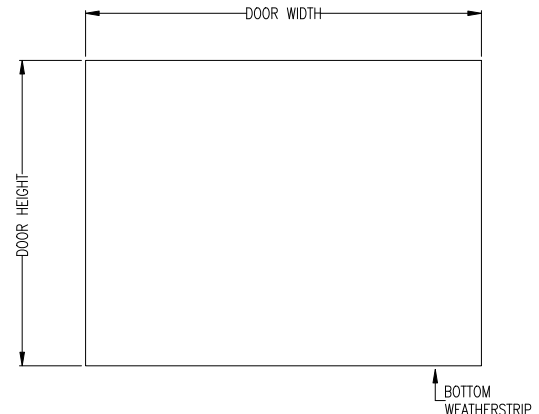
ISSUE NO.	REV. LET.	ISSUES OR REVISIONS	DATE	BY	APP.
1					



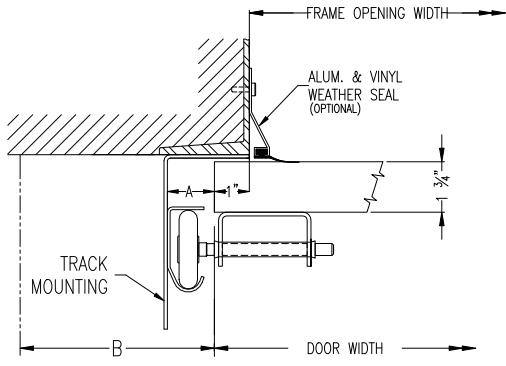
INTERIOR ELEVATION OF FRAMING BY OTHERS



CROSS SECTION



EXTERIOR ELEVATION



STEEL JAMB DETAILS

DOOR WIDTH		ADCA	A	B	C
DOOR HEIGHT		2"	1 1/2"	3 1/2"	2 1/2"
FRAME OPENING WIDTH		3"	2"	4"	3"
FRAME OPENING HEIGHT		LOWER VERTICAL TRACK			
HEADROOM REQ'D.		UPPER VERTICAL TRACK			
TRACK MOUNTING	<input type="checkbox"/> ADCA <input type="checkbox"/> BRACKET	LITES			

TRUSSING	WIND LOAD
OPTIONS	

TITLE ALUMATITE A175T DOOR C/W \_\_\_" VERTICAL LIFT HARDWARE

CLIENT \_\_\_\_\_

SETS REQUIRED \_\_\_\_\_ TAG \_\_\_\_\_

CLIENT'S ORDER NO. \_\_\_\_\_ R-W ORDER NO. \_\_\_\_\_

Richards-Wilcox  
CANADA INC.  
TORONTO, ONTARIO

DRAWN		SCALE	NTS
CHECKED		DRAWING NO.	
APPROVED		SHEET NO.	