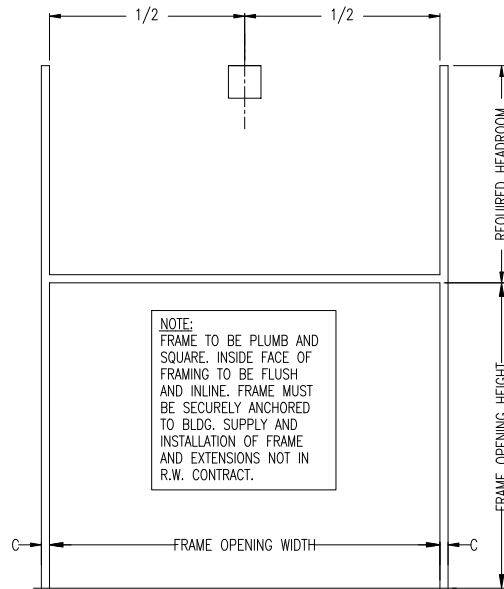
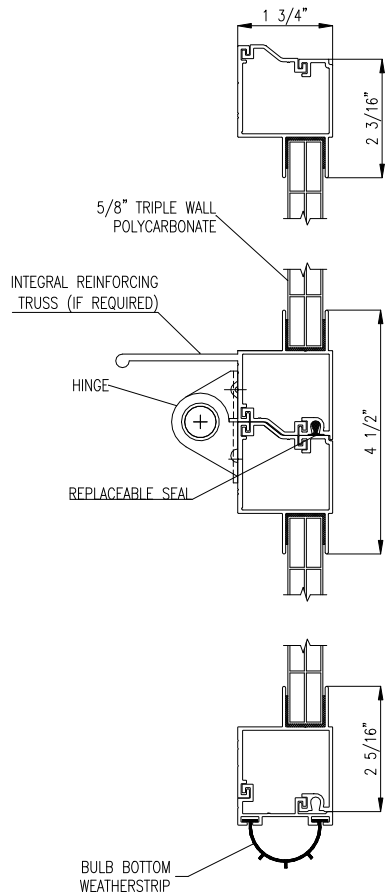
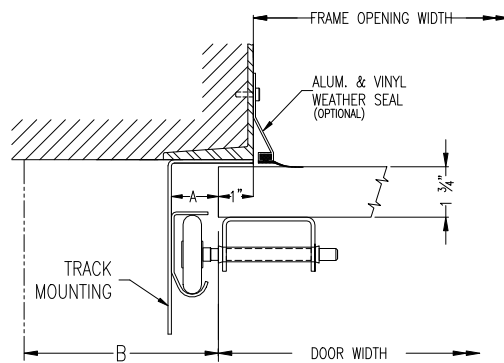


# POLYTITE P175



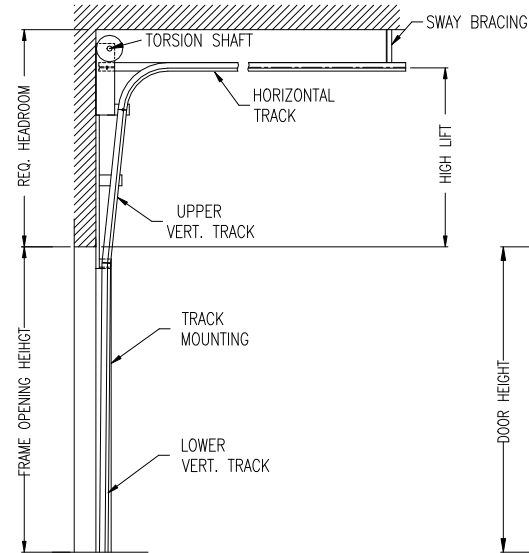
NOTE:  
FRAME TO BE PLUMB AND SQUARE. INSIDE FACE OF FRAMING TO BE FLUSH AND INLINE. FRAME MUST BE SECURELY ANCHORED TO BLDG. SUPPLY AND INSTALLATION OF FRAME AND EXTENSIONS NOT IN R.W. CONTRACT.

INTERIOR ELEVATION OF FRAMING BY OTHERS

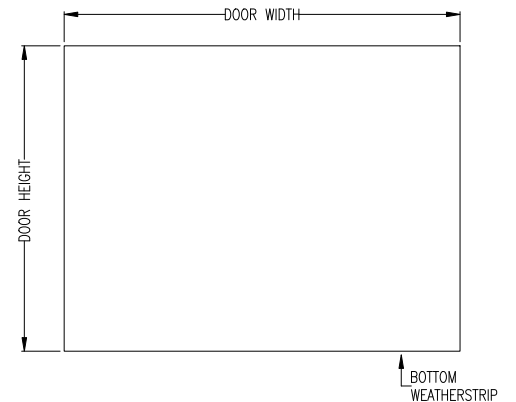


STEEL JAMB DETAILS

ISSUE NO.	REV. LET.	ISSUES OR REVISIONS	DATE	BY	APP.
1					



CROSS SECTION



EXTERIOR ELEVATION

DOOR WIDTH		ADCA	A	B	C	TRUSSING	WIND LOAD
DOOR HEIGHT		2"	1 1/2"	3 1/2"	2 1/2"		
FRAME OPENING WIDTH		3"	2"	4"	3"	OPTIONS	
FRAME OPENING HEIGHT		LOWER VERTICAL TRACK					
HIGH LIFT		UPPER VERTICAL TRACK					
HEADROOM REQ'D.		HORIZONTAL TRACK ___" RADIUS					
TRACK MOUNTING	<input type="checkbox"/> ADCA <input type="checkbox"/> BRACKET	LITES					

TITLE	POLYTITE P175 DOOR C/W ___" HIGH LIFT HARDWARE				
CLIENT					
SETS REQUIRED	TAG				
CLIENT'S ORDER NO.	R-W ORDER NO.				

Richards-Wilcox CANADA INC. TORONTO, ONTARIO	DRAWN		SCALE	NTS
	CHECKED		DRAWING NO.	
	APPROVED		SHEET NO.	