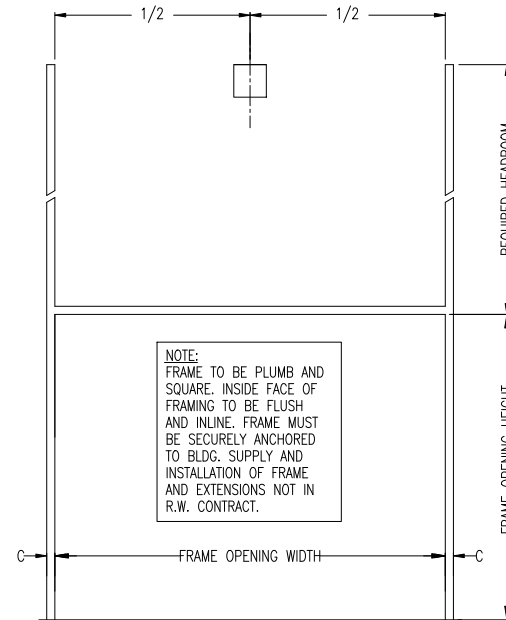
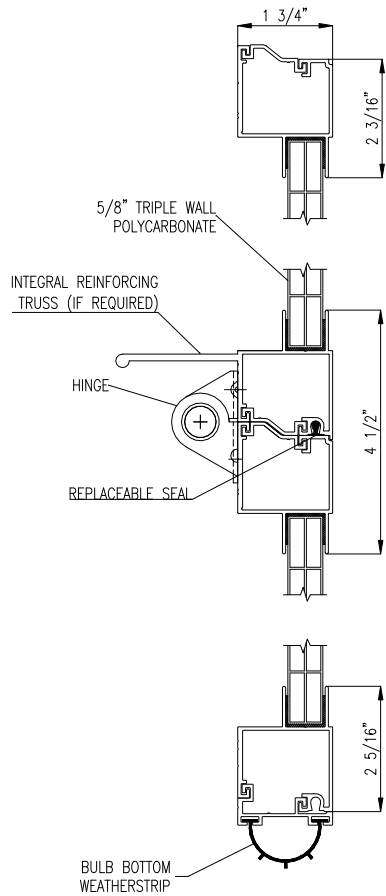
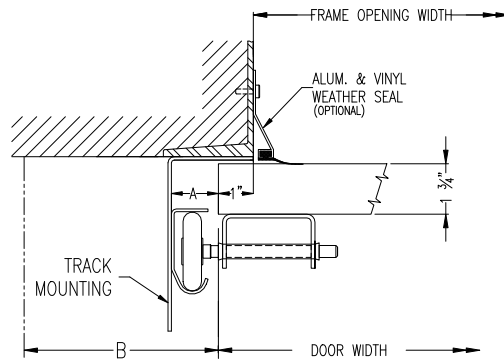


POLYTITE P175



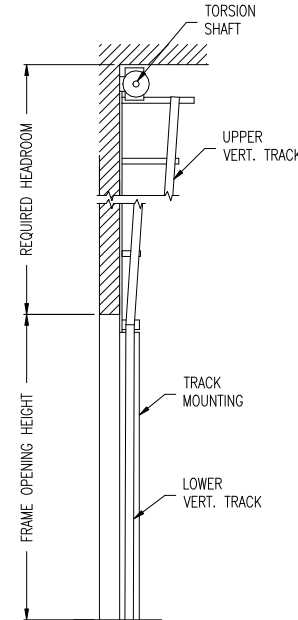
INTERIOR ELEVATION OF FRAMING BY OTHERS



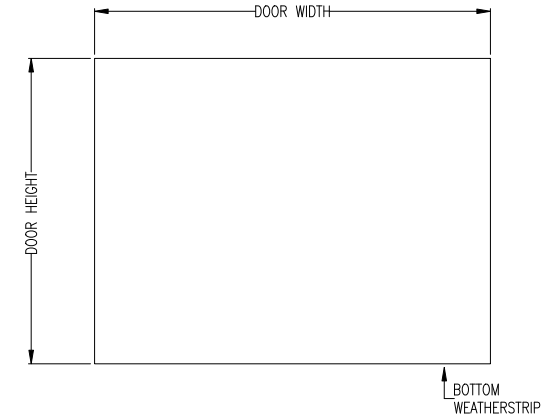
STEEL JAMB DETAILS

NOTE:
FRAME TO BE PLUMB AND SQUARE. INSIDE FACE OF FRAMING TO BE FLUSH AND INLINE. FRAME MUST BE SECURELY ANCHORED TO BLDG. SUPPLY AND INSTALLATION OF FRAME AND EXTENSIONS NOT IN R.W. CONTRACT.

ISSUE NO.	REV. LET.	ISSUES OR REVISIONS	DATE	BY	APP.
1					



CROSS SECTION



EXTERIOR ELEVATION

DOOR WIDTH		ADCA	A	B	C
DOOR HEIGHT		2"	1 1/2"	3 1/2"	2 1/2"
FRAME OPENING WIDTH		3"	2"	4"	3"
FRAME OPENING HEIGHT		LOWER VERTICAL TRACK			
HEADROOM REQ'D.		UPPER VERTICAL TRACK			
TRACK MOUNTING	<input type="checkbox"/> ADCA <input type="checkbox"/> BRACKET	LITES			

TRUSSING	WIND LOAD
OPTIONS	

TITLE POLYTITE P175 DOOR C/W ___" VERTICAL LIFT HARDWARE

CLIENT _____

SETS REQUIRED _____ TAG _____

CLIENT'S ORDER NO. _____ R-W ORDER NO. _____

Richards-Wilcox
CANADA INC.
TORONTO, ONTARIO

DRAWN		SCALE	NTS
CHECKED		DRAWING NO.	
APPROVED		SHEET NO.	