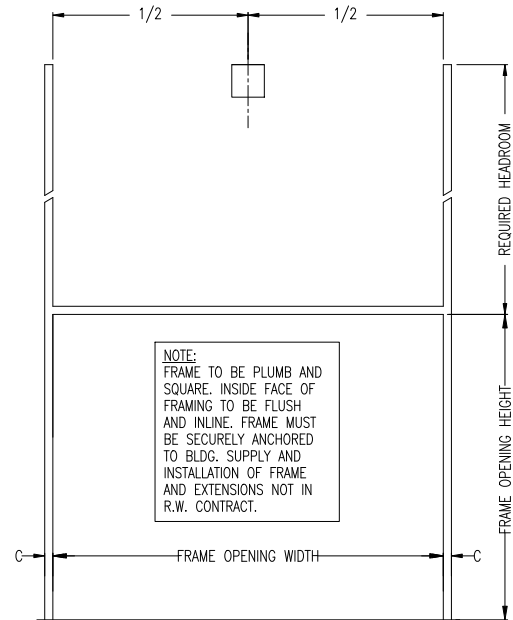
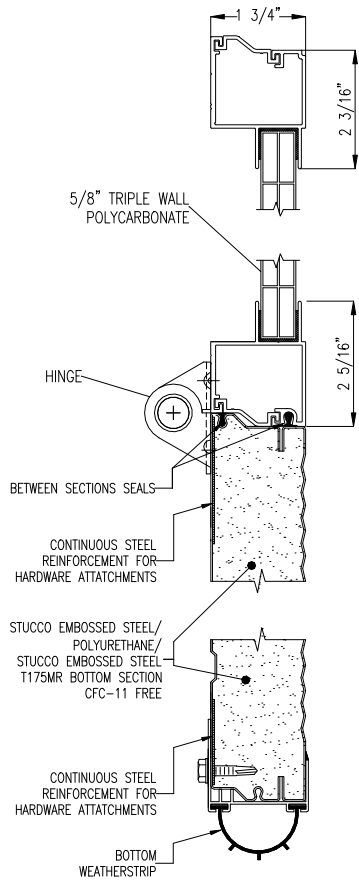
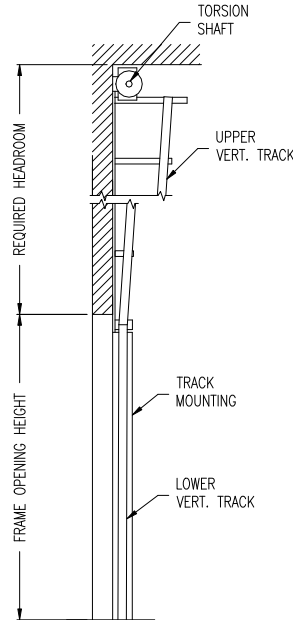


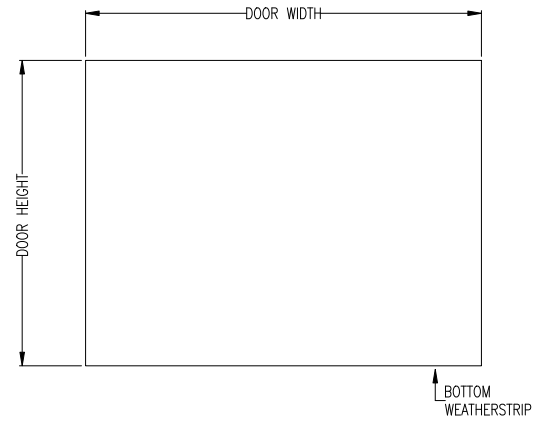
# POLYTITE P175T



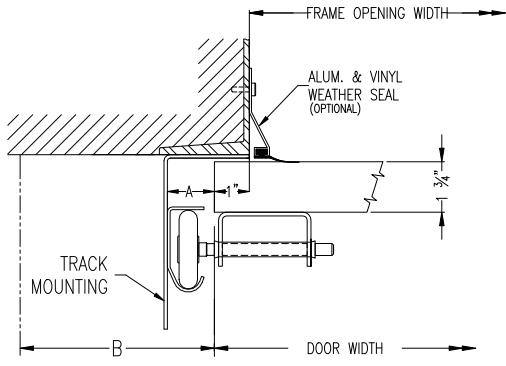
INTERIOR ELEVATION OF FRAMING BY OTHERS



CROSS SECTION



EXTERIOR ELEVATION



STEEL JAMB DETAILS

ISSUE NO.	REV. LET.	ISSUES OR REVISIONS	DATE	BY	APP.
1					

DOOR WIDTH	
DOOR HEIGHT	
FRAME OPENING WIDTH	
FRAME OPENING HEIGHT	
HEADROOM REQ'D.	
TRACK MOUNTING	<input type="checkbox"/> ADCA <input type="checkbox"/> BRACKET

ADCA	A	B	C
2"	1 1/2"	3 1/2"	2 1/2"
3"	2"	4"	3"
LOWER VERTICAL TRACK			
UPPER VERTICAL TRACK			
LITES			

TRUSSING	WIND LOAD
OPTIONS	

TITLE POLYTITE P175T DOOR C/W \_\_\_" VERTICAL LIFT HARDWARE

CLIENT

SETS REQUIRED TAG

CLIENT'S ORDER NO. R-W ORDER NO.

Richards-Wilcox CANADA INC. TORONTO, ONTARIO	DRAWN		SCALE	NTS
	CHECKED		DRAWING NO.	
	APPROVED		SHEET NO.	