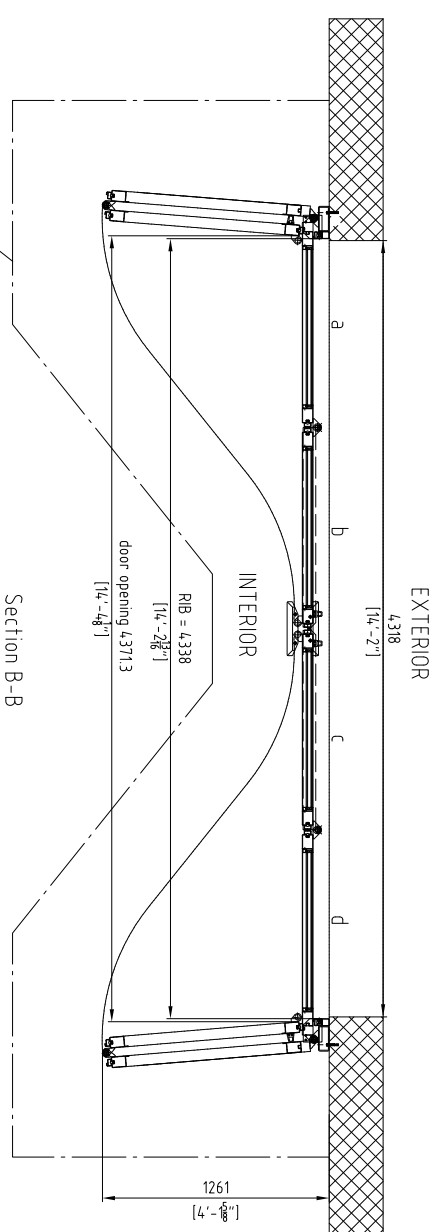
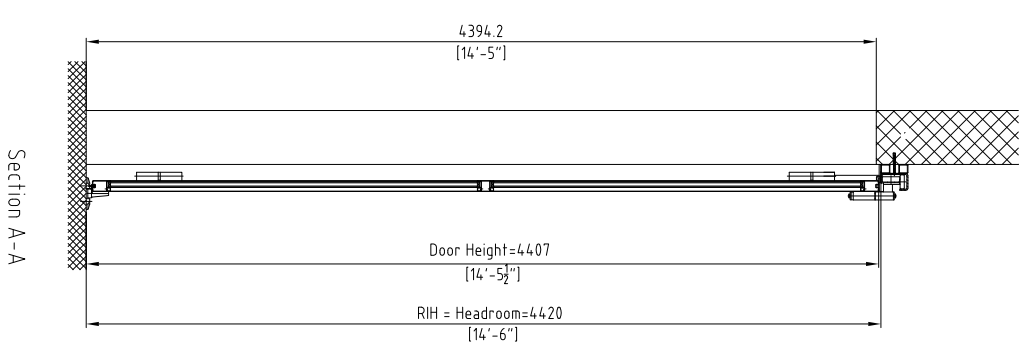
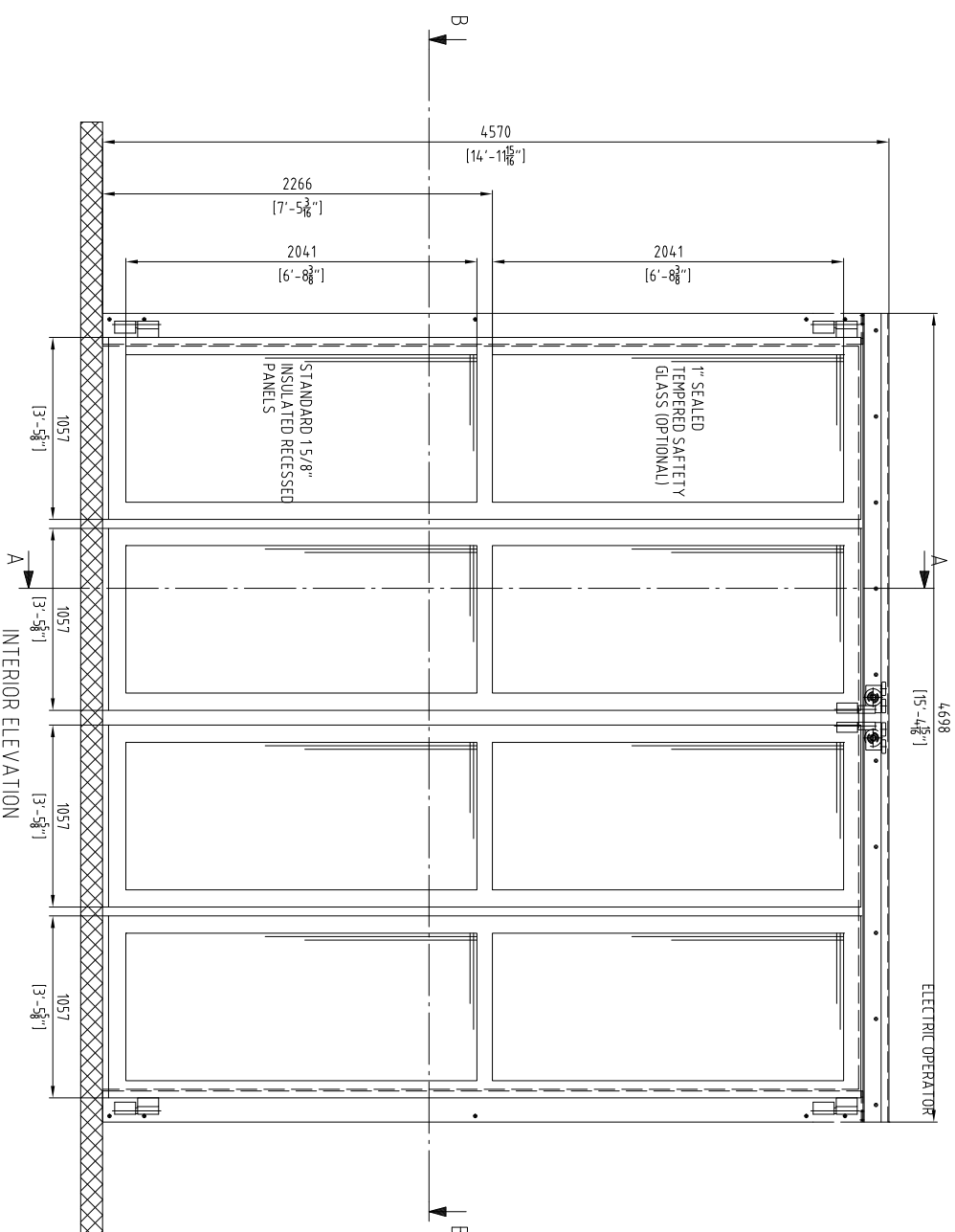


REV.	ISSUES OR REVISIONS	DATE	BY	APP.
1	FOR APPROVAL			

View from inside



-> Minimum safety distance to door
-> This area must remain free at any time after installation

- Wind load 20psf, deflection ratio 1/120.
- Tubular steel construction, Sections tubular members filled with (optional) mineral wool.
- Primer coating.
- Powder finish coating, advise colour from RAL standard chart.
- Clear anodized Aluminum glass retainers.
- pull handle and locking mechanism on interior

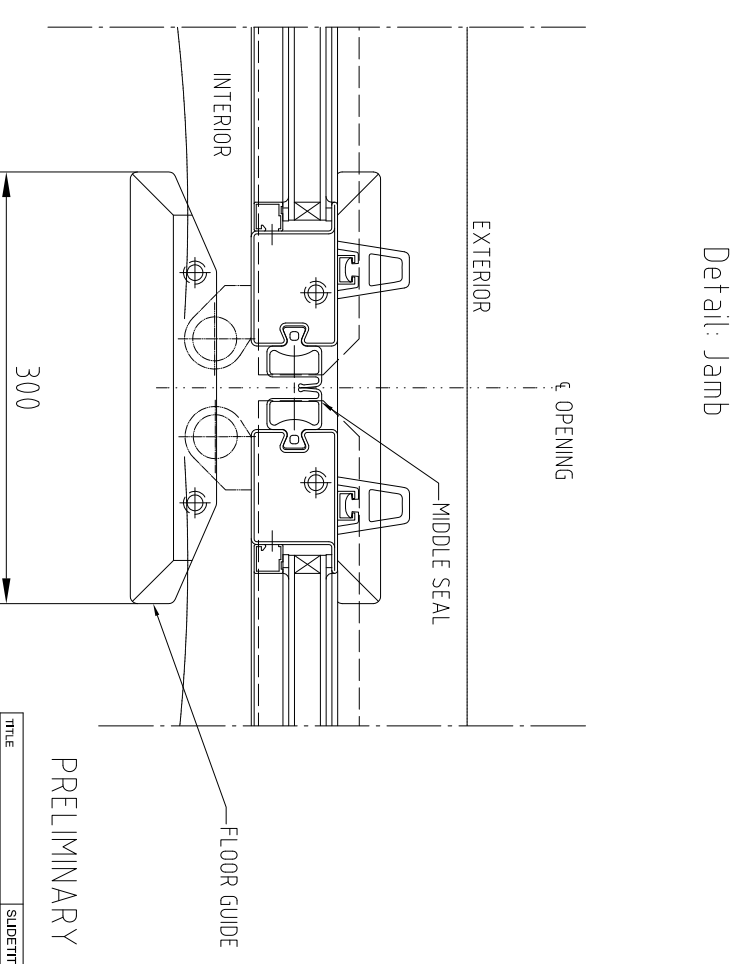
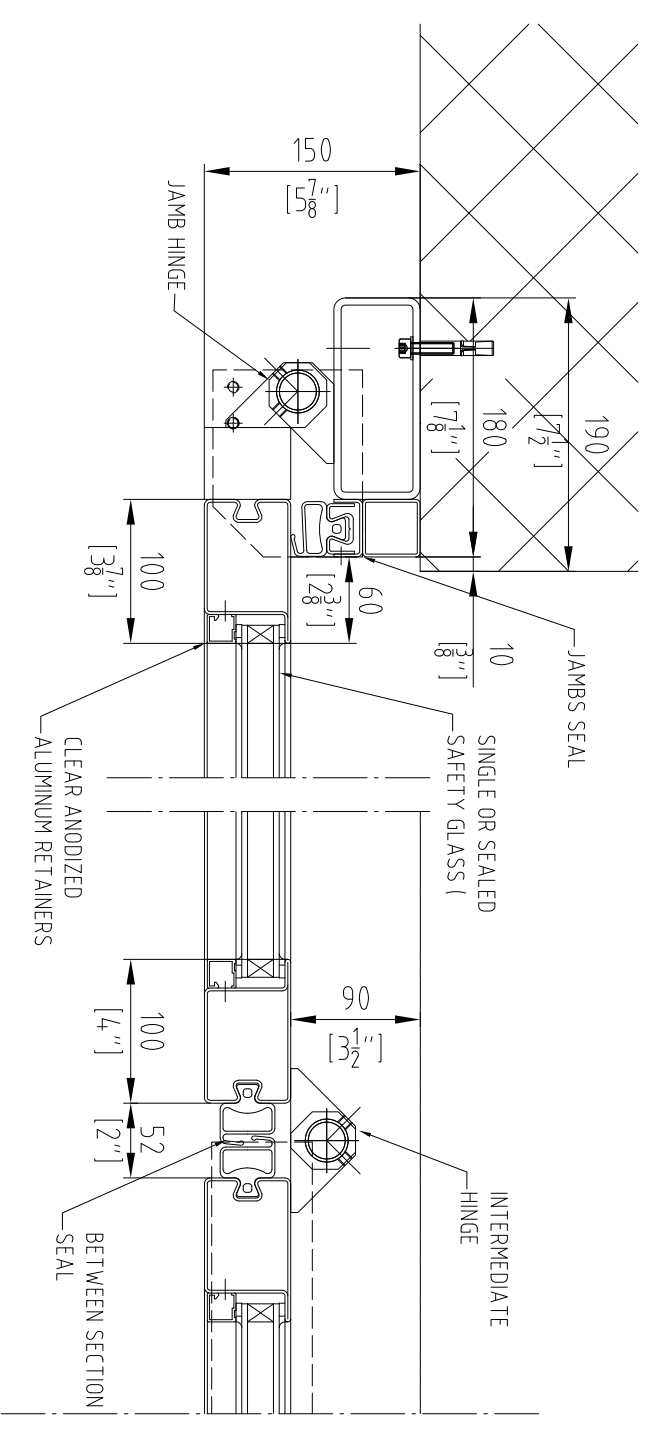
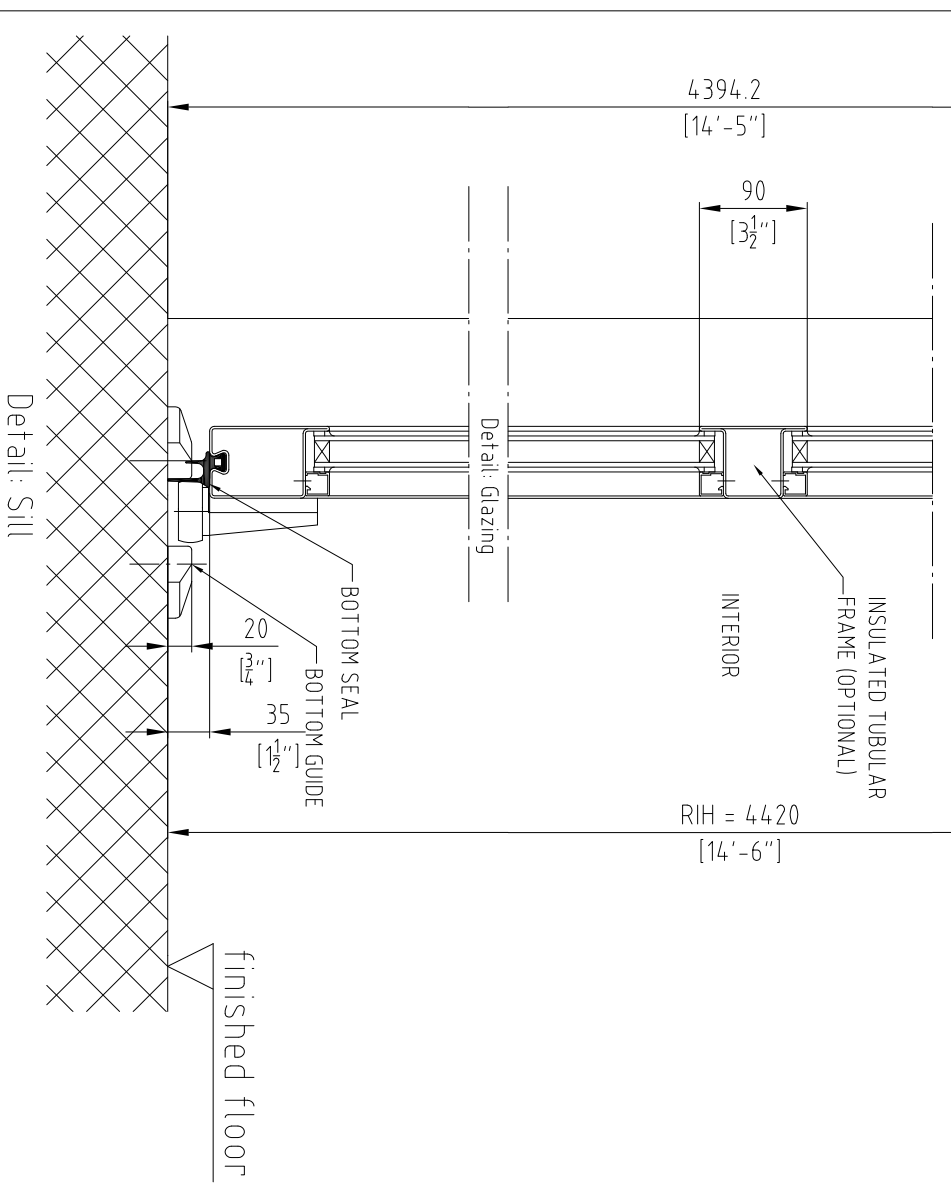
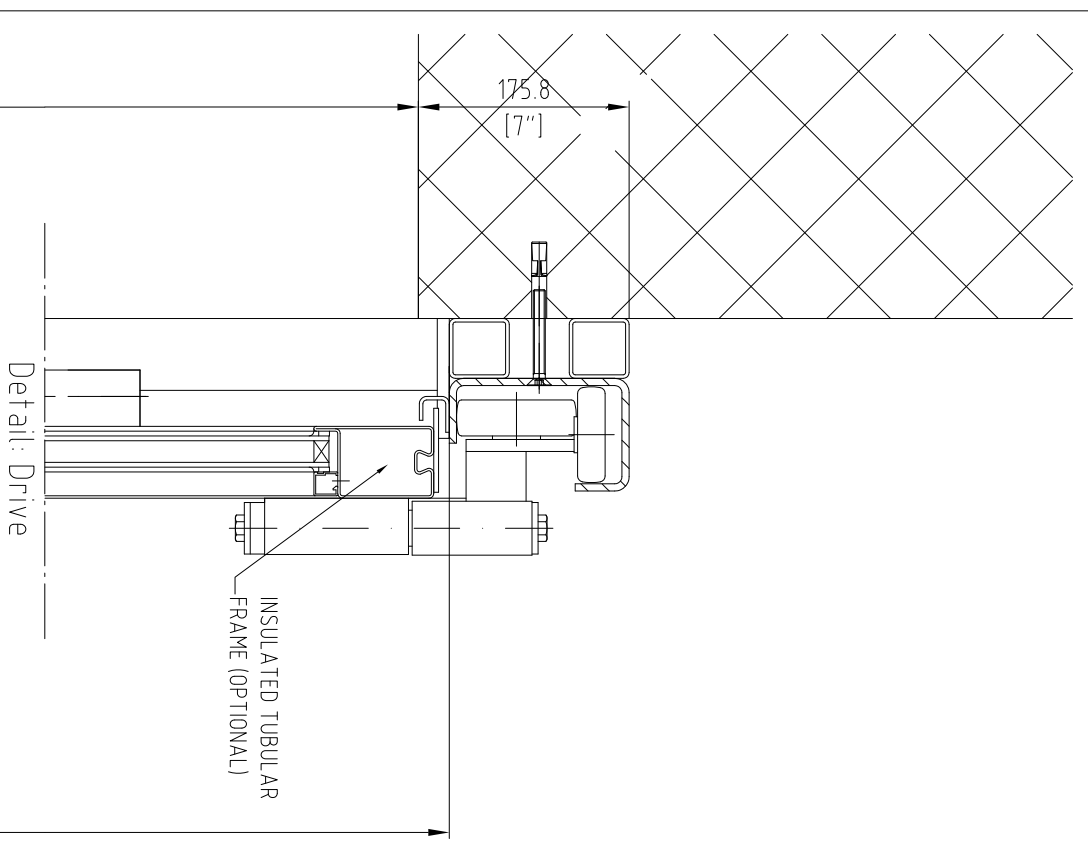
PRELIMINARY

TITLE	SUDETITE DOOR MODEL "MFD238" MANUAL OPERATION
CLIENT	XXX
PROJECT	XXX
ARCHITECT	XXX
CONTRACTOR	XXX
SETS REQUIRED	XXXX (X)
DRAWN	XXXX
CHECKED	XXXX
APPROVED	XXXX

Richards - Wilcox
CANADA INC.
TORONTO, ONTARIO

DRAWN	XXXX	XX-XXX-XXXX	SCALE	NTS
CHECKED			DWG.#.	XXXXX.
APPROVED			SHEET #.	1 of 2.

REV.	DATE	ISSUES OR REVISIONS	DATE	BY	APP.
1		FOR APPROVAL			



Detail: Between Sections

PRELIMINARY

TITLE	SLIDETITE DOOR MODEL "MFED23" MANUAL OPERATION				
CLIENT	XXX	DRAWN	XX	SCALE	NTS
PROJECT	XXX	CHECKED		DWG.#.	XX-XXX
ARCHITECT	XX	APPROVED		SHEET #.	2 of 2.
CONTRACTOR	XXX				
SETS REQUIRED	XXX (X)				
		RAW ORDER NO.	XXX		

Richards-Wilcox
CANADA INC.
TORONTO, ONTARIO