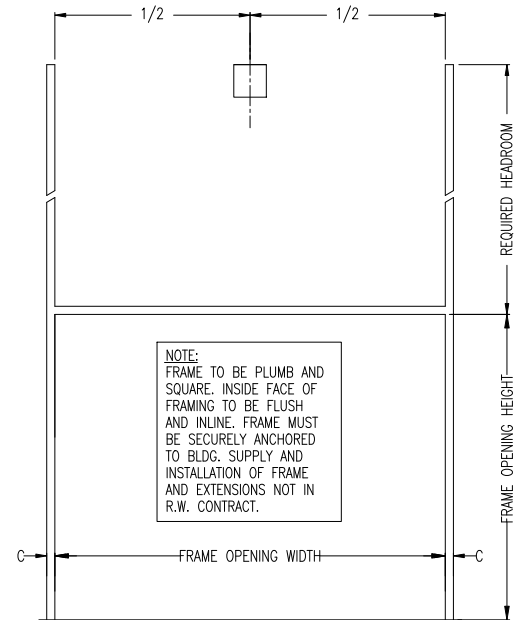
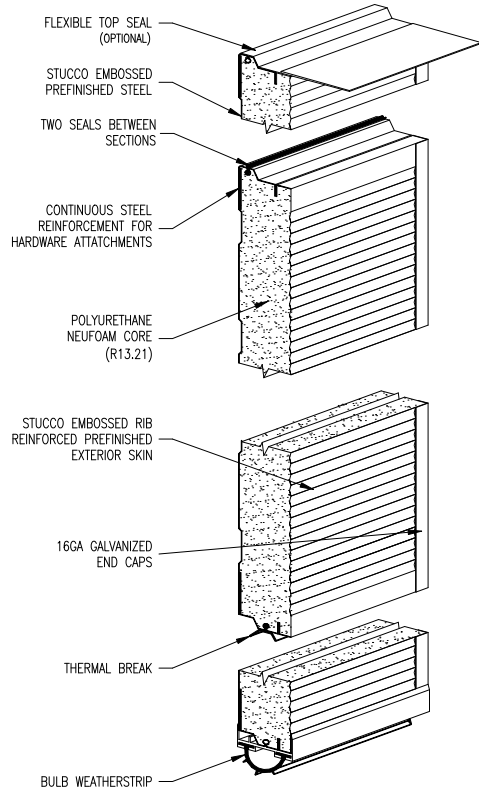
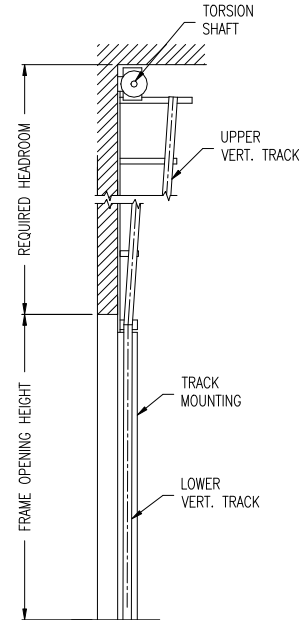


THERMATITE T150-MR

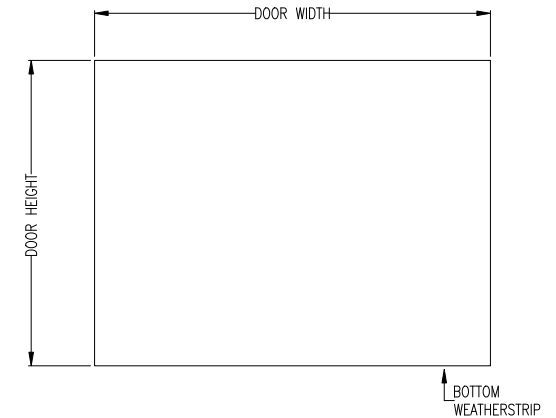


INTERIOR ELEVATION OF FRAMING BY OTHERS

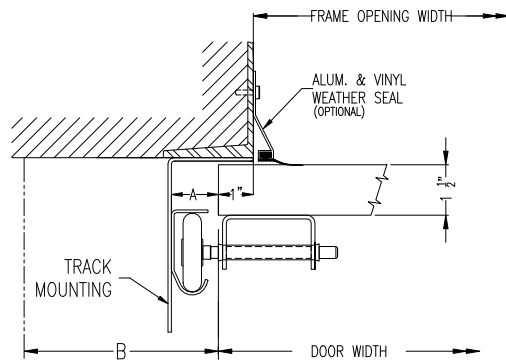
ISSUE NO.	REV. LET.	ISSUES OR REVISIONS	DATE	BY	APP.
1					



CROSS SECTION



EXTERIOR ELEVATION



STEEL JAMB DETAILS

DOOR WIDTH		ADCA	A	B	C
DOOR HEIGHT		2"	1 1/2"	3 1/2"	2 1/2"
FRAME OPENING WIDTH		3"	2"	4"	3"
FRAME OPENING HEIGHT		LOWER VERTICAL TRACK			
HEADROOM REQ'D.		UPPER VERTICAL TRACK			
TRACK MOUNTING	<input type="checkbox"/> ADCA <input type="checkbox"/> BRACKET	LITES			

TRUSSING	WIND LOAD
OPTIONS	

TITLE	THERMATITE T150-MR DOOR C/W ___" VERTICAL LIFT HARDWARE				
CLIENT					
SETS REQUIRED	TAG				
CLIENT'S ORDER NO.	R-W ORDER NO.				

Richards-Wilcox

CANADA INC.
TORONTO, ONTARIO

DRAWN		SCALE	NTS
CHECKED		DRAWING NO.	
APPROVED		SHEET NO.	