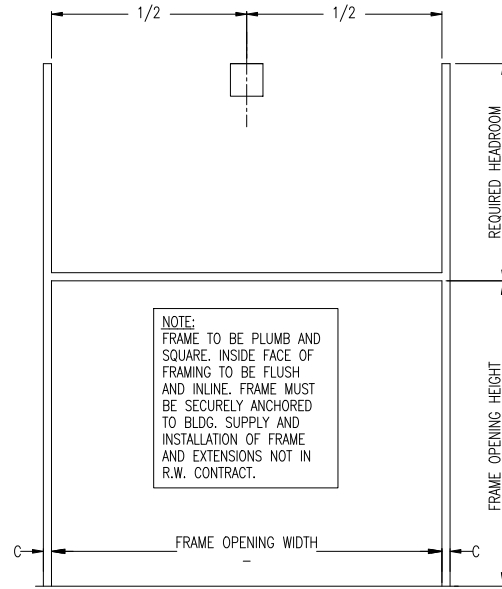
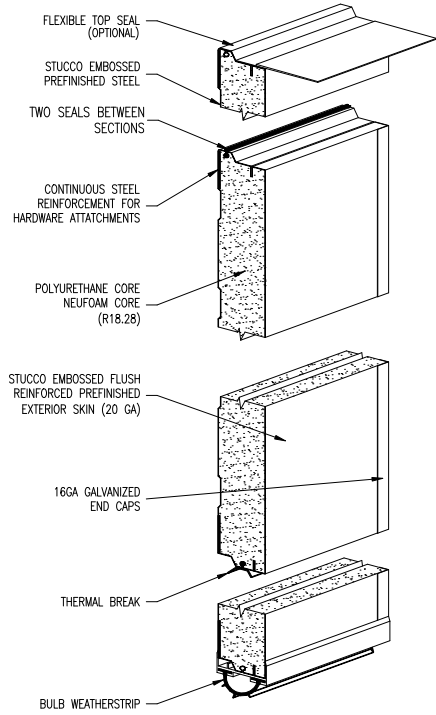


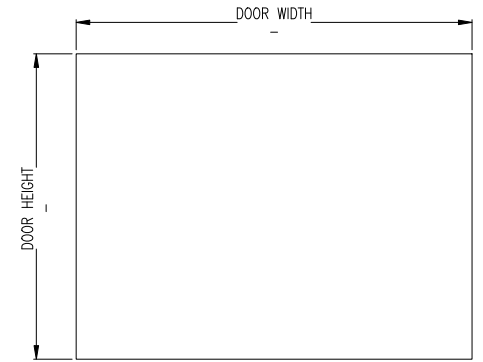
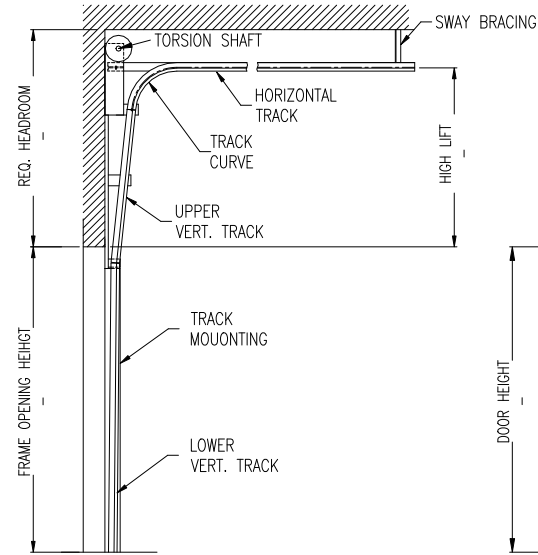
THERMATITE T200-20



NOTE:
FRAME TO BE PLUMB AND SQUARE. INSIDE FACE OF FRAMING TO BE FLUSH AND INLINE. FRAME MUST BE SECURELY ANCHORED TO BLDG. SUPPLY AND INSTALLATION OF FRAME AND EXTENSIONS NOT IN R.W. CONTRACT.

INTERIOR ELEVATION OF FRAMING BY OTHERS

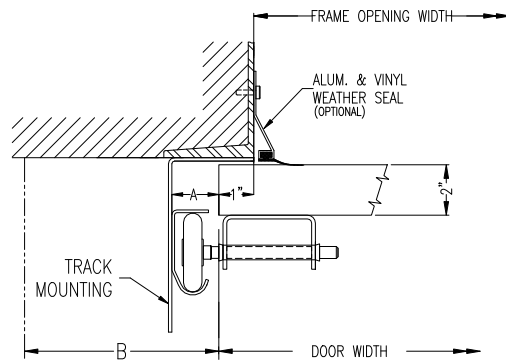
ISSUE NO.	REV. LET.	ISSUES OR REVISIONS	DATE	BY	APP.
1					



CROSS SECTION

EXTERIOR ELEVATION

NOTE:



STEEL JAMB DETAILS

DOOR WIDTH		ADCA	A	B	C	TRUSSING	WIND LOAD
DOOR HEIGHT		2"	1 1/2"	3 1/2"	2 1/2"		
FRAME OPENING WIDTH		3"	2"	4"	3"	OPTIONS	
FRAME OPENING HEIGHT		LOWER VERTICAL TRACK					
HIGH LIFT		UPPER VERTICAL TRACK					
HEADROOM REQ'D.		HORIZONTAL TRACK ___" RADIUS					
TRACK MOUNTING	<input type="checkbox"/> ADCA <input type="checkbox"/> BRACKET	LITES					

TITLE	THERMATITE T200-20 DOOR C/W ___" HIGH LIFT HARDWARE						
CLIENT							
SETS REQUIRED							
CLIENT'S ORDER NO.	R-W ORDER NO.						

Richards-Wilcox

CANADA INC.
TORONTO, ONTARIO

DRAWN			SCALE	
CHECKED			DRAWING NO.	
APPROVED			SHEET NO.	