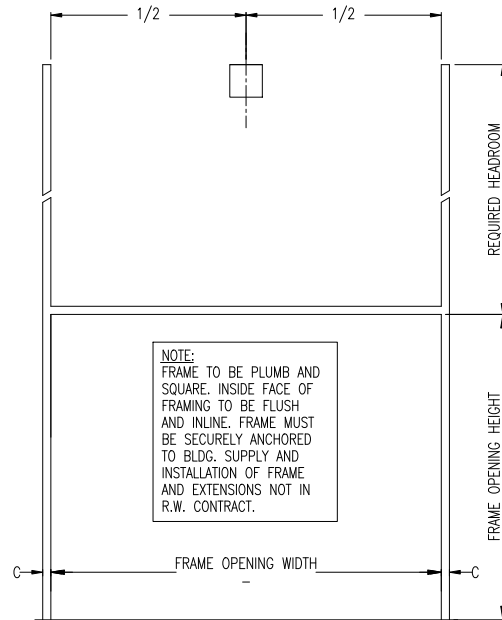
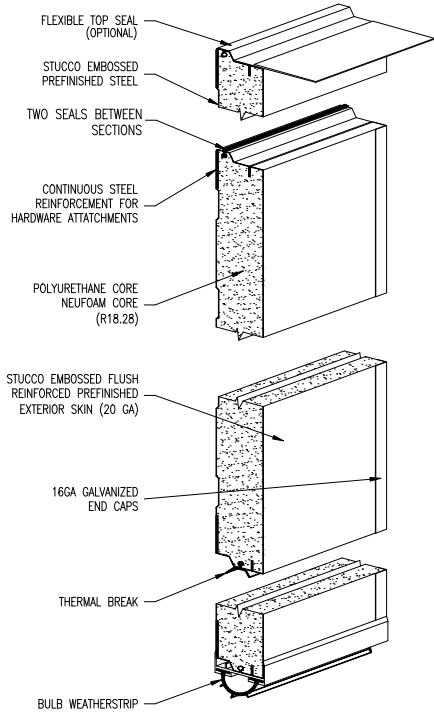
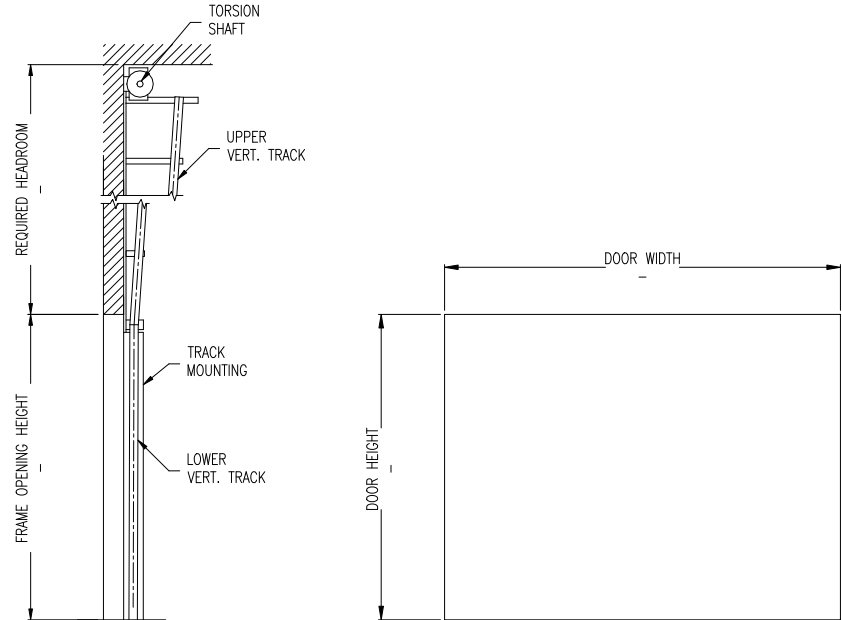


# THERMATITE T200-20



INTERIOR ELEVATION OF FRAMING BY OTHERS

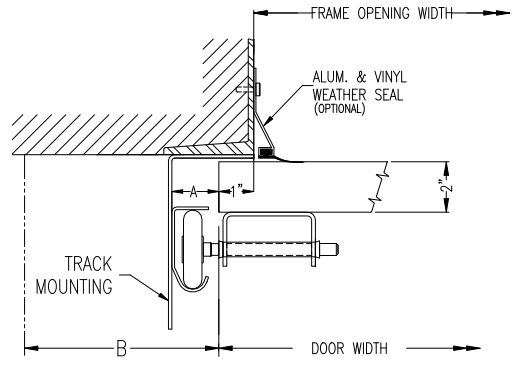
ISSUE NO.	REV. LET.	ISSUES OR REVISIONS	DATE	BY	APP.
1					



CROSS SECTION

EXTERIOR ELEVATION

NOTE:



STEEL JAMB DETAILS

DOOR WIDTH		ADCA	A	B	C	TRUSSING	WIND LOAD
DOOR HEIGHT		2"	1 1/2"	3 1/2"	2 1/2"		
FRAME OPENING WIDTH		3"	2"	4"	3"	OPTIONS	
FRAME OPENING HEIGHT		LOWER VERTICAL TRACK					
HEADROOM REQ'D.		UPPER VERTICAL TRACK					
TRACK MOUNTING	<input type="checkbox"/> ADCA <input type="checkbox"/> BRACKET	LITES					

TITLE THERMATITE T200-20 DOOR C/W \_\_\_" VERTICAL LIFT HARDWARE

CLIENT

SETS REQUIRED

CLIENT'S ORDER NO. R-W ORDER NO.

Richards-Wilcox CANADA INC. TORONTO, ONTARIO	DRAWN		SCALE	
	CHECKED		DRAWING NO.	
	APPROVED		SHEET NO.	