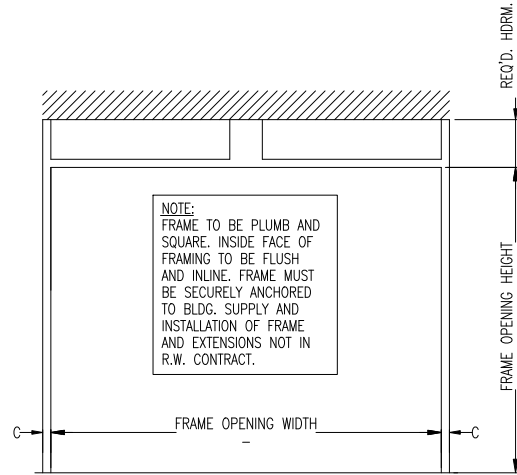
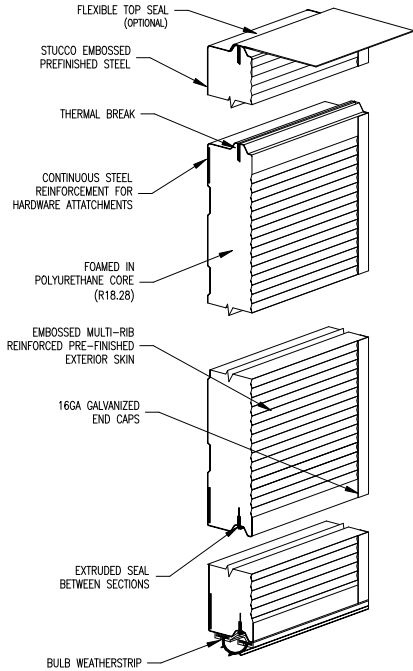
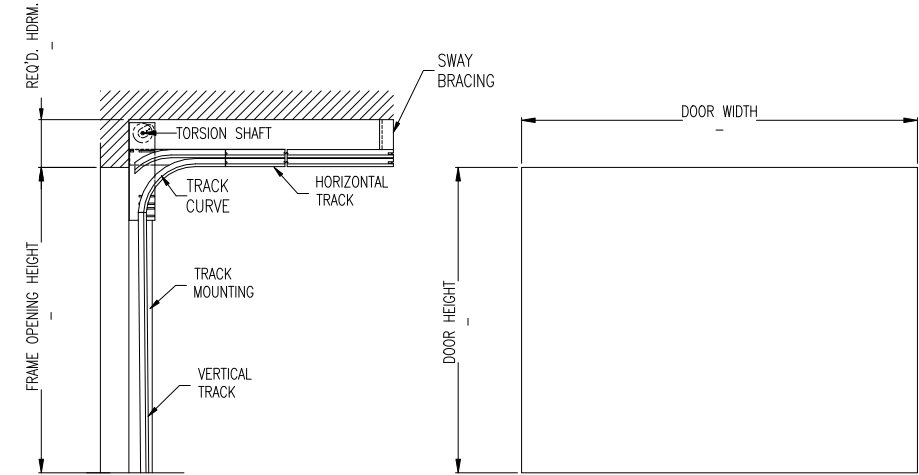


# THERMATITE T200C-MR



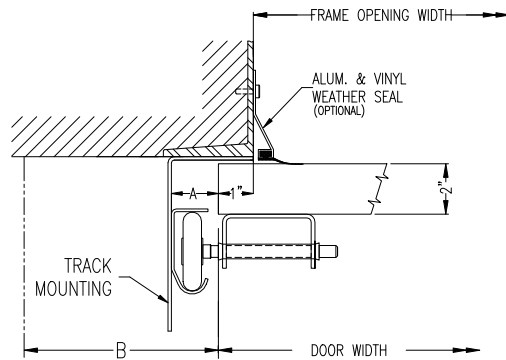
INTERIOR ELEVATION OF FRAMING BY OTHERS

ISSUE NO.	REV. LET.	ISSUES OR REVISIONS	DATE	BY	APP.
1					



CROSS SECTION

EXTERIOR ELEVATION



STEEL JAMB DETAILS

NOTE:

DOOR WIDTH		ADCA	A	B	C	TRUSSING	WIND LOAD
DOOR HEIGHT		2"	1 1/2"	3 1/2"	2 1/2"		
FRAME OPENING WIDTH		3"	2"	4"	3"	OPTIONS	
FRAME OPENING HEIGHT		LOWER VERTICAL TRACK					
HEADROOM REQ'D.		HORIZONTAL TRACK					
TRACK MOUNTING	<input type="checkbox"/> ADCA <input type="checkbox"/> BRACKET	LITES					

TITLE THERMATITE T200C-MR DOOR C/W \_\_\_" LOW HEADROOM FRONT MOUNT HARDWARE

CLIENT

SETS REQUIRED

CLIENT'S ORDER NO. \_\_\_\_\_ R-W ORDER NO. \_\_\_\_\_

Richards-Wilcox

CANADA INC.  
TORONTO, ONTARIO

DRAWN		SCALE	
CHECKED		DRAWING NO.	
APPROVED		SHEET NO.	