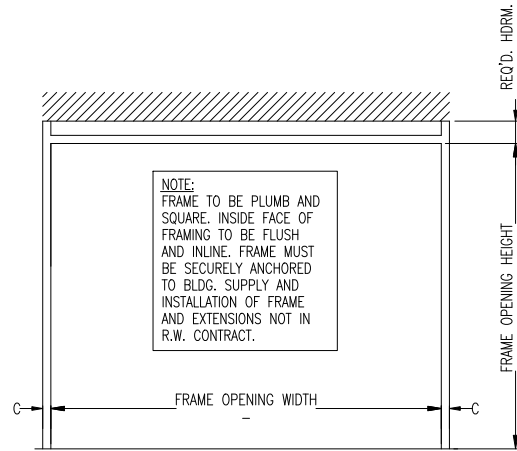
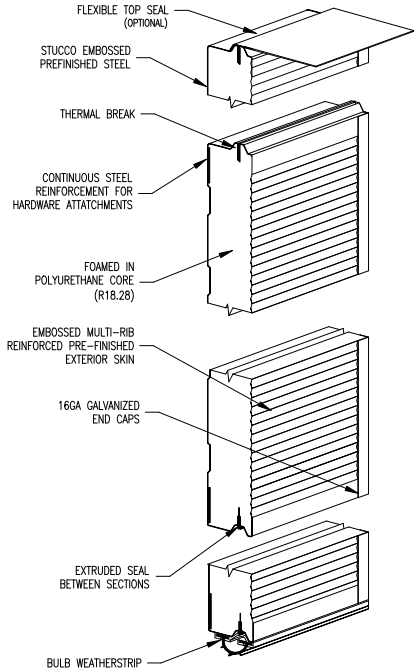
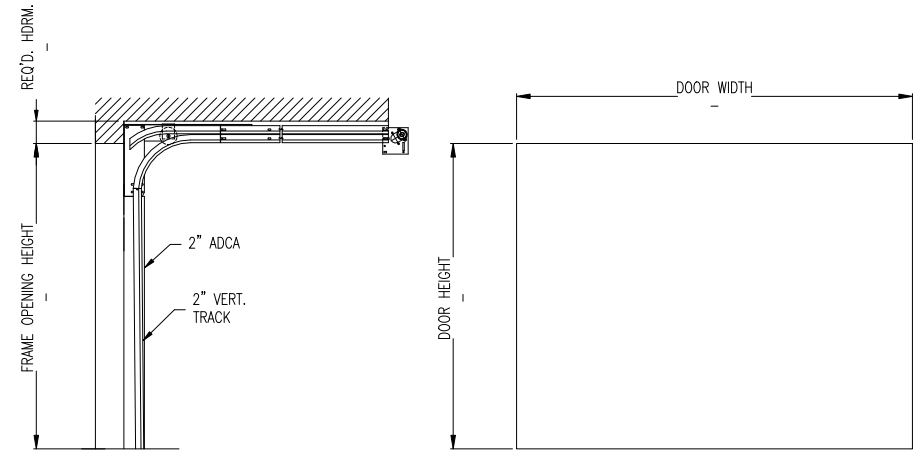


THERMATITE T200C-MR



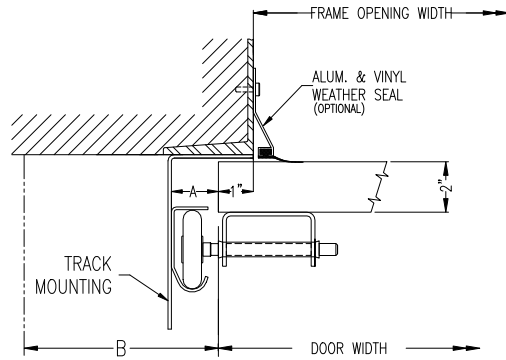
INTERIOR ELEVATION OF FRAMING BY OTHERS

| ISSUE NO. | REV. LET. | ISSUES OR REVISIONS | DATE | BY | APP. |
|-----------|-----------|---------------------|------|----|------|
| 1 | | | | | |



CROSS SECTION

EXTERIOR ELEVATION



STEEL JAMB DETAILS

NOTE:

| | | | | | | | |
|----------------------|--|------------------|--------|--------|--------|----------|-----------|
| DOOR WIDTH | | ADCA | A | B | C | TRUSSING | WIND LOAD |
| DOOR HEIGHT | | 2" | 1 1/2" | 3 1/2" | 2 1/2" | | |
| FRAME OPENING WIDTH | | 3" | 2" | 4" | 3" | OPTIONS | |
| FRAME OPENING HEIGHT | | VERTICAL TRACK | | | | | |
| HEADROOM REQ'D. | | HORIZONTAL TRACK | | | | | |
| TRACK MOUNTING | <input type="checkbox"/> ADCA <input type="checkbox"/> BRACKET | LITES | | | | | |

| | | | | | | | |
|--------------------|--|--|--|--|--|--|--|
| TITLE | THERMATITE T200C-MR DOOR C/W ___" LOW HEADROOM REAR MOUNT HARDWARE | | | | | | |
| CLIENT | | | | | | | |
| SETS REQUIRED | | | | | | | |
| CLIENT'S ORDER NO. | R-W ORDER NO. | | | | | | |

| | | | | | |
|--|----------|--|--|-------------|--|
| Richards-Wilcox CANADA INC. <small>(A DIVISION OF RAYNOR CANADA INC.) TORONTO, ONTARIO</small> | DRAWN | | | SCALE | |
| | CHECKED | | | DRAWING NO. | |
| | APPROVED | | | SHEET NO. | |