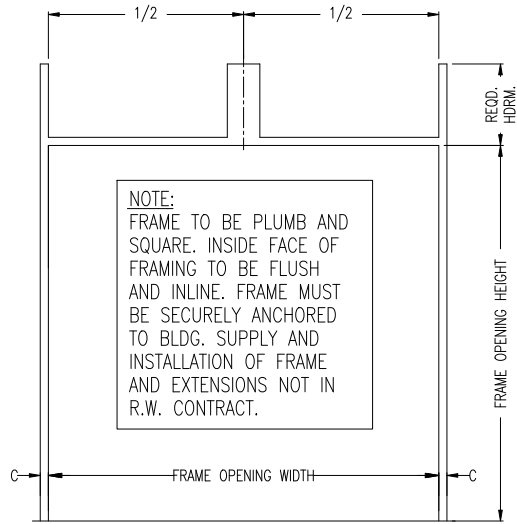
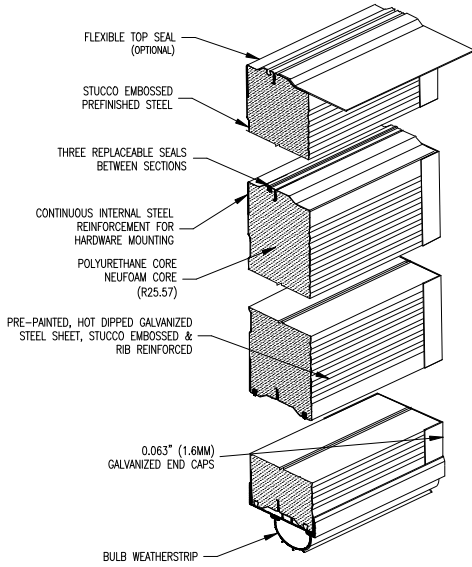


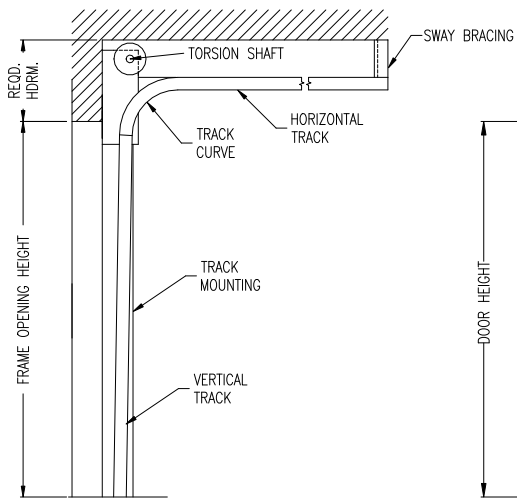
THERMATITE T300-MR



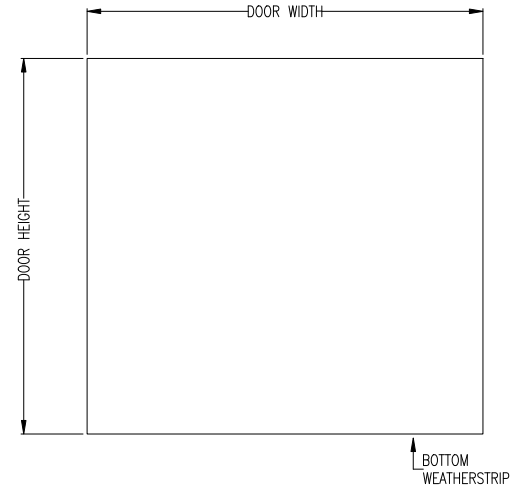
NOTE:
FRAME TO BE PLUMB AND SQUARE. INSIDE FACE OF FRAMING TO BE FLUSH AND INLINE. FRAME MUST BE SECURELY ANCHORED TO BLDG. SUPPLY AND INSTALLATION OF FRAME AND EXTENSIONS NOT IN R.W. CONTRACT.

INTERIOR ELEVATION OF FRAMING BY OTHERS

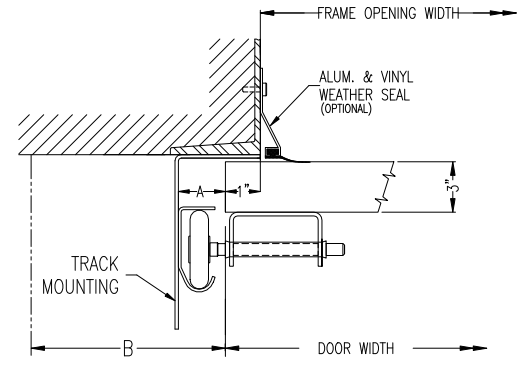
ISSUE NO.	REV. LET.	ISSUES OR REVISIONS	DATE	BY	APP.
1					



CROSS SECTION



EXTERIOR ELEVATION



STEEL JAMB DETAILS

DOOR WIDTH		ADCA	A	B	C
DOOR HEIGHT		2"	1 1/2"	3 1/2"	2 1/2"
FRAME OPENING WIDTH		3"	2"	4"	3"
FRAME OPENING HEIGHT		VERTICAL TRACK			
HEADROOM REQ'D.		HORIZONTAL TRACK ___" RADIUS			
TRACK MOUNTING	<input type="checkbox"/> ADCA <input type="checkbox"/> BRACKET	LITES			

TRUSSING	WIND LOAD
OPTIONS	

TITLE THERMATITE T300-MR DOOR C/W ___" STANDARD LIFT HARDWARE

CLIENT _____

SETS REQUIRED _____ TAG _____

CLIENT'S ORDER NO. _____ R-W ORDER NO. _____

Richards-Wilcox
CANADA INC.
TORONTO, ONTARIO

DRAWN		SCALE	NTS
CHECKED		DRAWING NO.	
APPROVED		SHEET NO.	