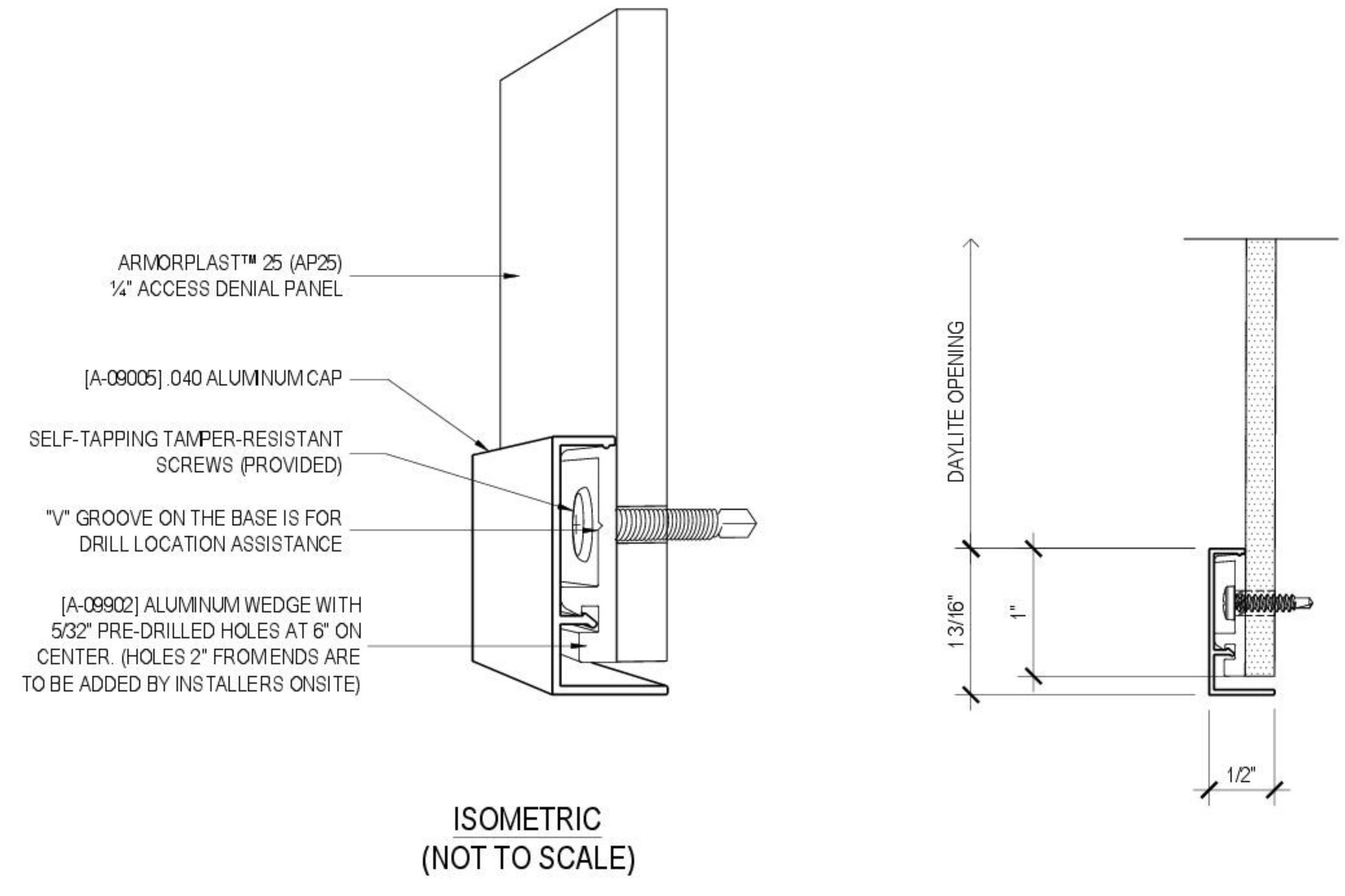
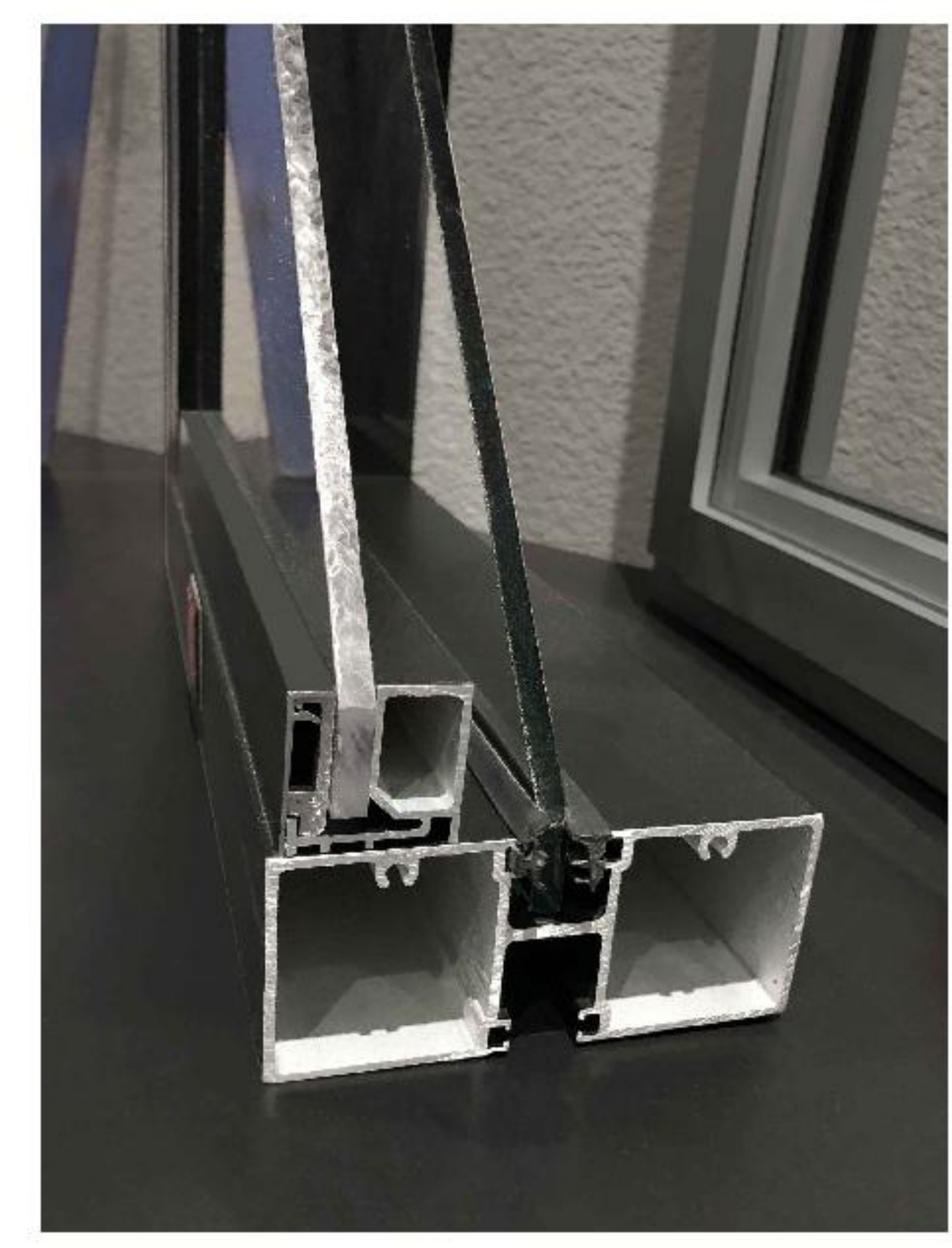


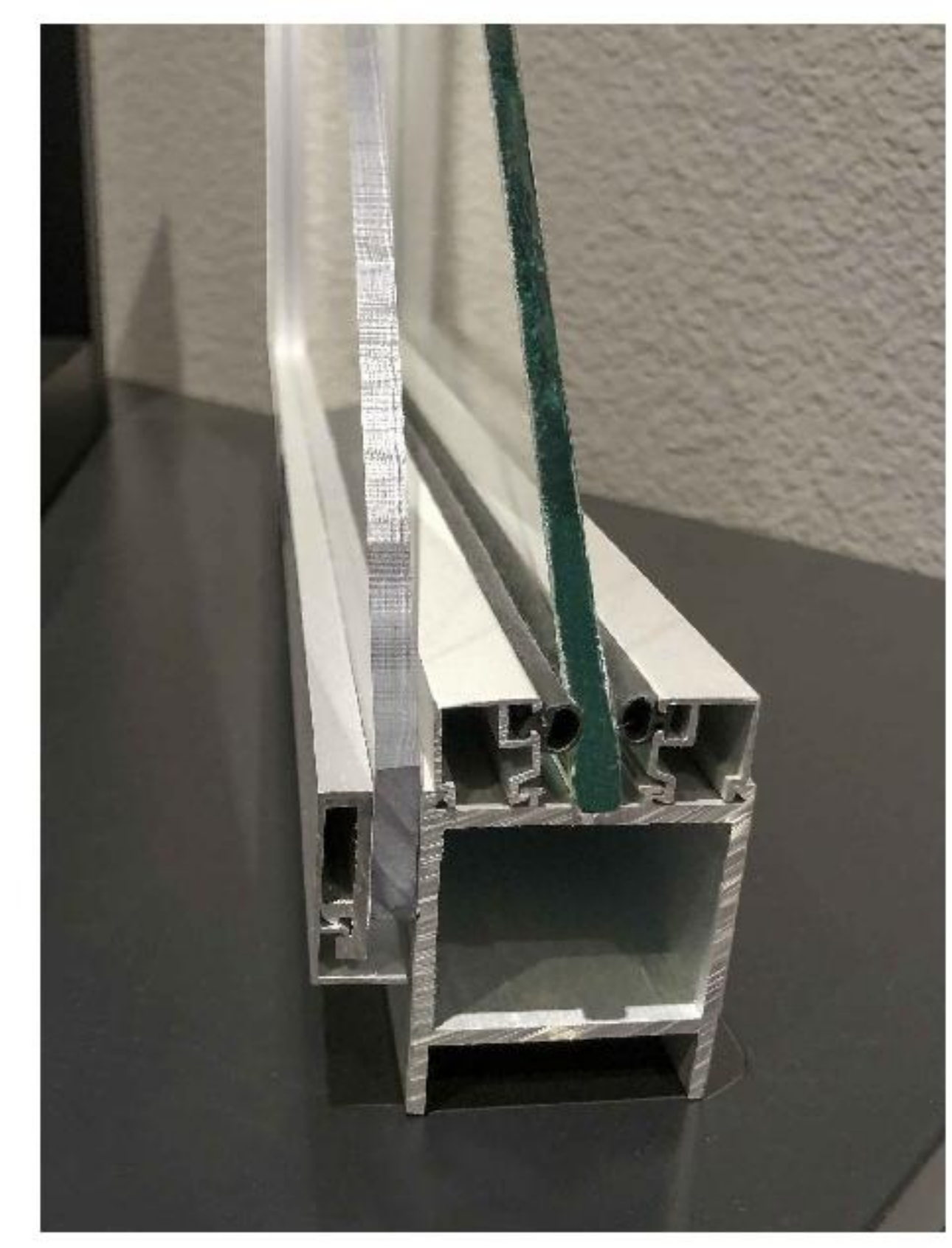
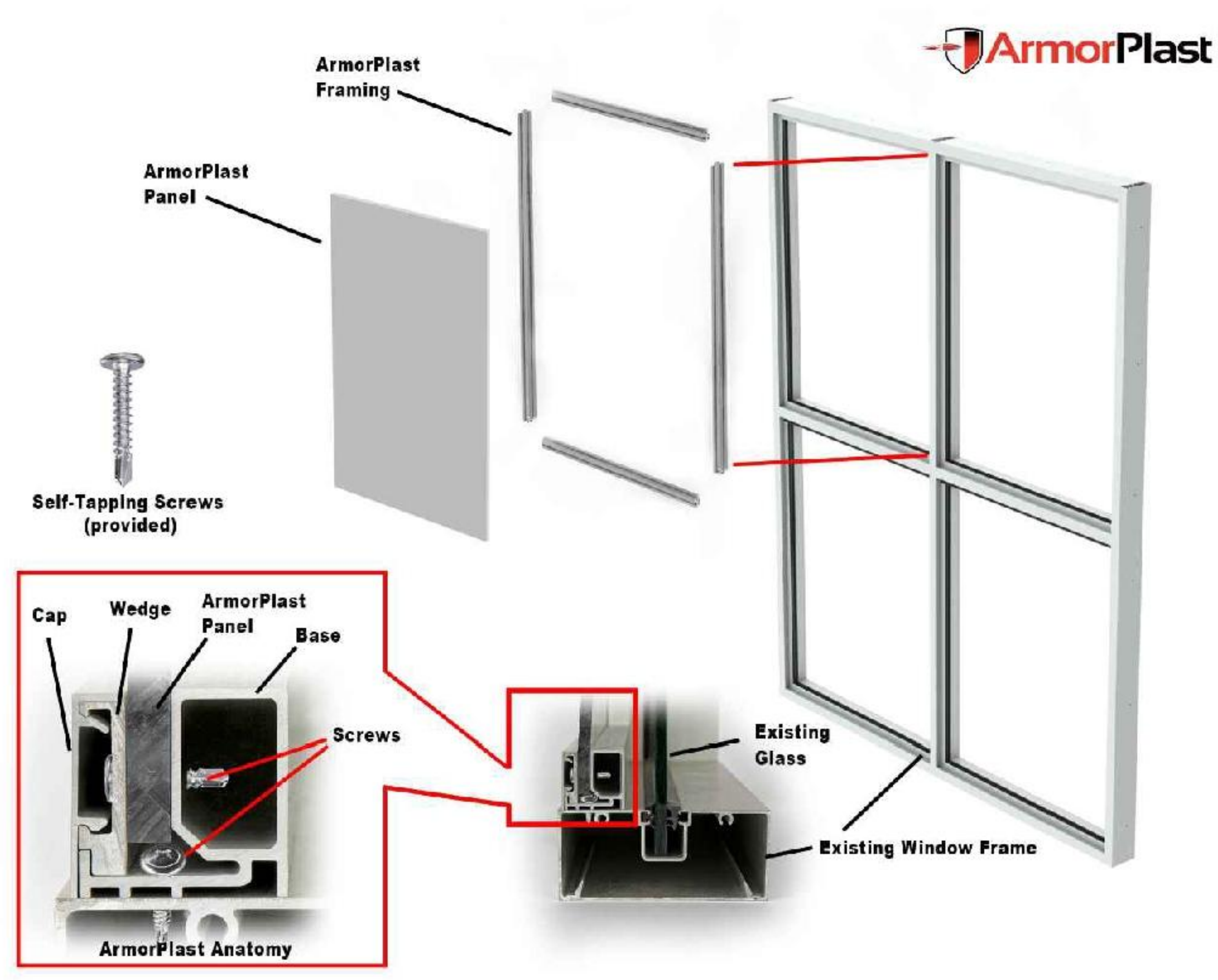
FULL FRAME



SURFACE MOUNT



FULL FRAME



SURFACE MOUNT

ARCHITECT OF RECORD'S APPROVAL

STRUCTURAL ENGINEER OF RECORD'S APPROVAL

STRUCTURAL ENGINEER'S APPROVAL

GENERAL CONTRACTOR'S APPROVAL

REVISIONS	BY
△	
△	
△	
△	
△	
△	

RIOT GLASS
 RIOT GLASS, INC.
 17941 BROOKSHIRE LANE
 HUNTINGTON BEACH, CA 92647
 (800) 580 - 2303

RIOT GLASS
 FRAMING DETAILS
 AVAILABLE IN USA & CANADA

PARTS LIST

DATE	
SCALE	
DRAWN	
JOB	
SHEET	

THIS DRAWING IS NOT TO SCALE IF NOT PRINTED ON A 24" X 36" SHEET