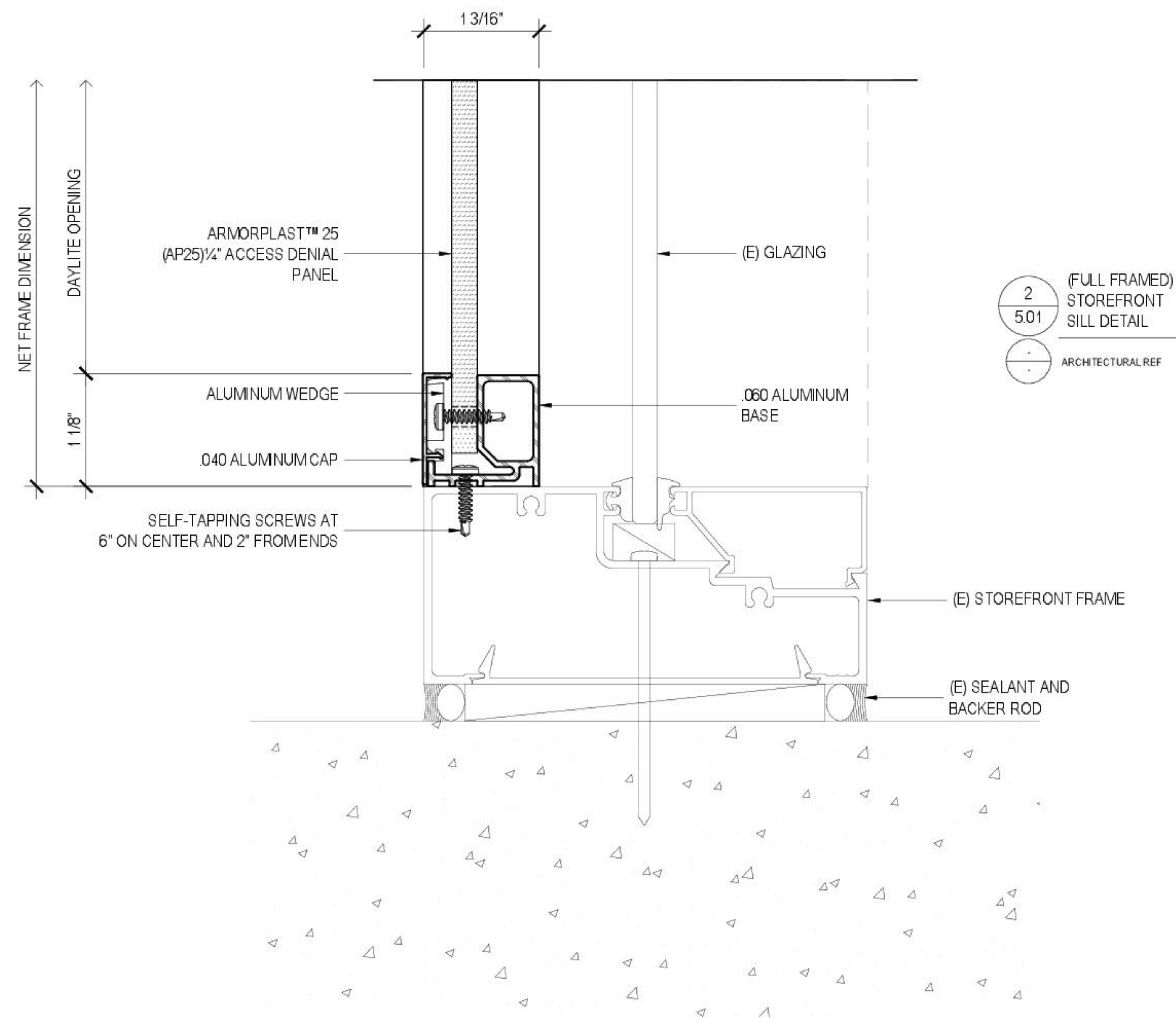


1  
5.01  
-  
-  
ARCHITECTURAL REF

(FULL FRAMED)  
STOREFRONT  
HEAD DETAIL

EXTERIOR  
(THREAT SIDE)

INTERIOR  
(SECURE SIDE)

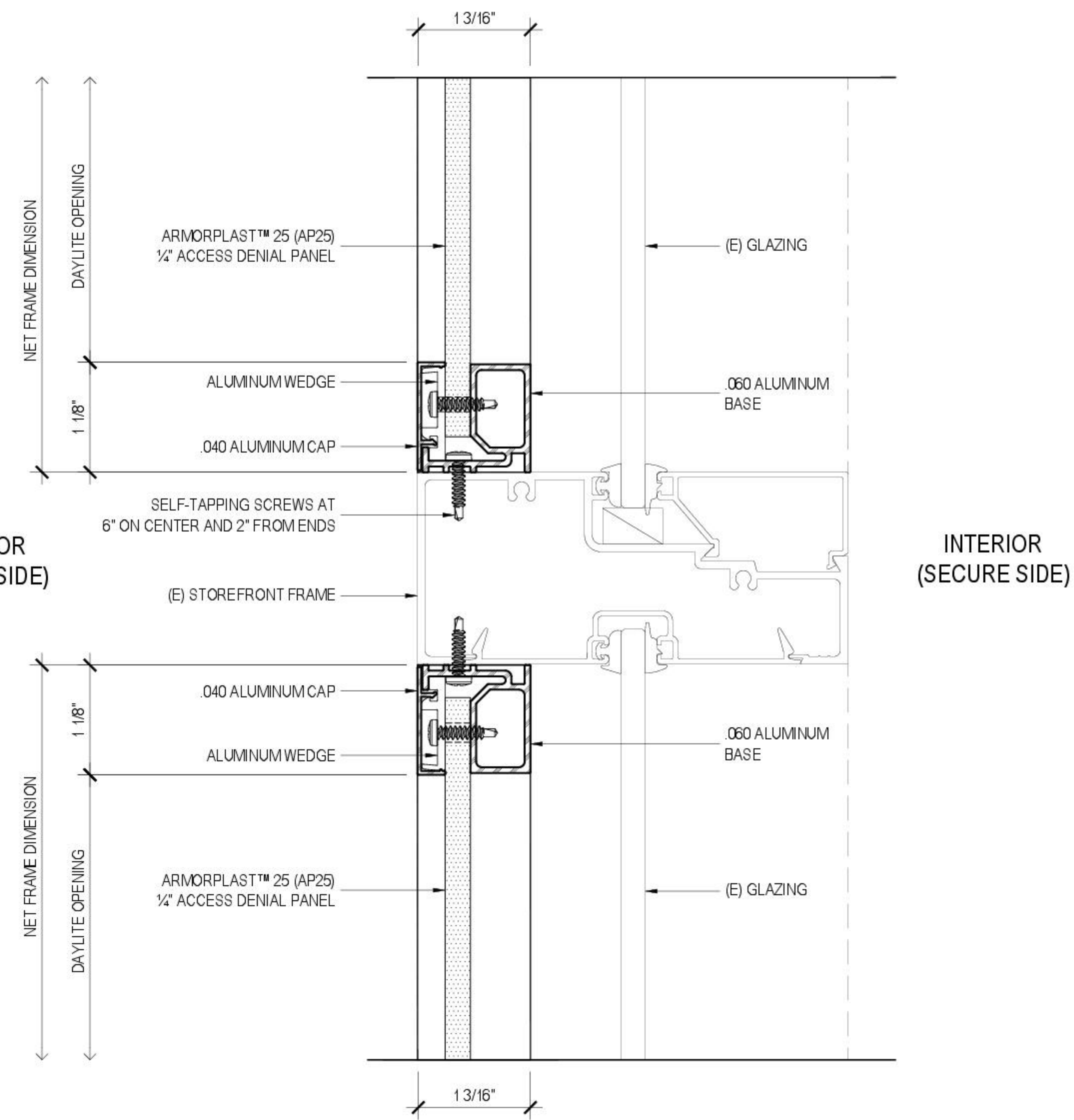


2  
5.01  
-  
-  
ARCHITECTURAL REF

(FULL FRAMED)  
STOREFRONT  
SILL DETAIL

EXTERIOR  
(THREAT SIDE)

INTERIOR  
(SECURE SIDE)



3  
5.01  
-  
-  
ARCHITECTURAL REF

(FULL FRAMED)  
STOREFRONT  
HORIZONTAL

ARCHITECT OF RECORD'S APPROVAL

STRUCTURAL ENGINEER OF RECORD'S  
APPROVAL

STRUCTURAL ENGINEER'S APPROVAL

GENERAL CONTRACTOR'S APPROVAL

REVISIONS	BY
△	
△	
△	
△	
△	
△	

**RIOT GLASS**  
RIOT GLASS, INC.  
17941 BROOKSHIRE LANE  
HUNTINGTON BEACH, CA 92647  
(800) 580 - 2303

**RIOT GLASS  
FRAMING DETAILS**  
AVAILABLE IN USA & CANADA

**STOREFRONT  
HEAD & SILL DETAILS**

DATE
SCALE FULL
DRAWN
JOB
SHEET

5.01

THIS DRAWING IS NOT TO SCALE IF NOT PRINTED ON A 24\"/>