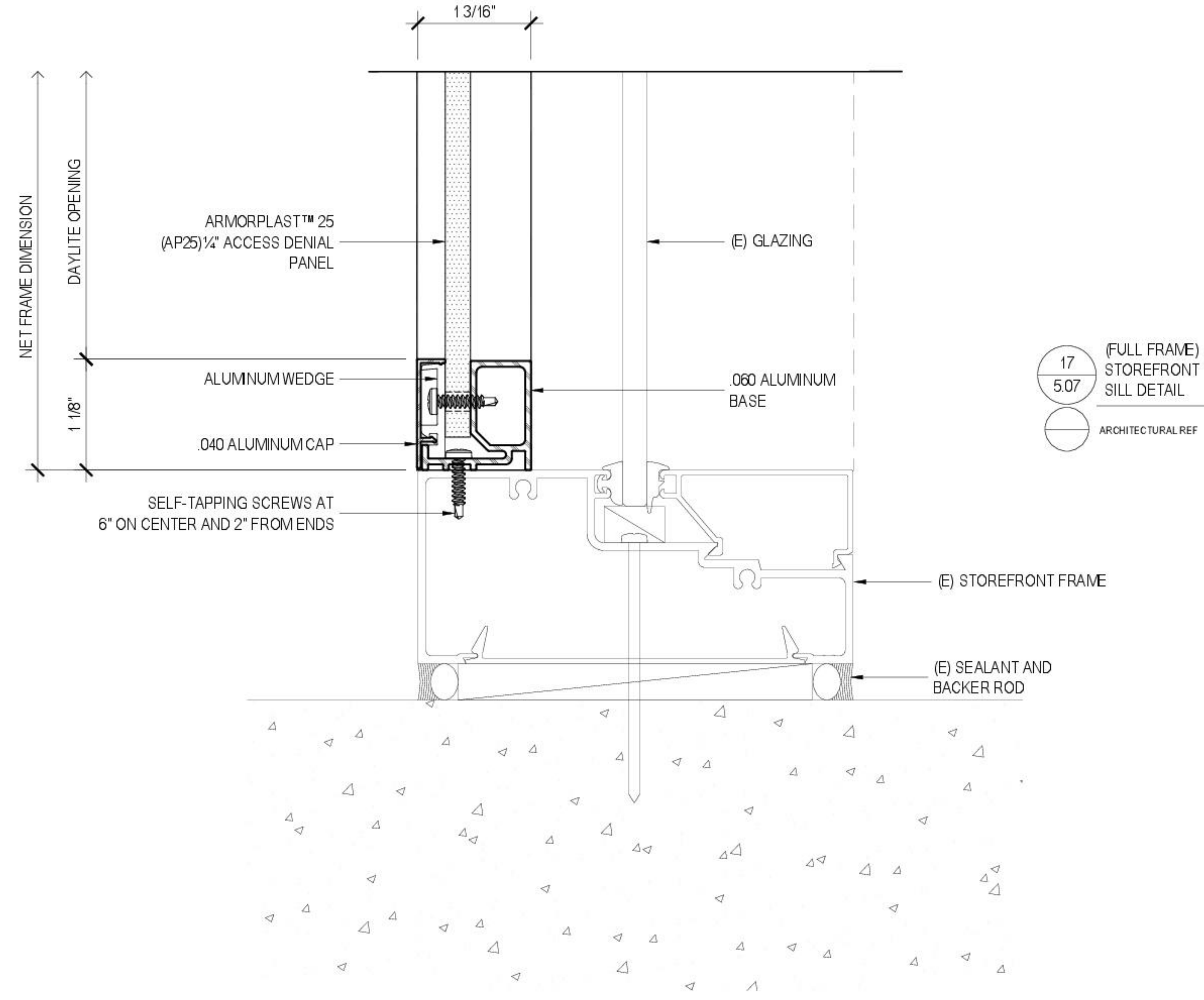


EXTERIOR
(THREAT SIDE)

INTERIOR
(SECURE SIDE)



ARCHITECT OF RECORD'S APPROVAL

STRUCTURAL ENGINEER OF RECORD'S
APPROVAL

STRUCTURAL ENGINEER'S APPROVAL

GENERAL CONTRACTOR'S APPROVAL

REVISIONS	BY
△	
△	
△	
△	
△	
△	

RIOT GLASS
 RIOT GLASS, INC.
 17941 BROOKSHIRE LANE
 HUNTINGTON BEACH, CA 92647
 (800) 580 - 2303

**RIOT GLASS
FRAMING DETAILS**
 AVAILABLE IN USA & CANADA

**HURRICANE / WINDSTORM
HEAD & SILL DETAILS
(FULL FRAME)**

DATE
SCALE FULL
DRAWN
JOB
SHEET

5.07

THIS DRAWING IS NOT TO SCALE IF NOT PRINTED ON A 24\"/>