

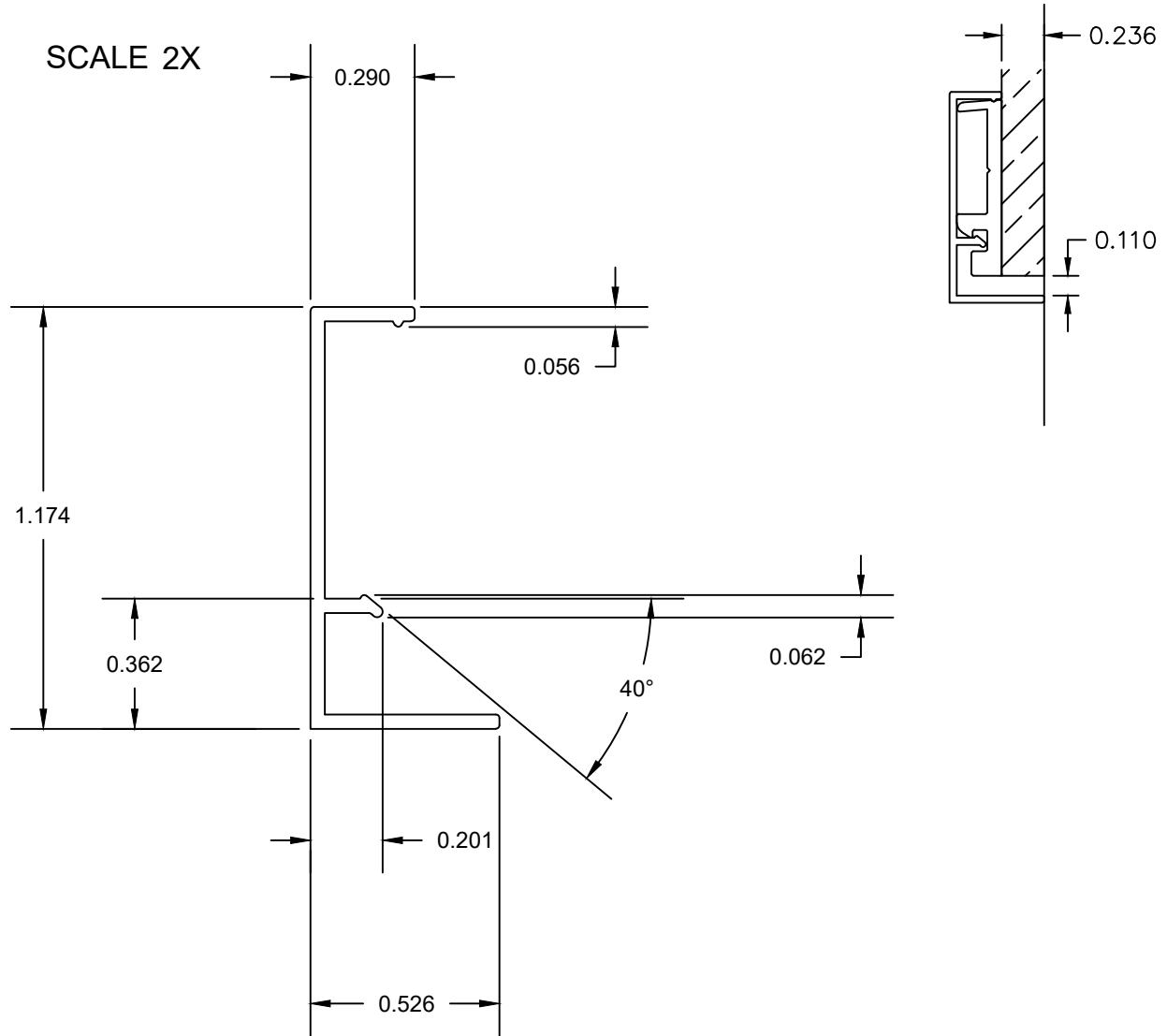
MANUFACTURER:

**RIOT GLASS**

PART NO. A-09008

PART NAME: SURFACE MOUNT CAP CLR

REV.



RIOT GLASS, INC  
17941 BROOKSHIRE LN  
HUNTINGTON BEACH, CA  
92647

UNMARKED WALLS: .040

UNMARKED CORNERS: .010

CLASS: SOLID

MATERIAL: ALUM. 6063-T5

UNLESS OTHERWISE NOTED ALL DIMENSIONS WILL CONFORM TO THE ALUMINUM ASSOCIATION PUBLISHED STANDARDS