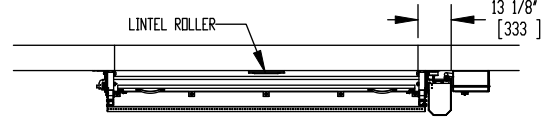


4

3

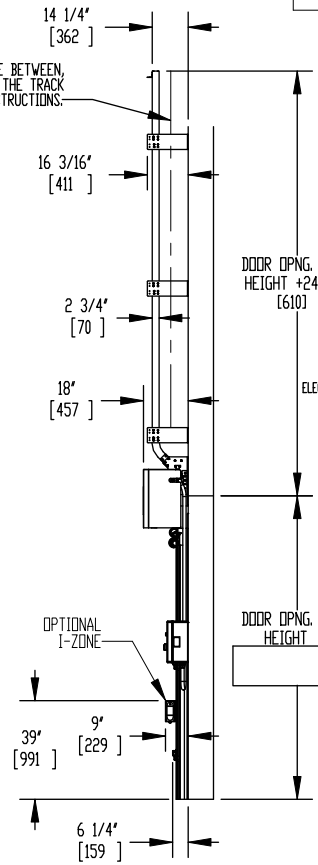
2

1



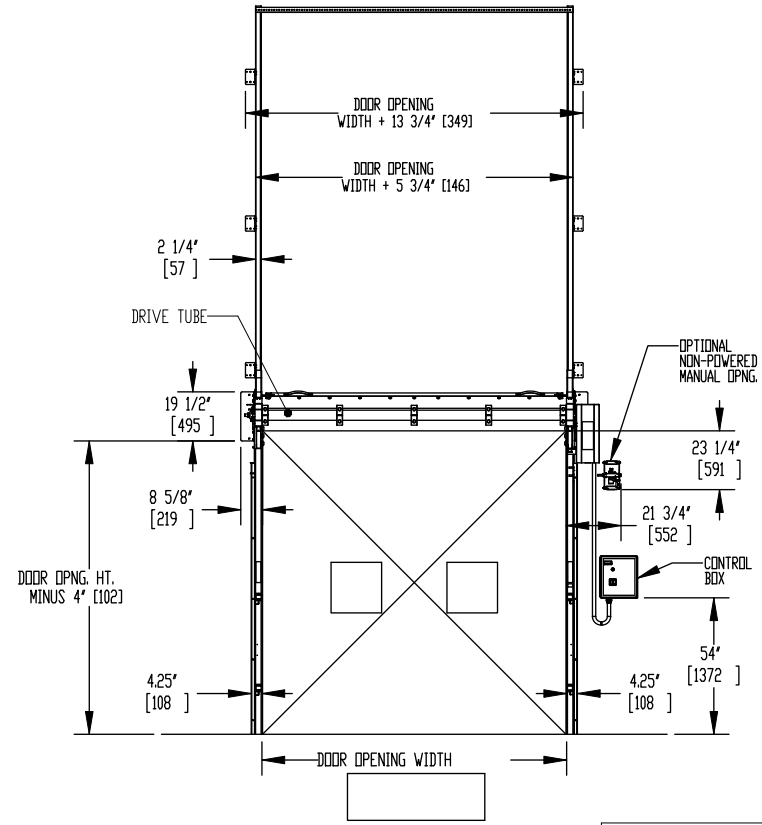
REVISION HISTORY				
REV.	DATE	NOTE	ECN	BY
A	2/12/2015	RELEASED TO USE	6964	CDH

6' (152) OF SPACE BETWEEN, ABOVE, & BELOW THE TRACK AND ANY OBSTRUCTIONS.



- SPECIFICATIONS**
- SPEED:** UP TO 100" (2540MM)/SEC. WITH STANDARD VARIABLE FREQUENCY DRIVE. TOP SPEED IS DEPENDENT ON DOOR SIZE.
 - SIZE:** MAXIMUM: 16' (3048MM) wide x 16' (5486MM) high (LARGER THAN 16' TALL, SEE 7830A025)
MINIMUM: 3' (914MM) wide x 3' (914MM) high
 - CURTAIN MATERIAL:**
 - 60 MIL POLYPROPYLENE (BLUE)
 - 100 MIL POLYPROPYLENE
 - INSULATED CURTAIN (Max Size: 10' (3048MM) wide x 18' (5486MM) high)
 - BLU
 - ORG
 - GRN
 - GRN
 - WHT
 - RED
 - SIDE FRAMES:** POWDER COATED ALUMINUM EXTRUSION, 4 1/2" (115MM) WIDE x 4-3/4" (121MM) PROJECTION.
 - DRIVE SYSTEM:** 2 HP. (1.5 kW) or 1.5 HP. (1.1 kW) MOTOR, VARIABLE FREQ. DRIVE, TRAXION DRV SYSTEM - CONSISTING OF A DRIVE GEAR, DRIVE SPHERES AND A COMPOSITE EDGE MATERIAL WHICH IS ATTACHED TO THE CURTAIN.
 - ELECTRICAL REQUIREMENTS:**
 - SINGLE PHASE:** 220V - 240V, 60 HZ
 - 208V, 60 HZ
 - 240V, 60 HZ
 - 480V, 50/60 HZ
 - 480V, 60 HZ
 - 575V, 60 HZ
 - VISION OPTIONS:**
 - NONE
 - 20" x 20" (508 mm x 508 mm) REPLACIBLE VISION PANELS
 - 20" x 20" (508 mm x 508 mm) GRAY SCREEN WITH REMOVABLE CLEAR COVER
 - CONTROL BOX:** I-CONM DIGITAL CONTROLLER, VARIABLE FREQUENCY DRIVE. SIZE: 14" x 16" x 8" (356MM x 407MM x 203MM)
 - CURTAIN RETENTION:** WEAR RESISTANT LEARN WIND GUIDES KEEP TENSION ON THE CURTAIN THE ENTIRE LENGTH OF THE SIDE FRAME. INCLUDES TRUE AUTO RE-FEED SYSTEM IN CASE OF ACCIDENTAL IMPACTS TO CURTAIN.
 - SAFETY FEATURES:** SOFT EDGE TECHNOLOGY, TWO THRU-BEAM PHOTO EYES MOUNTED AT 18" (457MM) AND 54" (1372MM) OFF THE FLOOR.
 - WARRANTY:** LIMITED 1-YEAR PARTS AND LABOR ON ALL COMPONENTS, INCLUDING ELECTRICAL. EXCLUSIVE 1-YEAR MONEY BACK GUARANTEE OF CUSTOMER SATISFACTION.

NOTE: 1) ALTERNATE DIMENSIONS IN (), ARE IN MILLIMETERS.



FINISH		MATERIAL	
CONFIDENTIAL		DRAWN BY CDH	
UNLESS OTHERWISE SPECIFIED DIMENSIONS ARE IN INCHES.		DRAWN DATE 1/27/2015	
TOLERANCES:		INITIAL ECN 6964	
.X = ±.050		DATE ISSUED 2/12/2015	
.XX = ±.010		REFERENCE	
.XXX = ±.005		ALL SHEETS ARE THE SAME REVISION STATUS	
ANGLE = ±1.0°		DO NOT SCALE DRAWING	
THIRD ANGLE PROJECTION		TITLE	
		RITE-HITE® DOORS INC.	
© 2015 RITE-HITE® DOORS INC.		ARCHITECTURAL APPROVAL	
		FASTRXL D, VERTICAL LIFT	
		SIZE MODEL	DWG NO
		B FASTRXL D	7830A021
		SCALE 1:48	REV A
		PART#	SHEET 1 OF 1

4

3

2

1