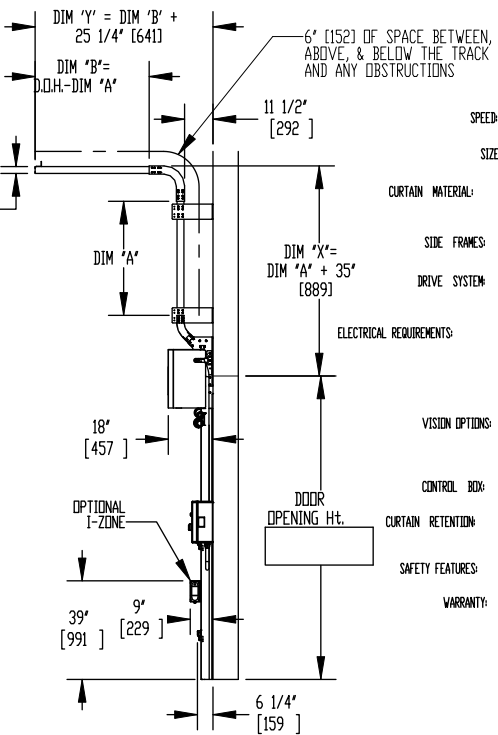
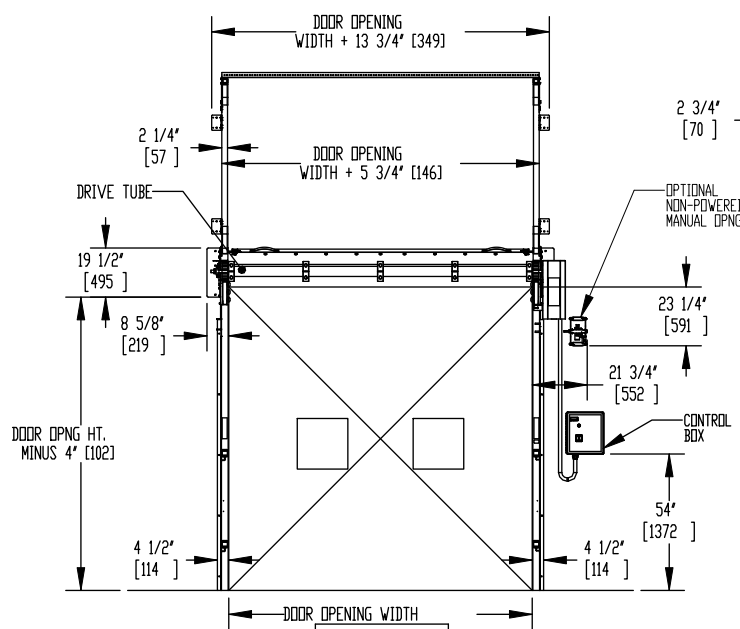
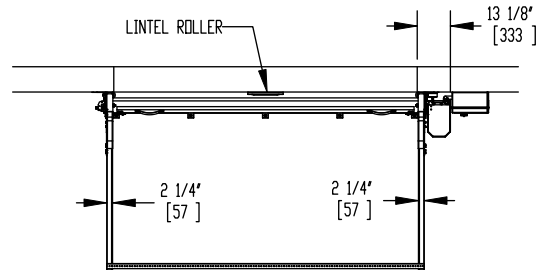


4

3

2

1



REVISION HISTORY				
REV.	DATE	NOTE	ECN	BY
A	2/12/2015	RELEASED TO USE	6964	CDH

SPECIFICATIONS

- SPEED:** UP TO 100" (2540MM)/SEC WITH STANDARD VARIABLE FREQUENCY DRIVE. TOP SPEED IS DEPENDENT ON DOOR SIZE.
- SIZE:**
 MAXIMUM: 16' (3048MM) wide x 16' (5486MM) high (LARGER THAN 16' TALL, SEE 7830A025)
 MINIMUM: 3' (914MM) wide x 3' (914MM) high
- CURTAIN MATERIAL:**
 60 MIL POLYPROPYLENE (BLUE)
 100 MIL POLYPROPYLENE
 INSULATED CURTAIN (Max Size: 10' (3048MM) wide x 18' (5486MM) high)
- SIDE FRAMES:** POWDER COATED ALUMINUM EXTRUSION, 4 1/2" (115MM) WIDE x 4-3/4" (120MM) PROJECTION.
- DRIVE SYSTEM:** 2 HP (1.5 kW) or 1.5 HP (1.1 kW) MOTOR, VARIABLE FREQ. DRIVE, TRAXION DRV SYSTEM - CONSISTING OF A DRIVE GEAR, DRIVE SPHERES AND A COMPOSITE EDGE MATERIAL.
- ELECTRICAL REQUIREMENTS:**
 SINGLE PHASE: 220V - 240V, 60 HZ
 200V, 60 HZ
 THREE PHASE: 240V, 60 HZ
 400V, 50/60 HZ
 460V, 60 HZ
 575V, 60 HZ
- VISION OPTIONS:**
 NONE
 20" x 20" (508 mm x 508 mm) REPLACIBLE VISION PANELS
 20" x 20" (508 mm x 508 mm) GRAY SCREEN WITH REMOVABLE CLEAR COVER
- CONTROL BOX:** 1-COMM DIGITAL CONTROLLER, VARIABLE FREQUENCY DRIVE. SIZE: 14" x 16" x 8" (356MM x 407MM x 204MM)
- CURTAIN RETENTION:** WEAR RESISTANT LEXAN VIND GUIDES KEEP TENSION ON THE CURTAIN THE ENTIRE LENGTH OF THE SIDE FRAME. INCLUDES TRUE AUTO RE-FEED SYSTEM IN CASE OF ACCIDENTAL IMPACTS TO CURTAIN.
- SAFETY FEATURES:** SOFT EDGE TECHNOLOGY (TVO) THRU-BEAM PHOTO EYES MOUNTED AT 18" (457MM) AND 54" (1372MM) OFF THE FLOOR.
- WARRANTY:** LIMITED 1-YEAR PARTS AND LABOR ON ALL COMPONENTS, INCLUDING ELECTRICAL. EXCLUSIVE 1-YEAR MONEY BACK GUARANTEE OF CUSTOMER SATISFACTION.

NOTE:
 1) ALTERNATE DIMENSIONS IN [], ARE IN MILLIMETERS.

4

3

2

1

FINISH		MATERIAL	
CONFIDENTIAL		DRAWN BY CDH	
UNLESS OTHERWISE SPECIFIED DIMENSIONS ARE IN INCHES.		DRAWN DATE 1/27/2015	
TOLERANCES:		INITIAL ECN 6964	
.X = ±.050		DATE ISSUED 2/12/2015	
.XX = ±.010		REFERENCE	
.XXX = ±.005		ALL SHEETS ARE THE SAME REVISION STATUS	
ANGLE = ±1.0°		DO NOT SCALE DRAWING	
THIRD ANGLE PROJECTION		SIZE MODEL B FASTRXL D	
		DWG NO 7830A022	
© 2015 RITE-HITE DOORS INC.		SCALE 1:48	
		PART#	
		SHEET 1 OF 1	

RITE-HITE[®]
DOORS INC.

TITLE
ARCHITECTURAL APPROVAL
FASTRXL D, HIGH LIFT

THIS DOCUMENT IS THE PROPERTY OF RITE-HITE DOORS INC. SUBJECT MATTER HEREIN IS CONFIDENTIAL. DO NOT USE, REPRODUCE, COPY OR DISCLOSE EXCEPT WITH WRITTEN CONSENT OF RITE-HITE DOORS INC.