

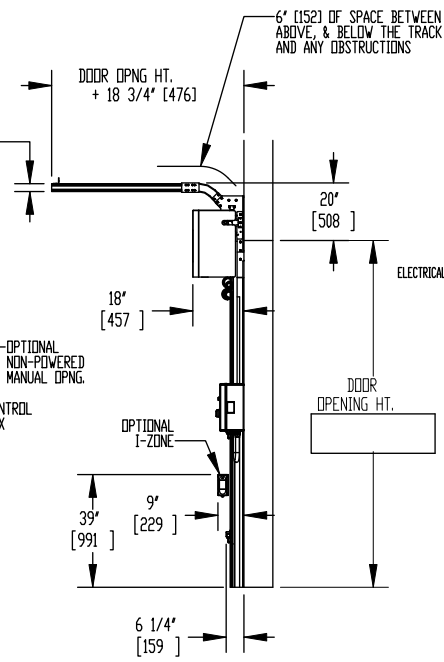
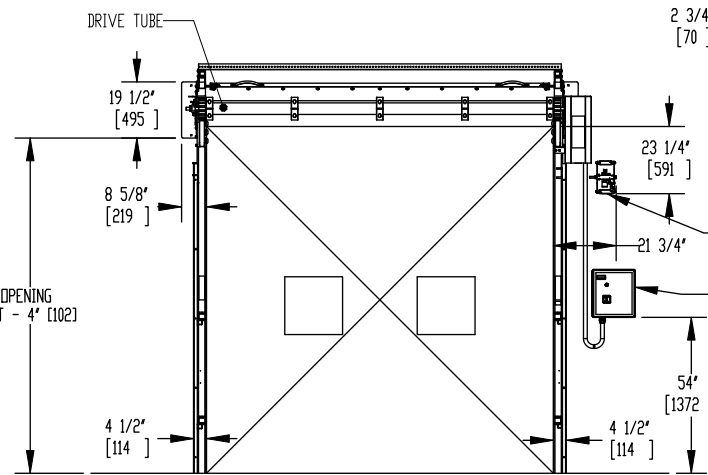
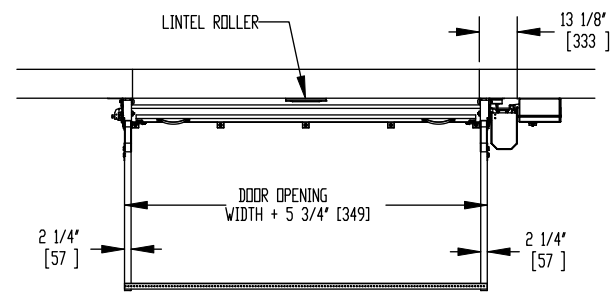
4

3

2

1

REVISION HISTORY				
REV.	DATE	NOTE	ECN	BY
A	2/12/2015	RELEASED TO USE	6964	CDH



- SPECIFICATIONS**
- SPEED:** UP TO 100" (2540MM) SEC WITH STANDARD VARIABLE FREQUENCY DRIVE. TOP SPEED IS DEPENDENT ON DOOR SIZE.
 - SIZE:** MAXIMUM: 16' (5486MM) wide x 16' (5486MM) high (LARGER THAN 16' TALL, SEE 7830A025)
MINIMUM: 3' (914MM) wide x 3' (914MM) high
 - CURTAIN MATERIAL:**
 - 60 MIL POLYPROPYLENE (BLUE)
 - 100 MIL POLYPROPYLENE
 - INSULATED CURTAIN (Max Size: 10' (3048MM) wide x 18' (5486MM) high
 - SIDE FRAMES:** POWDER COATED ALUMINUM EXTRUSION, 4 1/2" (115MM) WIDE x 4-3/4" (120MM) PROJECTION.
 - DRIVE SYSTEM:** 2 HP, (1.5 kW) or 1.5 HP, (1.1 kW) MOTOR; VARIABLE FREQ. DRIVE, TRAXION DRV SYSTEM - CONSISTING OF A DRIVE GEAR, DRIVE SPHERES AND A COMPOSITE EDGE MATERIAL WHICH IS ATTACHED TO THE CURTAIN.
 - ELECTRICAL REQUIREMENTS:**
 - SINGLE PHASE: 220V - 240V, 60 HZ
 - THREE PHASE: 208V, 60 HZ
 - 240V, 60 HZ
 - 480V, 50/60 HZ
 - 460V, 60 HZ
 - 575V, 60 HZ
 - VISION OPTIONS:**
 - NONE
 - 20" x 20" (508 mm x 508 mm) REPLACEABLE VISION PANELS
 - 20" x 20" (508 mm x 508 mm) GRAY SCREEN WITH REMOVABLE CLEAR COVER
 - CONTROL BOX:** 1-COMM DIGITAL CONTROLLER, VARIABLE FREQUENCY DRIVE. SIZE: 14" x 16" x 8" (355MM x 407MM x 204MM)
 - CURTAIN RETENTION:** WEAR RESISTANT LEXAN VIND GUIDES KEEP TENSION ON THE CURTAIN THE ENTIRE LENGTH OF THE SIDE FRAME. INCLUDES TRUE AUTO RE-FEED SYSTEM IN CASE OF ACCIDENTAL IMPACTS TO CURTAIN.
 - SAFETY FEATURES:** SOFT EDGE TECHNOLOGY, TWO THRU-BEAM PHOTO EYES MOUNTED AT 18" (457MM) AND 54" (1372MM) OFF THE FLOOR.
 - WARRANTY:** LIMITED 1-YEAR PARTS AND LABOR ON ALL COMPONENTS, INCLUDING ELECTRICAL. EXCLUSIVE 1-YEAR MONEY BACK GUARANTEE OF CUSTOMER SATISFACTION.

NOTE:
 ① ALTERNATE DIMENSIONS IN [], ARE IN MILLIMETERS.

FINISH		MATERIAL			
CONFIDENTIAL		DRAWN BY: CDH			
UNLESS OTHERWISE SPECIFIED DIMENSIONS ARE IN INCHES. TOLERANCES: .X = ±.050 .XX = ±.010 .XXX = ±.005 ANGLE = ±1.0°		DRAWN DATE: 1/28/2015			
		INITIAL ECN: 6964			
		DATE ISSUED: 2/12/2015			
THIS DOCUMENT IS THE PROPERTY OF RITE-HITE DOORS INC. SUBJECT MATTER HEREIN IS CONFIDENTIAL. DO NOT USE, REPRODUCE, COPY OR DISCLOSE EXCEPT WITH WRITTEN CONSENT OF RITE-HITE DOORS INC. © 2015 RITE-HITE DOORS INC.		TITLE: ARCHITECTURAL APPROVAL FASTRAXLD, STANDARD LIFT			
		REFERENCE: ALL SHEETS ARE THE SAME REVISION STATUS. DO NOT SCALE DRAWING.			
THIRD ANGLE PROJECTION 		SIZE: B	MODEL: FASTRAXLD	DWG NO: 7830A023	REV: A
		SCALE: 1:42	PART#	SHEET: 1 OF 1	

4

3

2

1