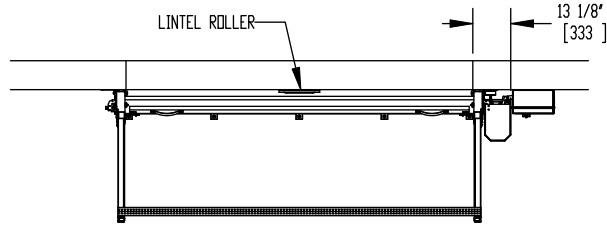


4

3

2

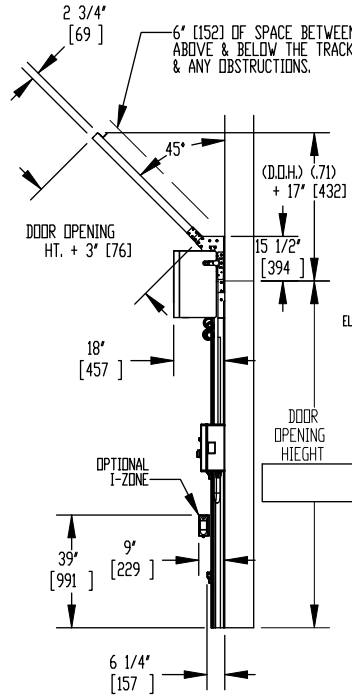
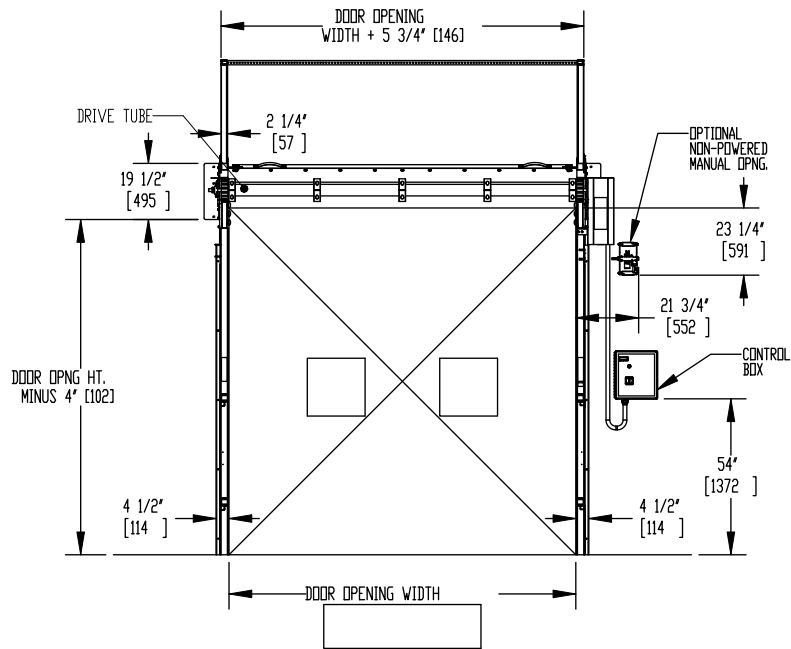
1



REVISION HISTORY				
REV.	DATE	NOTE	ECN	BY
A	2/12/2015	RELEASED TO USE	6964	CDH

B

B



SPECIFICATIONS

- SPEED: UP TO 100" (2540MM)/SEC WITH STANDARD VARIABLE FREQUENCY DRIVE. TOP SPEED IS DEPENDENT ON DOOR SIZE.
- SIZE: MAXIMUM: 16' (3048MM) wide x 16' (5486MM) high (LARGER THAN 16' TALL, SEE 7830A025)
MINIMUM: 3' (914MM) wide x 3' (914MM) high
- CURTAIN MATERIAL:
 - 60 MIL. POLYPROPYLENE (BLU)
 - 100 MIL. POLYPROPYLENE
 - INSULATED CURTAIN (Max Size: 10' (3048MM) wide x 18' (5486MM) high)
- SIDE FRAMES: POWDER COATED ALUMINUM EXTRUSION, 4 1/2" (115MM) WIDE x 4-3/4" (121MM) PROJECTION.
- DRIVE SYSTEM: 2 HP (1.5 kW) or 1.5 HP (1.1 kW) MOTOR, VARIABLE FREQ. DRIVE, TRANXION DRV SYSTEM - CONSISTING OF A DRIVE GEAR, DRIVE SPHERES AND A COMPOSITE EDGE MATERIAL.
- ELECTRICAL REQUIREMENTS:
 - SINGLE PHASE: 220V - 240V, 60 HZ
 - 208V, 60 HZ
 - 240V, 60 HZ
 - 400V, 50/60 HZ
 - 460V, 60 HZ
 - 575V, 60 HZ
- VISION OPTIONS:
 - NONE
 - 20" x 20" (508 mm x 508 mm) REPLACEABLE VISION PANELS
 - 20" x 20" (508 mm x 508 mm) GRAY SCREEN WITH REMOVABLE CLEAR COVER
- CONTROL BOX: I-COM DIGITAL CONTROLLER, VARIABLE FREQUENCY DRIVE. SIZE: 14" x 16" x 8" (356MM x 407MM x 204MM)
- CURTAIN RETENTION: WEAR RESISTANT LEAN WIND GUIDES KEEP TENSION ON THE CURTAIN THE ENTIRE LENGTH OF THE SIDE FRAME. INCLUDES TRUE AUTO RE-FEED SYSTEM IN CASE OF ACCIDENTAL IMPACTS TO CURTAIN.
- SAFETY FEATURES: SOFT EDGE TECHNOLOGY. TWO THRU-BEAM PHOTO EYES MOUNTED AT 18" (457MM) AND 54" (1372MM) OFF THE FLOOR.
- WARRANTY: LIMITED 1-YEAR PARTS AND LABOR ON ALL COMPONENTS, INCLUDING ELECTRICAL. EXCLUSIVE 1-YEAR MONEY BACK GUARANTEE OF CUSTOMER SATISFACTION.

NOTE: 1) ALTERNATE DIMENSIONS IN [], ARE IN MILLIMETERS.

A

A

FINISH		MATERIAL	
CONFIDENTIAL		DRAWN BY CDH	
UNLESS OTHERWISE SPECIFIED DIMENSIONS ARE IN INCHES.		DRAWN DATE 1/29/2015	
TOLERANCES:		INITIAL ECN 6964	
.X = ±.050		DATE ISSUED 2/12/2015	
.XX = ±.010		REFERENCE	
.XXX = ±.005		ALL SHEETS ARE THE SAME REVISION STATUS	
ANGLE = ±1.0°		DO NOT SCALE DRAWING	
THIRD ANGLE PROJECTION		TITLE	
		RITE-HITE® DOORS INC.	
© 2015 RITE-HITE® DOORS INC.		ARCHITECTURAL APPROVAL	
		FASTRAXLD, 45 DEGREE TILT AWAY	
		SIZE MODEL	DWG NO
		B FASTRAXLD	7830A024
		SCALE 1:42	REV A
		PART#	SHEET 1 OF 1

4

3

2

1