

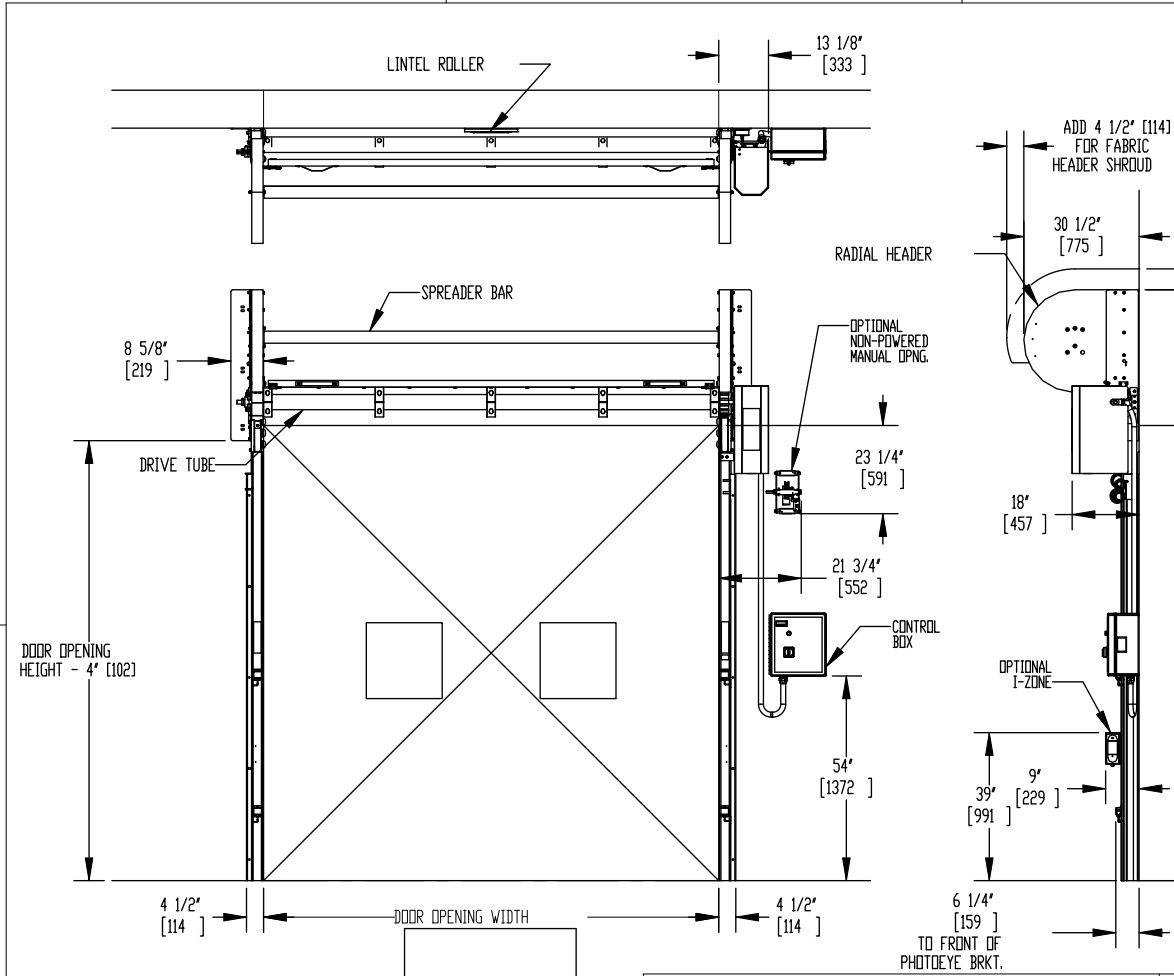
4

3

2

1

REVISION HISTORY				
REV.	DATE	NOTE	ECN	BY
A	2/12/2015	RELEASED TO USE	6964	CDH



- SPECIFICATIONS**
- SPEED:** UP TO 100" (2540MM)/SEC WITH STANDARD VARIABLE FREQUENCY DRIVE. TOP SPEED IS DEPENDENT ON DOOR SIZE.
 - SIZE:** MAXIMUM: 10" (254MM) wide x 16" (406MM) high (LARGER THAN 16" TALL, SEE 7830A025)
MINIMUM: 3" (76MM) wide x 3" (76MM) high
 - CURTAIN MATERIAL:**
 - 60 MIL POLYPROPYLENE (BLUE)
 - 100 MIL POLYPROPYLENE
 - BLU
 - DRG
 - GRN
 - WHI
 - RED
 - SIDE FRAMES:** POWDER COATED ALUMINUM EXTRUSION, 4 1/2" (114MM) WIDE x 4-3/4" (120MM) PROJECTION
 - DRIVE SYSTEM:** 2 HP (1.5 KW) MOTOR, VARIABLE FREQUENCY DRIVE, TRAXION DRIVE SYSTEM - CONSISTING OF A DRIVE GEAR, DRIVE SPHERES AND A COMPOSITE EDGE MATERIAL WHICH IS ATTACHED TO THE CURTAIN
 - ELECTRICAL REQUIREMENTS:**
 - SINGLE PHASE:** 200V - 240V, 60 HZ
 - THREE PHASE:** 200V, 60 HZ
 - 240V, 60 HZ
 - 400V, 50/60 HZ
 - 480V, 60 HZ
 - 575V, 60 HZ
 - VISION OPTIONS:**
 - NONE
 - 20" x 20" (508 mm x 508 mm) REPLACIBLE VISION PANELS
 - 20" x 20" (508 mm x 508 mm) GRAY SCREEN WITH REMOVABLE CLEAR COVER
 - SHROUD OPTION:** NO SHROUD SHROUD
 - CONTROL BOX:** I-COMM DIGITAL CONTROLLER, VARIABLE FREQUENCY DRIVE. SIZE: 14" x 16" x 8" (356MM x 407MM x 204MM)
 - CURTAIN RETENTION:** WEAR RESISTANT LEXAN WINDOW GUIDES KEEP TENSION ON THE CURTAIN THE ENTIRE LENGTH OF THE SIDE FRAME. INCLUDES TRUE AUTO RE-FEED SYSTEM IN CASE OF ACCIDENTAL IMPACTS TO CURTAIN.
 - SAFETY FEATURES:** SOFT EDGE TECHNOLOGY, TWO THRU-BEAM PHOTO EYES MOUNTED AT 18" (457MM) AND 54" (1372MM) OFF THE FLOOR.
 - WARRANTY:** LIMITED 1-YEAR PARTS AND LABOR ON ALL COMPONENTS, INCLUDING ELECTRICAL. EXCLUSIVE 1-YEAR MONEY BACK GUARANTEE OF CUSTOMER SATISFACTION.

NOTE: 1) ALTERNATE DIMENSIONS IN (), ARE IN MILLIMETERS.

FINISH		MATERIAL	
CONFIDENTIAL		DRAWN BY CDH	
UNLESS OTHERWISE SPECIFIED DIMENSIONS ARE IN INCHES.		DRAWN DATE 1/22/2015	
TOLERANCES:		INITIAL ECN 6964	
.X = ±.050		DATE ISSUED 2/12/2015	
.XX = ±.010		REFERENCE	
.XXX = ±.005		ALL SHEETS ARE THE SAME REVISION STATUS	
ANGLE = ±1.0°		DO NOT SCALE DRAWING	
THIRD ANGLE PROJECTION		SIZE MODEL DWG NO	
		B FASTRXLD 7830A028	
© 2014 RITE-HITE DOORS INC.		SCALE 1:32 PART# SHEET 1 OF 1	

RITE-HITE® DOORS INC.

TITLE ARCHITECTURAL APPROVAL FASTRXLD, RADIAL

4

3

2

1