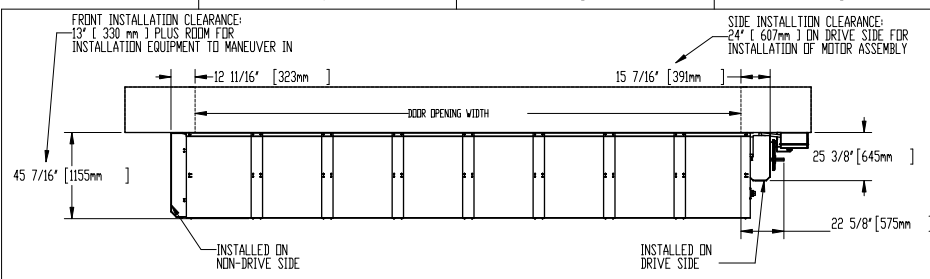


8 7 6 5 4 3 2 1



APPROVED YES NO AS MARKED

APPROVED BY: _____

DATE: _____

REVISION HISTORY				
REV.	DATE	NOTE	EON	BY
A	1/22/2015	RELEASE	6963	SHC
B	4/16/2015	ADD CLEARANCE NOTES	6963	SHC

SPECIFICATIONS

SPEED: UP TO 52" (1321 mm) / SEC WITH STANDARD VARIABLE FREQUENCY DRIVE. TOP SPEED IS DEPENDENT ON DOOR SIZE.

SIZE: MAXIMUM: 24' (7315 mm) WIDE x 24' (7315 mm) HIGH
 MINIMUM: 8' (2438 mm) WIDE x 8' (2438 mm) HIGH

CURTAIN MATERIAL: 100 MIL POLYPROPYLENE
 BLUE GREEN GRAY ORANGE RED WHITE

SIDE FRAMES: BLACK POWDER COATED ALUMINUM EXTRUSION AFFIXED TO WELDED STEEL SUPPORT FRAMES.

DRIVE SYSTEM: 2 HP (1.5 kW) MOTOR, VARIABLE FREQUENCY DRIVE, TRAXION DRIVE SYSTEM - CONSISTING OF A DRIVE GEAR, DRIVE SPHERES AND A COMPOSITE EDGE MATERIAL WHICH IS HEAT WELDED TO THE CURTAIN. COUNTER WEIGHTED CURTAIN ROLL-UP TUBE.

ELECTRICAL REQUIREMENTS:

SINGLE PHASE: 220V - 240V, 60 HZ
 THREE PHASE: 208V, 60 HZ
 230V, 60 HZ
 400V, 50/60 HZ
 460V, 60 HZ
 575V, 60 HZ

VISION OPTIONS: NONE
 20" x 20" (508 mm x 508 mm) REPLACEABLE VISION PANELS
 20" x 20" (508 mm x 508 mm) GRAY SCREEN WITH REMOVABLE CLEAR COVER

CONTROL BOX: I-COMM DIGITAL CONTROLLER, VARIABLE FREQUENCY DRIVE. MAIN ENCLOSURE NEMA 4X - 14" (356 mm) x 16" (406 mm) x 8" (203 mm) STANDARD COMPACT USER INTERFACE.

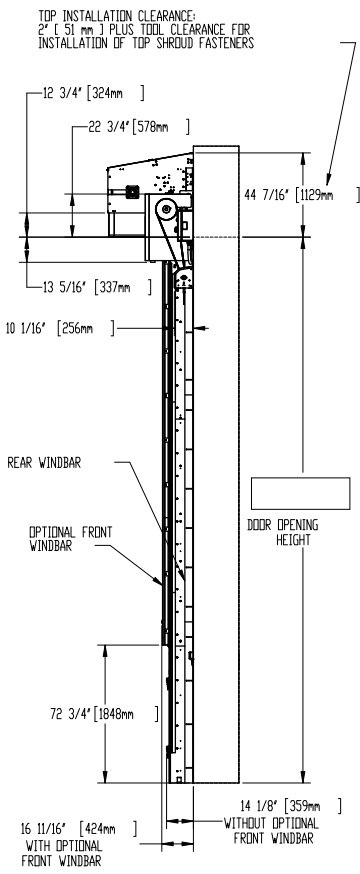
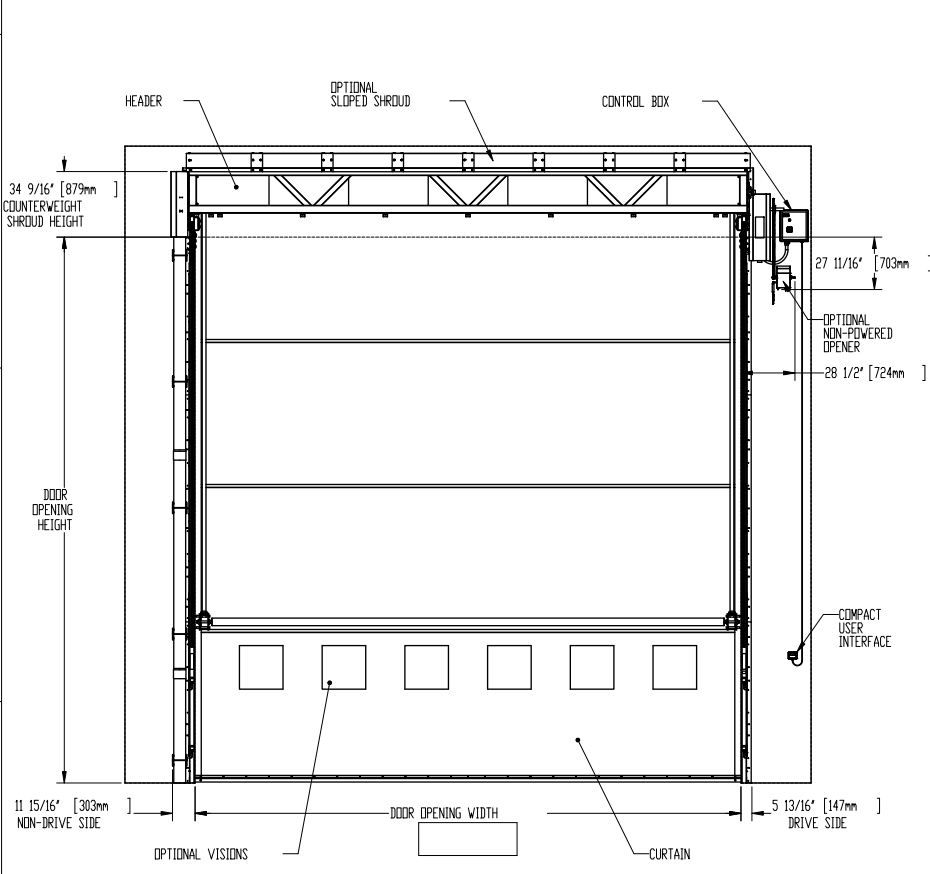
CURTAIN RETENTION: WEAR RESISTANT LEXAN WIND GUIDES KEEP TENSION ON THE CURTAIN THE ENTIRE LENGTH OF THE SIDE FRAME. INCLUDES TRUE AUTO RE-FEED SYSTEM IN CASE OF ACCIDENTAL IMPACTS TO CURTAIN.

WINDBAR OPTIONS: REAR WINDBAR (SEE 7832A001 & 7832A002 FOR NON-REAR WINDBAR APPLICATIONS)
 FRONT WINDBAR (OPTIONAL)

SAFETY FEATURES: SOFT EDGE TECHNOLOGY, THRU-BEAM PHOTO EYE MOUNTED AT 18" (457 mm) AND 54" (1372 mm). COUNTER WEIGHT BELT MONITORING SYSTEM.

OPTIONAL EQUIPMENT: NON-POWERED MANUAL OPENING
 HIGH WIND LOCK PLATES (16" NON-BREAKAWAY SECTION)

WARRANTY: LIMITED 1-YEAR PARTS AND LABOR ON ALL COMPONENTS, INCLUDING ELECTRICAL, EXCLUSIVE 1-YEAR MONEY BACK GUARANTEE OF CUSTOMER SATISFACTION.



USE THIS DRAWING FOR DOORS WITH A REAR WINDBAR THAT HAVE A SLOPED SHROUD

SEE DRAWING 7832A003 FOR DOORS WITH A REAR WINDBAR THAT HAVE NO SHROUD OR A FLAT SHROUD

FOR DOORS WITHOUT A REAR WINDBAR SEE DRAWINGS 7832A001 & 7832A002

OMITTING DRIVE AND COUNTERWEIGHT SHROUDS DOES NOT REDUCE SIDE CLEARANCE REQUIREMENTS

FINISH		MATERIAL	
UNLESS OTHERWISE SPECIFIED DIMENSIONS ARE IN INCHES		DRAWN BY: _____	
TOLERANCES:		DRAWN DATE: 10/3/2014	
X	+ 0.00	DATE ISSUED: 6/26/15	
XX	+ 0.00	FILE: PASTRAX XL ARCHITECTURAL APPROVAL	
XXX	+ 0.00	EXTENDED PROJECTION (SLOPED SHROUD)	
ANGLE	+ 0.05	DATE: 1/15/2015	
THIRD ANGLE PROJECTION		DRAWN BY: _____	
ALL DIMENSIONS ARE THE SAME UNLESS OTHERWISE NOTED		DATE: 1/15/2015	
DO NOT SCALE DRAWING		DRAW NO: 7832A004	
© 2015 RITE-HITE DOORS INC.		SCALE: 1/32 PART: - SHEET: 1 OF 1	

8 7 6 5 4 3 2 1