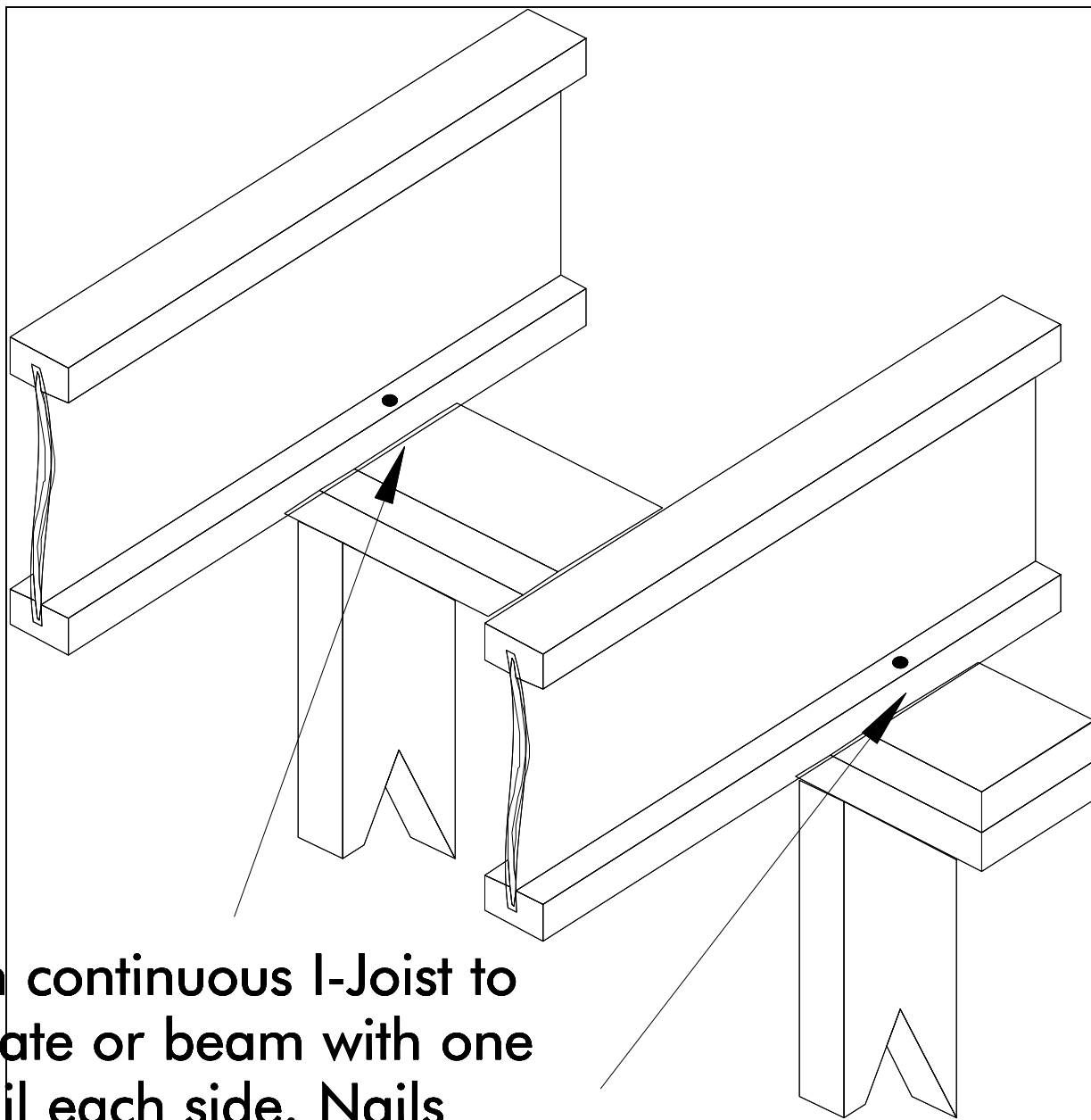


INTERMEDIATE SUPPORT FOR CONTINUOUS I-JOIST (NO BLOCKING)



Attach continuous I-Joist to top plate or beam with one 8d nail each side. Nails may be driving at an angle to avoid splitting of bearing plate.