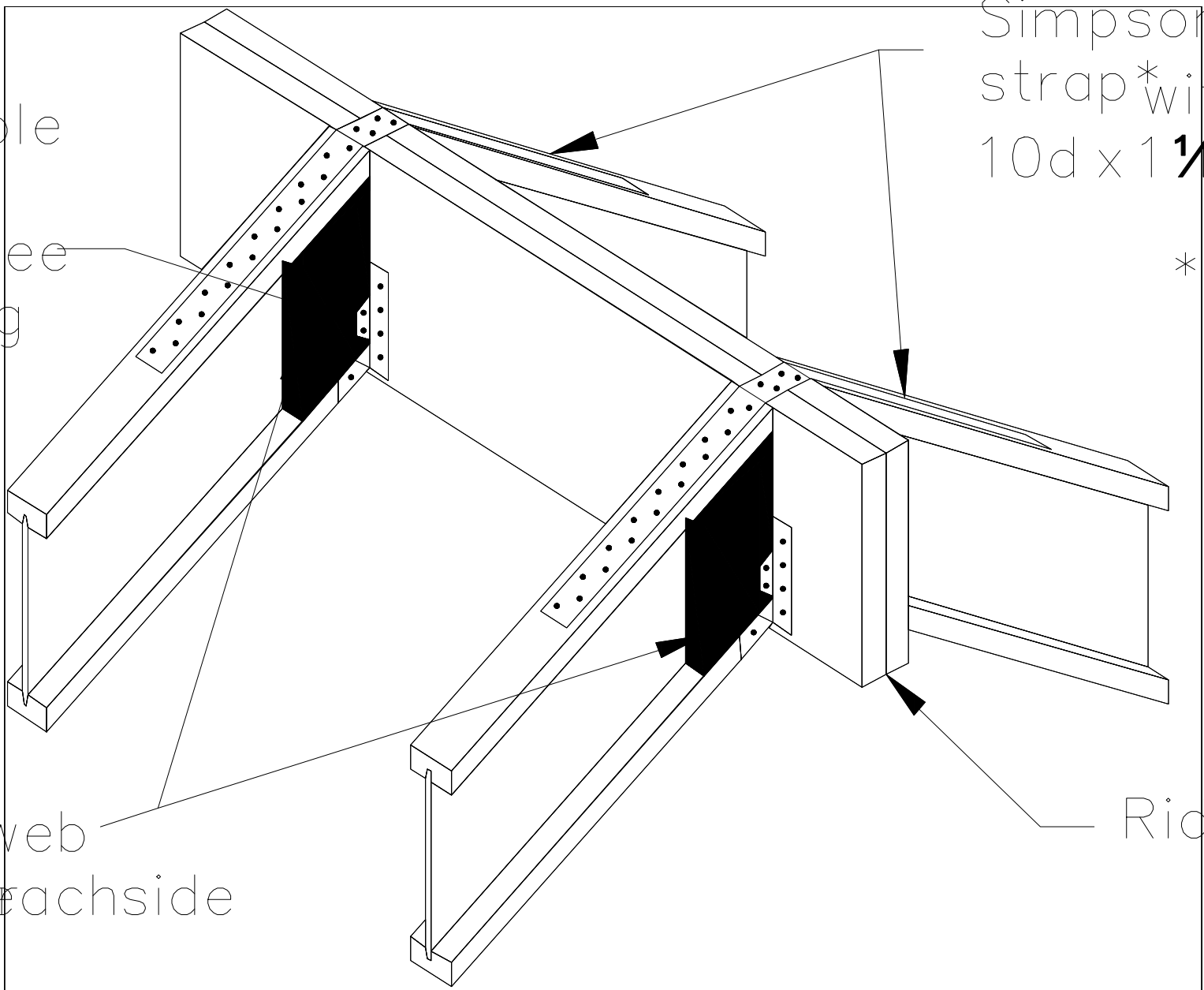


2a RIDGE JOIST CONNECTION - 12/12 MAXIMUM SLOPE

Adjustable slope hanger (see Roseburg EWP Design Guide)



Simpson STA21 strap\* with (16) 10d x 1 1/4" nails

\* Strap required for members with slope greater than 3/12.

Beveled web stiffener each side

Ridge beam