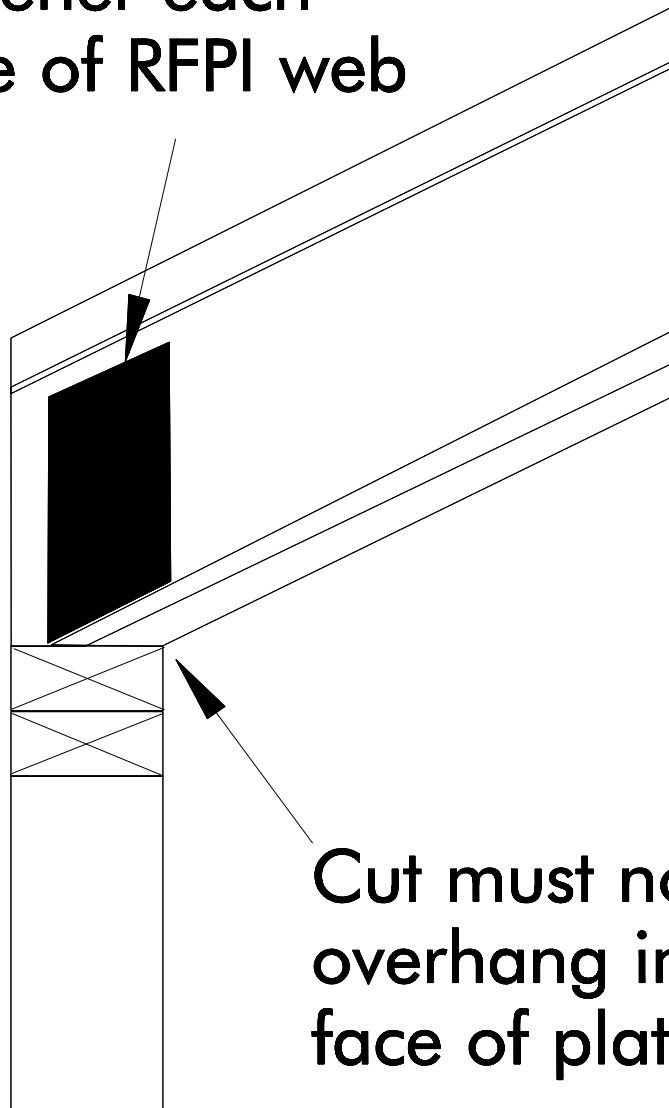


2d sim.

BIRDSMOUTH CUT, NO OVERHANG - LOW END OF RFPI®-JOIST ONLY

Beveled web
stiffener each
side of RFPI web



Note:

Blocking panel not
shown for clarity