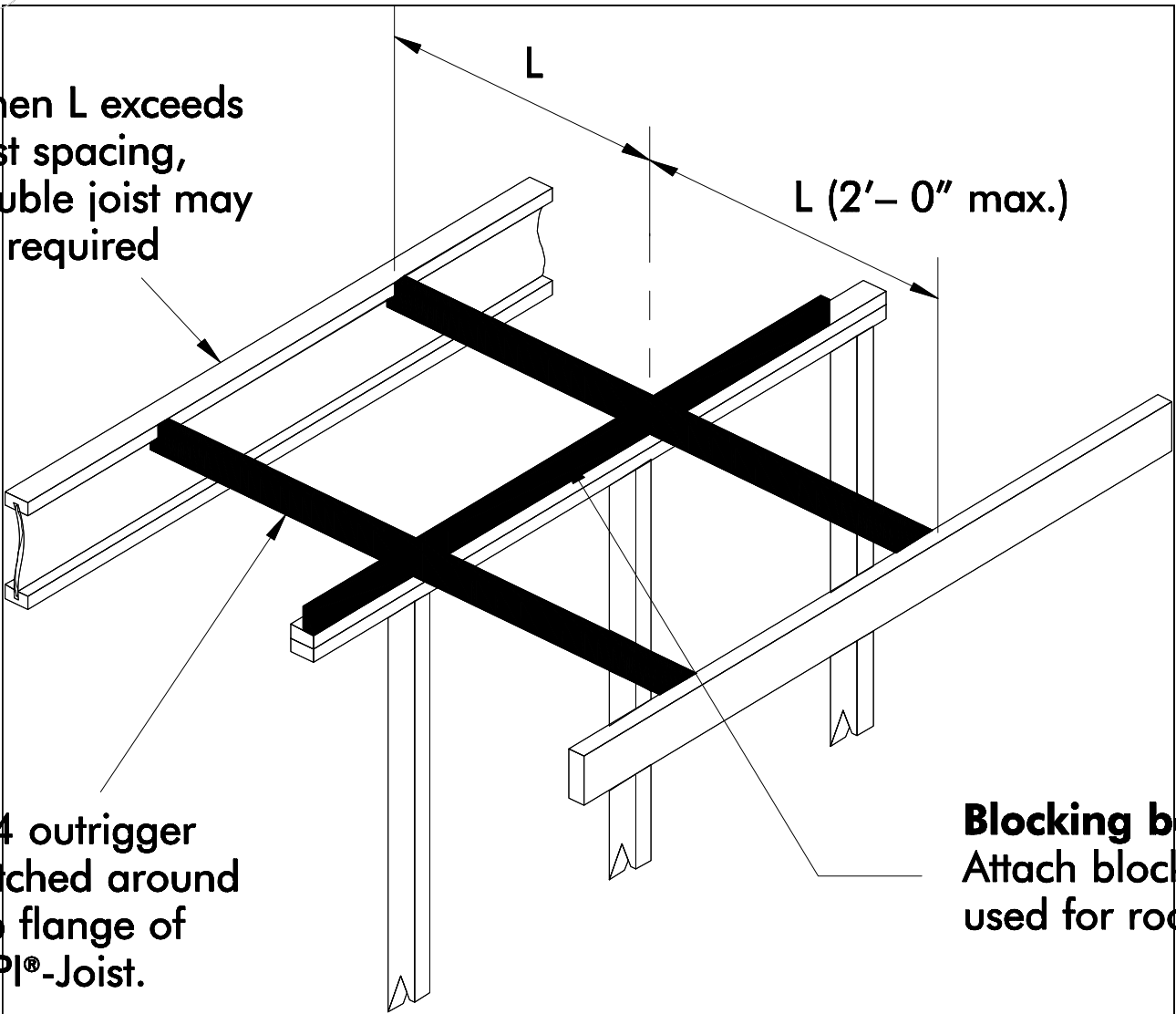


**2m OVERHANG PARALLEL TO RFPI®-JOIST**

When L exceeds joist spacing, double joist may be required



2x4 outrigger notched around top flange of RFPI®-Joist.

**Blocking between outriggers.**  
Attach blocking to top plate with nail size and spacing used for roof sheathing edge nailing.

**Uplift connections may be required.**