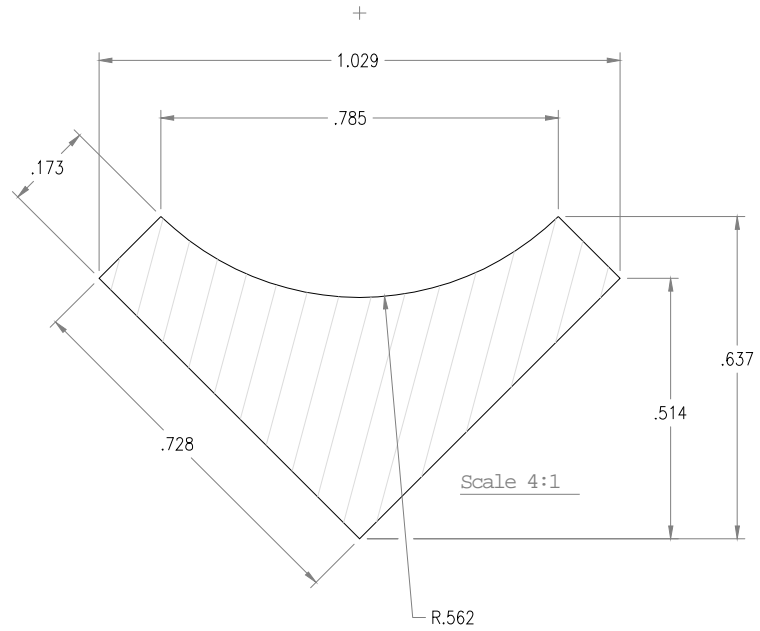
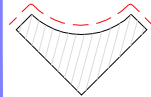


Finished Surface



Scale 4:1

Scale 1:1



| SEQ: | DATE: | DESCRIPTION: | BY: |
|------|-------|--------------|-----|
| | | | |
| | | | |
| | | | |
| | | | |
| | | | |
| | | | |

Scotia/Cove

| | | | |
|------------|--------------|------------|----------------|
| CUSTOMER: | SUBSTRATE: | TOT. AREA: | DRAWN: dj |
| CUST. DWG: | FINISH PERM: | CELL AREA: | DATE: 06/19/08 |
| LIAISON: | BENDABLE? | CAP AREA: | SCALE: NOTED |
| PROCESS: | EMBOSSSED? | FLEX AREA: | PROJECT: A |
| | | RIG. AREA: | |

UNSPEC. DIMENSIONS ARE REF.
BOXED DIMENSIONS ARE ± 0.016
BOXED ANGLE DIMS ARE ± 1.0'

UNSPEC. INSIDE RADI: 0.010
UNSPEC. OUTSIDE RADI: 0.010
UNSPEC. FLATNESS - FLAT/CONCAVE