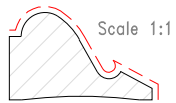
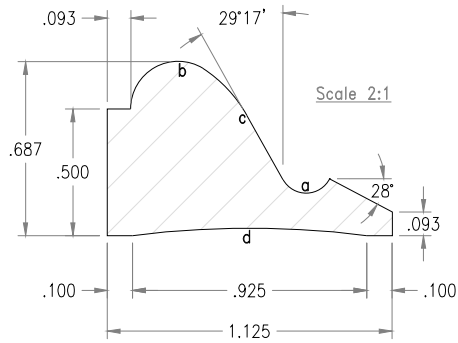


Finished Surface



RADI:
a - 0.104
b - 0.187
c - 0.531
d - 3.580

SEQ:	DATE:	DESCRIPTION:	BY:

Base Cap WM164

CUSTOMER:	SUBSTRATE:	TOT. AREA:	DRAWN: RBC
CUST. DWG:	FINISH PERM:	CELL AREA:	DATE: 5/22/95
LIAISON:	BENDABLE?	CAP AREA:	SCALE: NOTED
PROCESS:	EMBOSSSED?	FLEX AREA:	PROJECT: A
		RIG. AREA:	

UNSPEC. DIMENSIONS ARE REF.
BOXED DIMENSIONS ARE ± 0.016
BOXED ANGLE DIMS ARE ± 1.0'

UNSPEC. INSIDE RADI 0.010
UNSPEC. OUTSIDE RADI 0.010
UNSPEC. FLATNESS - FLAT/CONCAVE