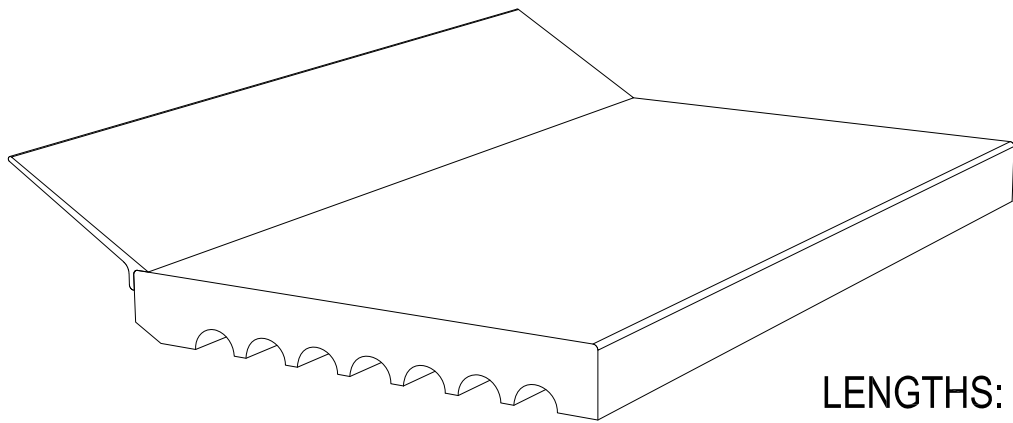
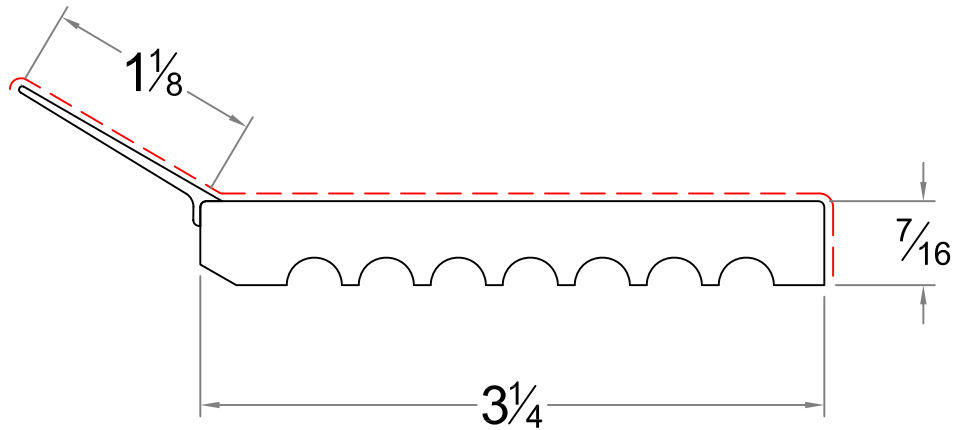


U.S. PATENT PENDING: 62/687,749



LENGTHS: 7' THRU 18'

**NOTES:**

1. INSTALLATION TO BE IN ACCORDANCE WITH MANUFACTURER'S SPECIFICATIONS.
2. DO NOT SCALE PRINTED DRAWING.
3. THIS DRAWING IS INTENDED FOR USE BY ARCHITECTS, ENGINEERS, CONTRACTORS, CONSULTANTS AND DESIGN PROFESSIONALS FOR PLANNING PURPOSES ONLY.
4. CONTRACTOR'S NOTE: FOR PRODUCT AND COMPANY INFORMATION VISIT [www.royalbuildingproducts.com](http://www.royalbuildingproducts.com)

**2591**  
 SCALE 1:1

**Architectural Uniflex Thermostop**