

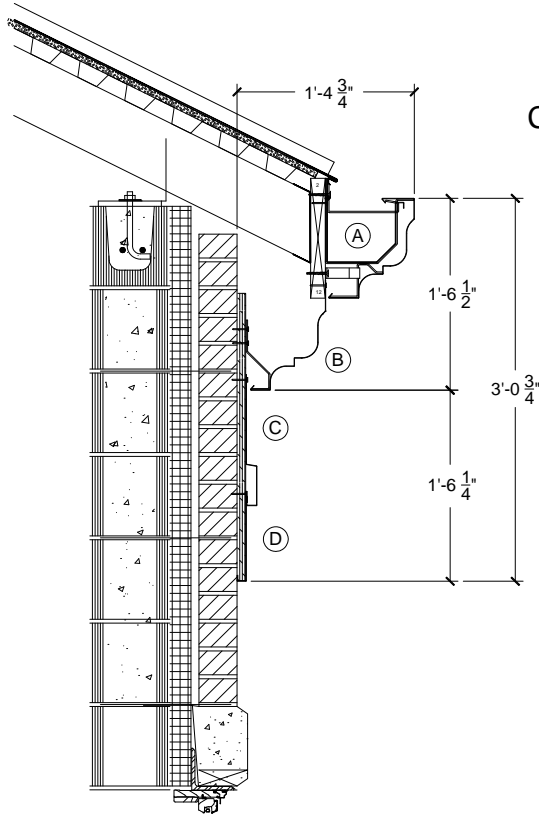
SUBMITTAL / DATA SHEET

Perimeter
Systems

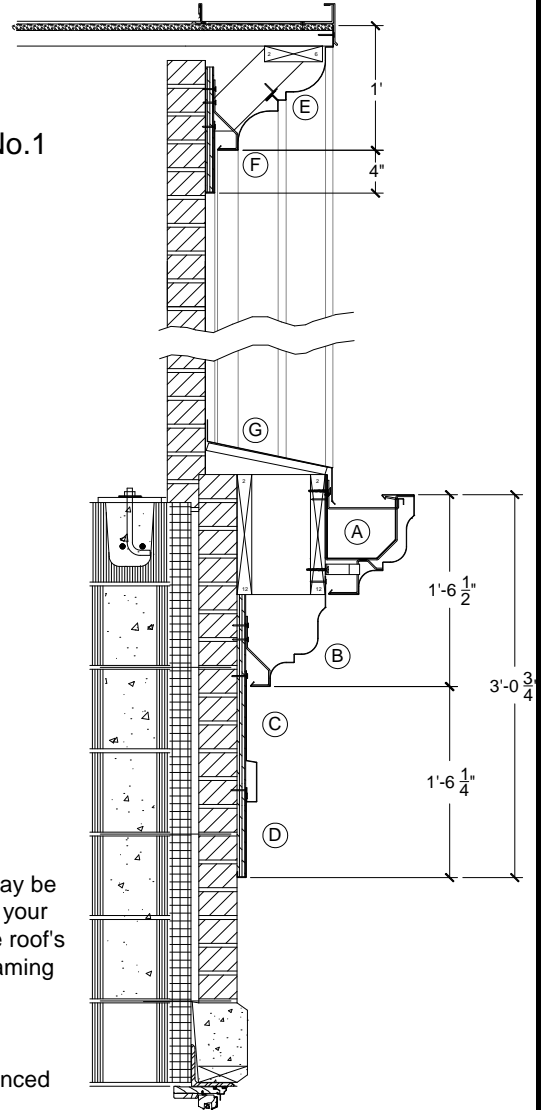
Innovative Aluminum Architecture

A division of **SAF**

8370 East Hwy 78
Villa Rica, GA 30180
800-334-9823 770-942-1207 Fax 942-4173



CORNICE DESIGN No.1



- (A) Perimeter System's Designer Series DSR "Roman Profile". Either the 6" or 8" profile may be used with this cornice design. If your project is subject to snow and ice conditions, and your distance to the roof ridge is greater than 15' then you should lower the gutter below the roof's ice plane. You should also consider using snow guards. Simple adjustments to your framing will allow lowering the gutter system.
- (B) 8" Roman Moulding, style 3, mounted onto cornice brackets spaced at 30" centers.
- (C) Batten Trim Moulding, style B, used as a frieze fascia. This moulding hooks onto the lanced edge of the architrave moulding. Omit this moulding for the Contemporary Design.
- (D) J-Trim Moulding, style A, used as the architrave. This moulding hooks onto the wood fascia and has a lanced upper edge for cleating its mating frieze. Omit this moulding for the Contemporary Design.
- (E) Convex Moulding, style 4.
- (F) Concave Moulding, style 3.
- (G) Shelf Flashing.

Drawing No. 33

SUBMITTAL / DATA SHEET

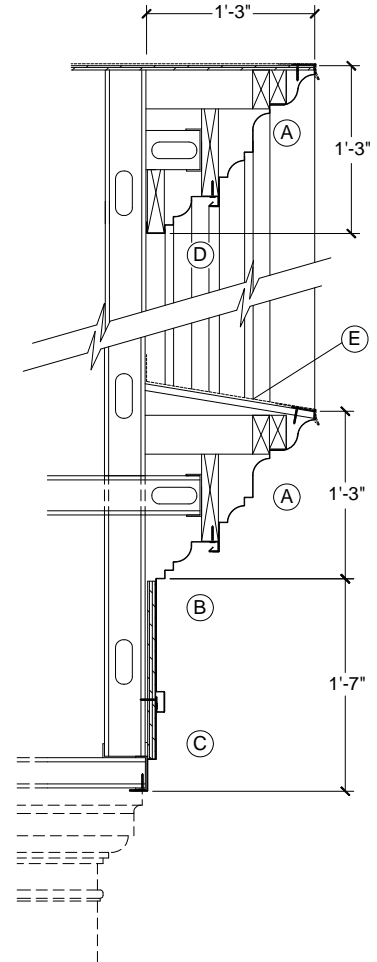
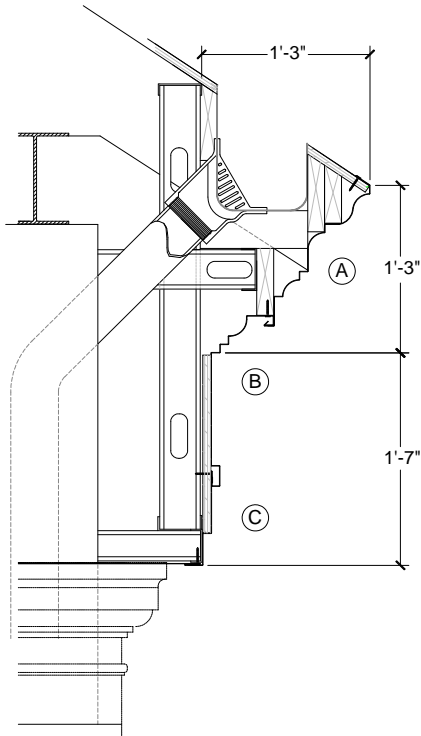
Perimeter
Systems

Innovative Aluminum Architecture

A division of **SAF**

8370 East Hwy 78
Villa Rica, GA 30180
800-334-9823 770-942-1207 Fax 942-4173

CORNICE DESIGN No.2



- (A) Crown Moulding.
- (B) Batten Trim Moulding, style B, used as a frieze fascia. This moulding hooks onto the lanced edge of the architrave moulding. Omit this moulding for the Contemporary Design.
- (C) J-Trim Moulding, style A, used as the architrave. This moulding hooks onto the wood fascia and has a lanced upper edge for cleating its mating frieze. Omit this moulding for the Contemporary Design.
- (D) Convex Moulding, style 4 - modified.
- (E) Shelf Flashing.

Drawing No. 34

SUBMITTAL / DATA SHEET

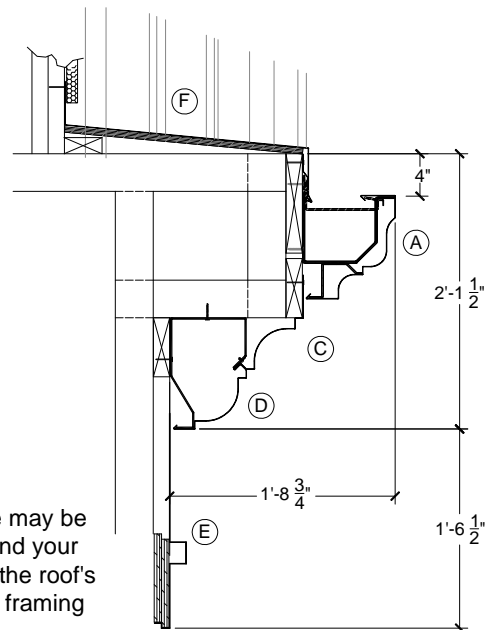
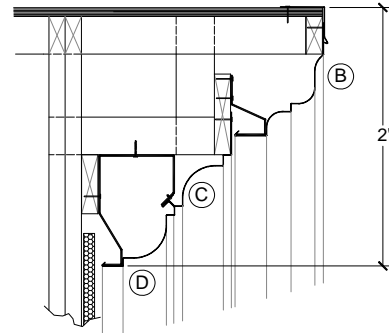
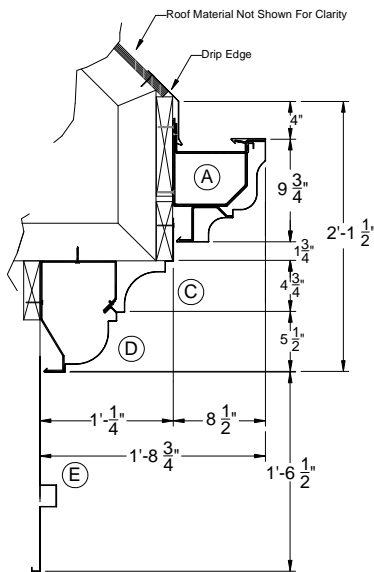
Perimeter
Systems

Innovative Aluminum Architecture

A division of **SAF**

8370 East Hwy 78
Villa Rica, GA 30180
800-334-9823 770-942-1207 Fax 942-4173

CORNICE DESIGN No.3



- (A) Perimeter System's Designer Series DSR "Roman Profile". Either the 6" or 8" profile may be used with this cornice design. If your project is subject to snow and ice conditions, and your distance to the roof ridge is greater than 15' then you should lower the gutter below the roof's ice plane. You should also consider using snow guards. Simple adjustments to your framing will allow lowering the gutter system.
- (B) 8" Roman Moulding, style 3, mounted onto cornice brackets spaced at 30" centers.
- (C) 3" Concave Moulding, style 4, mounted onto cornice brackets installed at 30" centers.
- (D) Convex Moulding, style 3, mounted onto cornice brackets installed at 30" centers.
- (E) Large Frieze Moulding, style B modified with batten profile, hooked onto trim boards. Omit for the Contemporary Design.
- (F) Shelf Flashing.

Drawing No. 35

SUBMITTAL / DATA SHEET

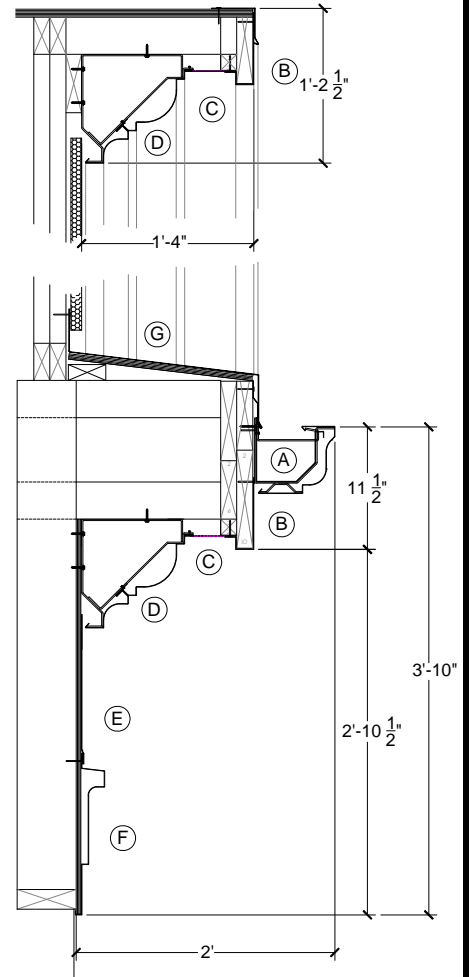
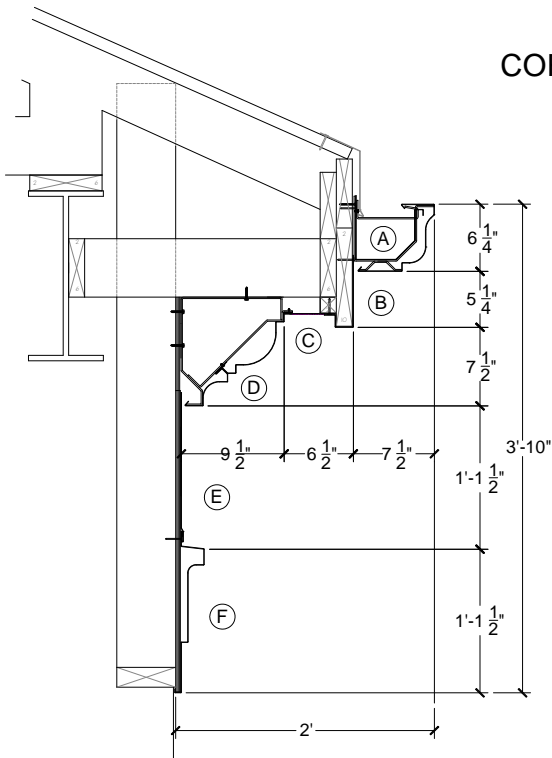
Perimeter
Systems

Innovative Aluminum Architecture

A division of **SAF**

8370 East Hwy 78
Villa Rica, GA 30180
800-334-9823 770-942-1207 Fax 942-4173

CORNICE DESIGN No.4



- (A) Perimeter System's Designer Series DSC "Colonial Profile". Either the 6" or 8" profile may be used with this cornice design. If your project is subject to snow and ice conditions, and your distance to the roof ridge is greater than 15' then you should lower the gutter below the roof's ice plane. You should also consider using snow guards. Simple adjustments to your framing will allow lowering the gutter system.
- (B) J-Cover, soffit model style B.
- (C) Soffit Vent.
- (D) Convex & Concave Mouldings.
- (E) Architrave - Large Frieze Moulding, style A. Moulding hooks onto trim boards. Omit for the Contemporary Design.
- (F) Shelf Flashing.

Drawing No. 36

SUBMITTAL / DATA SHEET

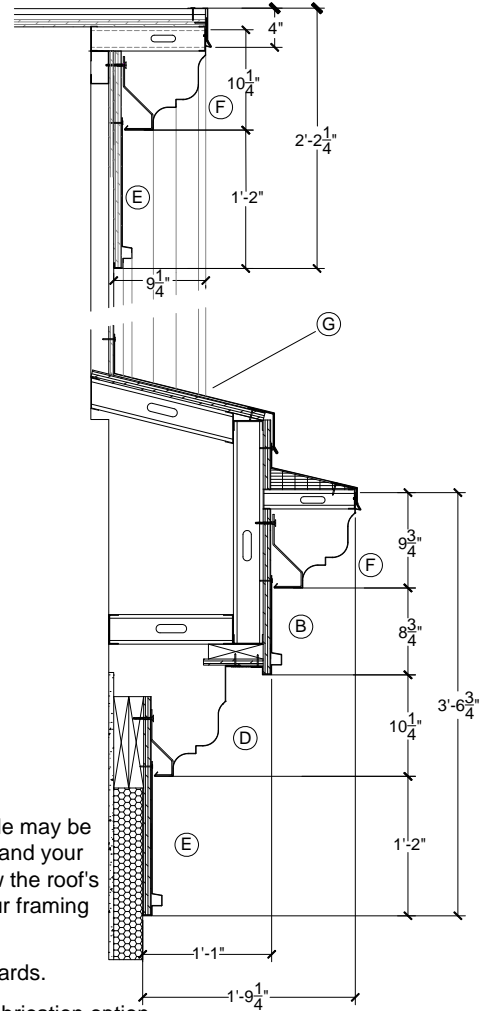
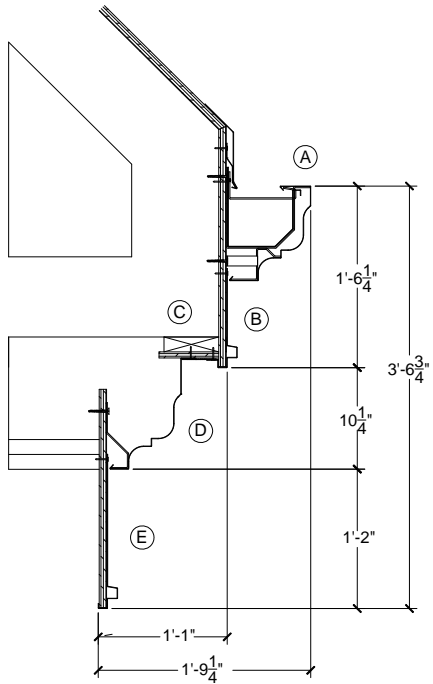
Perimeter
Systems

Innovative Aluminum Architecture

A division of **SAF**

8370 East Hwy 78
Villa Rica, GA 30180
800-334-9823 770-942-1207 Fax 942-4173

CORNICE DESIGN No.5



- (A) Perimeter System's Designer Series DSR "Roman Profile". Either the 6" or 8" profile may be used with this cornice design. If your project is subject to snow and ice conditions, and your distance to the roof ridge is greater than 15' then you should lower the gutter below the roof's ice plane. You should also consider using snow guards. Simple adjustments to your framing will allow lowering the gutter system.
- (B) Box Trim Moulding, style B, used as a frieze fascia and mounts hooks onto trim boards.
- (C) Venting is possible with the addition of louvers. Please inquire about this special fabrication option.
- (D) 8" Roman Moulding, style 4, mounted onto cornice brackets spaced at 30" centers.
- (E) Box Trim Moulding, style A, used as the architrave. This moulding hooks onto the wood fascia. Omit this moulding for the Contemporary Design.
- (F) 8" Roman Moulding, style 3, mounted onto cornice brackets installed at 30" centers.
- (G) Shelf Flashing.

Drawing No. 37

SUBMITTAL / DATA SHEET

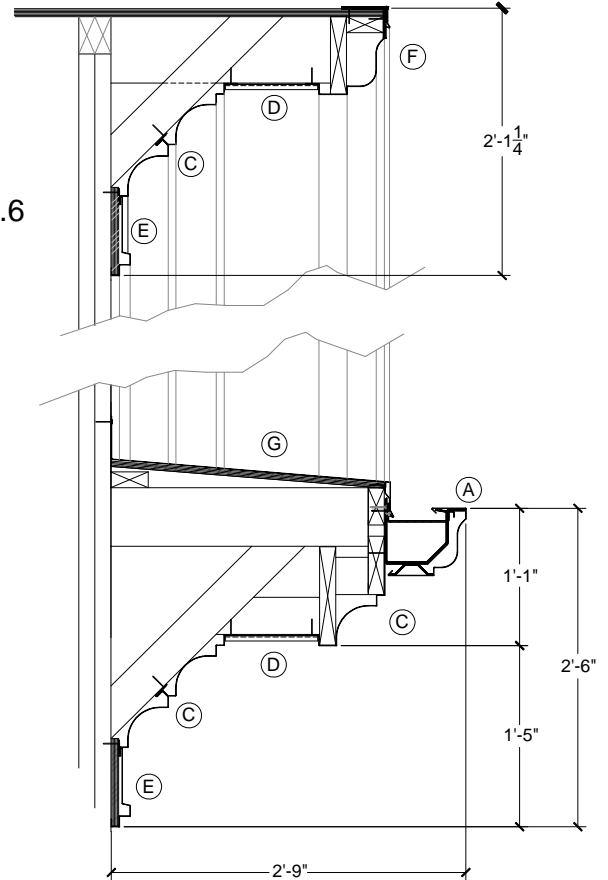
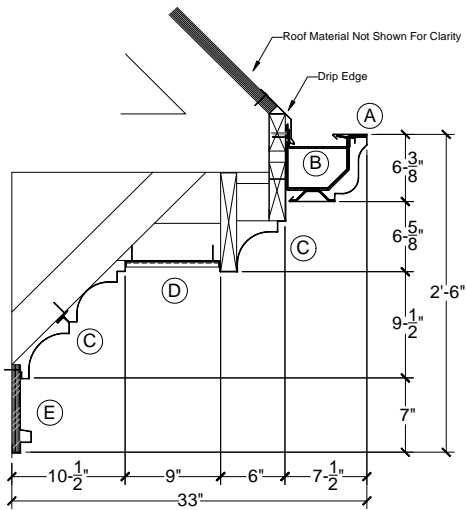
Perimeter
Systems

Innovative Aluminum Architecture

A division of **SAF**

8370 East Hwy 78
Villa Rica, GA 30180
800-334-9823 770-942-1207 Fax 942-4173

CORNICE DESIGN No.6



- (A) Perimeter System's Designer Series DSC "Colonial Profile". Either the 6" or 8" profile may be used with this cornice design. If your project is subject to snow and ice conditions, and your distance to the roof ridge is greater than 15' then you should lower the gutter below the roof's ice plane. You should also consider using snow guards. Simple adjustments to your framing will allow lowering the gutter system.
- (B) Liner and bracket assembly.
- (C) 3" Concave Mould Type 1 & 4.
- (D) Soffit Panels with interlocking joints, soffit may be ordered solid or vented.
- (E) Frieze - Box Trim, style A, hooked onto trim boards. Omit for the Contemporary Design.
- (F) Colonial Fascia Rake Mould, style 3. Rake Fascia hooks onto trim boards.
- (G) Shelf Flashing.

Drawing No. 38

SUBMITTAL / DATA SHEET

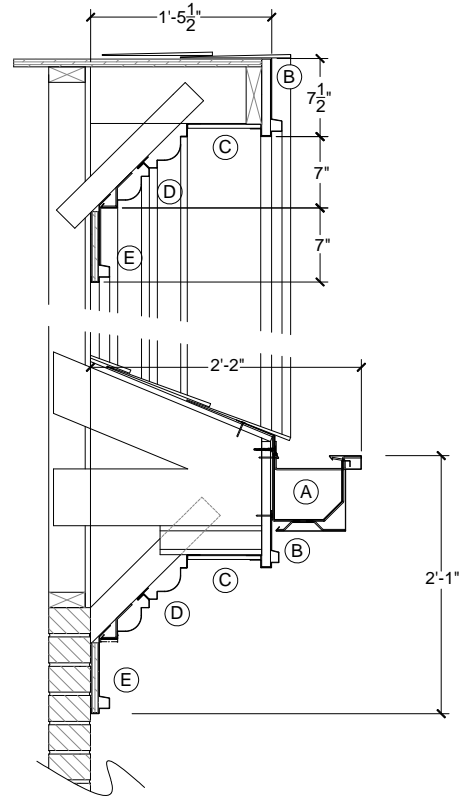
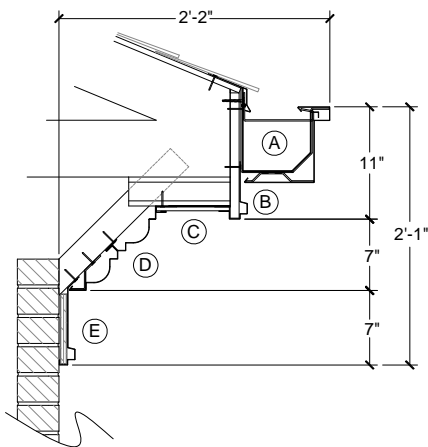
Perimeter
Systems

Innovative Aluminum Architecture

A division of **SAF**

8370 East Hwy 78
Villa Rica, GA 30180
800-334-9823 770-942-1207 Fax 942-4173

CORNICE DESIGN No.7



- (A) Perimeter System's Designer Series DSB "Batten Profile". Either the 6" or 8" profile may be used with this cornice design. If your project is subject to snow and ice conditions, and your distance to the roof ridge is greater than 15' then you should lower the gutter below the roof's ice plane. You should also consider using snow guards. Simple adjustments to your framing will allow lowering the gutter system.
- (B) Box Trim, style B, for soffit mounting.
- (C) Soffit Panel, full vented & solid available.
- (D) 1- $\frac{1}{2}$ " dual convex mouldings, styles 3 & 4, mounted onto cornice brackets.
- (E) Box Trim, style A, for trim mounting.

Drawing No. 39

SUBMITTAL / DATA SHEET

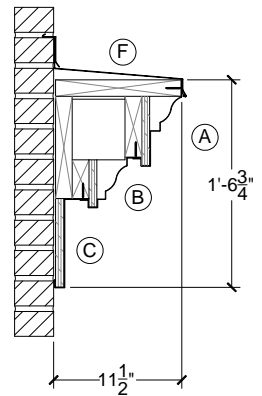
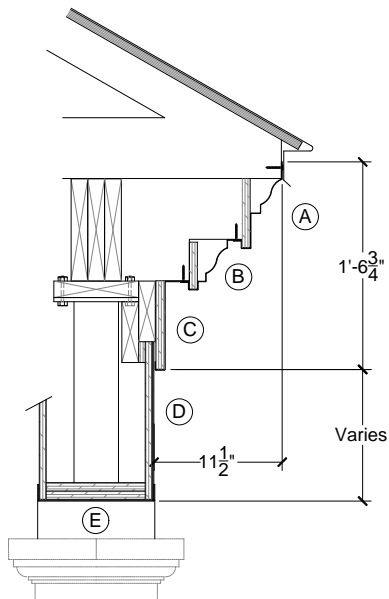
Perimeter
Systems

Innovative Aluminum Architecture

A division of **SAF**

8370 East Hwy 78
Villa Rica, GA 30180
800-334-9823 770-942-1207 Fax 942-4173

CORNICE DESIGN No.8



- (A) Cornice Crown Moulding, style 1.
- (B) Cornice Crown Moulding, style 2, mounted onto wood framing.
- (C) Frieze J-Cover, style C, mounted onto wood framing.
- (D) Custom moulding fabricated in an arch for the architrave.
- (E) Custom soffit fabricated in an arch.
- (F) Shelf Flashing.

Drawing No. 40

SUBMITTAL / DATA SHEET

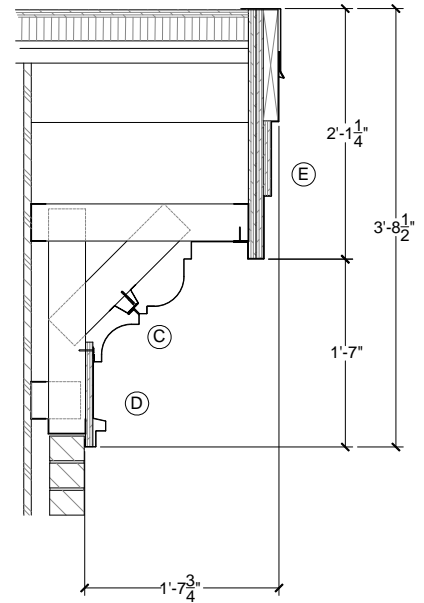
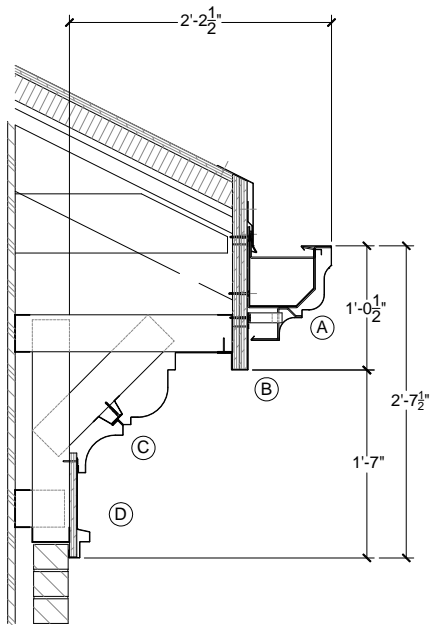
Perimeter
Systems

Innovative Aluminum Architecture

A division of **SAF**

8370 East Hwy 78
Villa Rica, GA 30180
800-334-9823 770-942-1207 Fax 942-4173

CORNICE DESIGN No.9



- (A) Perimeter System's Designer Series DSR "Roman Profile". Either the 6" or 8" profile may be used with this cornice design. If your project is subject to snow and ice conditions, and your distance to the roof ridge is greater than 15' then you should lower the gutter below the roof's ice plane. You should also consider using snow guards. Simple adjustments to your framing will allow lowering the gutter system.
- (B) J-Cover, soffit model style B.
- (C) 3" Concave Moulding, style 3 & 3" convex moulding style 4.
- (D) Box Trim, style A, for trim mounting.
- (E) Custom rake fascia.

Drawing No. 41

SUBMITTAL / DATA SHEET

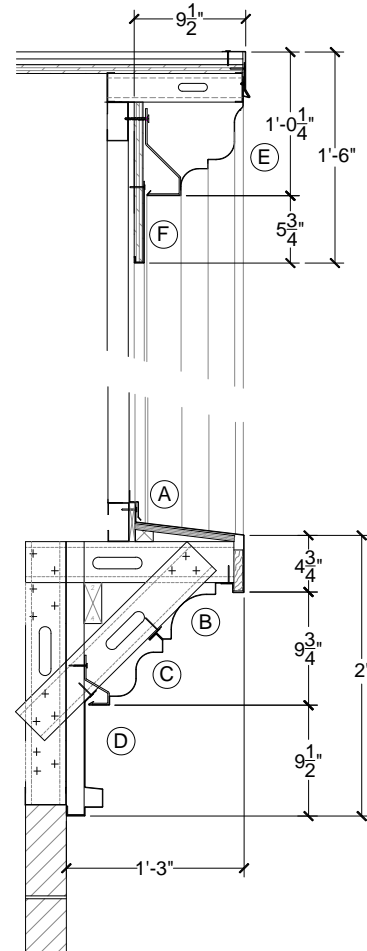
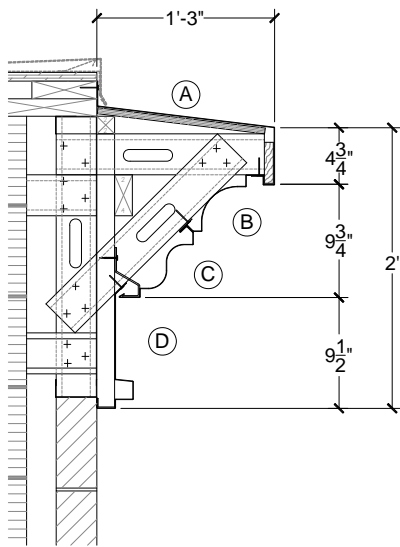
Perimeter
Systems

Innovative Aluminum Architecture

A division of **SAF**

8370 East Hwy 78
Villa Rica, GA 30180
800-334-9823 770-942-1207 Fax 942-4173

CORNICE DESIGN No.10



- (A) Shelf Flashing designed to form a fascia wrap.
- (B) 3" Concave Moulding, style 4 (modified for soffit mounting), mounted to framing.
- (C) LZ-1 Moulding, style 3, attached to framing and mounted onto cornice brackets.
- (D) Box Trim Frieze moulding, style A, hooked onto trim boards.
- (E) 8" Roman Cornice Moulding mounted on roof surface and hooked onto cornice brackets.
- (F) J-Cover Frieze Moulding installed over wood trims.

Drawing No. 42

SUBMITTAL / DATA SHEET

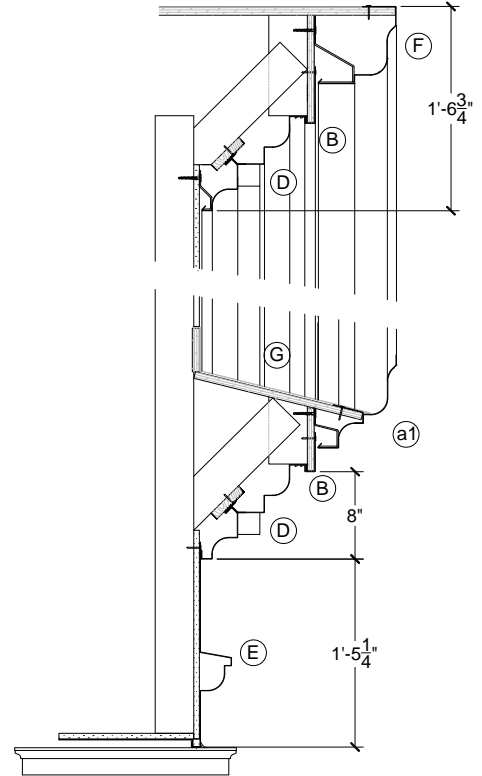
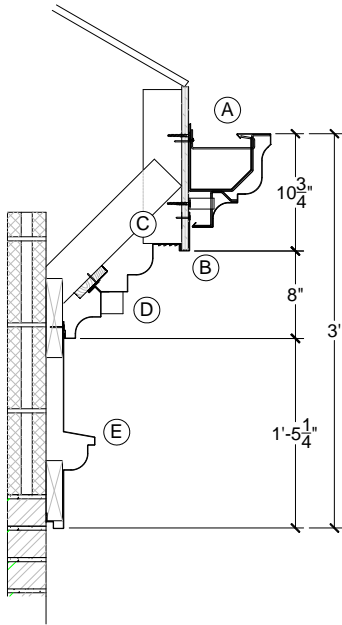
Perimeter
Systems

Innovative Aluminum Architecture

A division of **SAF**

8370 East Hwy 78
Villa Rica, GA 30180
800-334-9823 770-942-1207 Fax 942-4173

CORNICE DESIGN No.11



- (A) Perimeter System's Designer Series DSR "Roman Profile". Either the 6" or 8" profile may be used with this cornice design. If your project is subject to snow and ice conditions, and your distance to the roof ridge is greater than 15' then you should lower the gutter below the roof's ice plane. You should also consider using snow guards. Simple adjustments to your framing will allow lowering the gutter system.
- (a1) Custom Roman miter to join with rake edge.
- (B) J-Cover, style B.
- (C) This call out is used to identify venting which is possible with most of our cornice trims. We offer louver and perforated holes for venting.
- (D) Convex & Concave Mouldings.
- (E) Large Frieze Fascia, style 3, hooked onto trim boards.
- (F) 6" Colonial Rake Trim, style 2, fastened to roof deck and hooked onto cornice brackets.
- (G) Shelf Flashing.

Drawing No. 43

SUBMITTAL / DATA SHEET

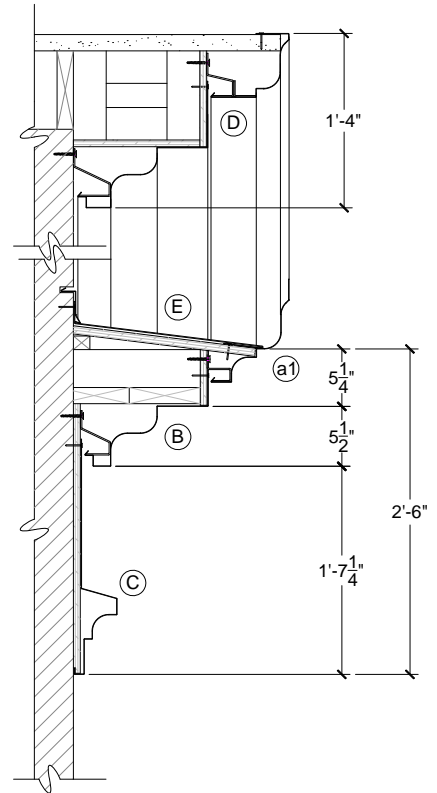
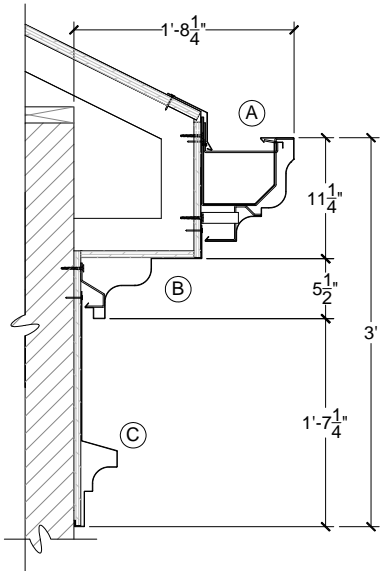
Perimeter
Systems

Innovative Aluminum Architecture

A division of **SAF**

8370 East Hwy 78
Villa Rica, GA 30180
800-334-9823 770-942-1207 Fax 942-4173

CORNICE DESIGN No.12



- Ⓐ Perimeter System's Designer Series DSR "Roman Profile". Either the 6" or 8" profile may be used with this cornice design. If your project is subject to snow and ice conditions, and your distance to the roof ridge is greater than 15' then you should lower the gutter below the roof's ice plane. You should also consider using snow guards. Simple adjustments to your framing will allow lowering the gutter system.
- ⓐ Custom Roman miter to join with rake edge.
- Ⓑ LZ-2 Trim Moulding, style 5 modified for a large soffit.
- Ⓒ Large Frieze Moulding, style C.
- Ⓓ 6" Colonial Rake Trim, style 2, fastened to roof deck and hooked onto cornice brackets.
- Ⓔ Shelf Flashing.

Drawing No. 44

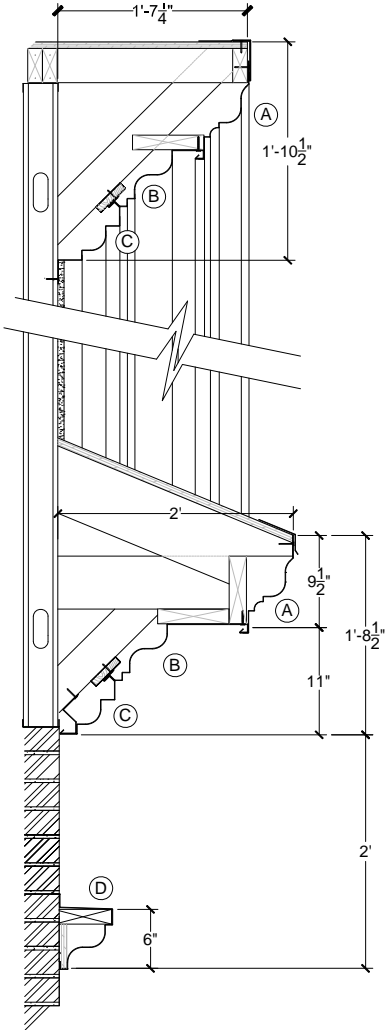
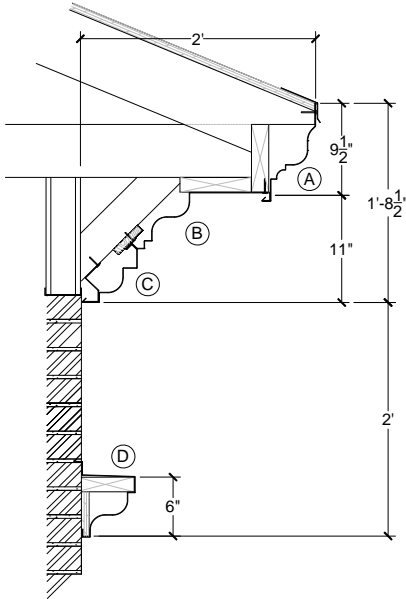
SUBMITTAL / DATA SHEET

Perimeter Systems
Innovative Aluminum Architecture

A division of **SAF**

8370 East Hwy 78
 Villa Rica, GA 30180
 800-334-9823 770-942-1207 Fax 942-4173

CORNICE DESIGN No.14



- (A) Crown Cornice Moulding, style 3. The rake cornice utilizes the same moulding with a smaller soffit.
- (B) LZ-2 Moulding, style 4 modified.
- (C) 1-1/2" Convex Moulding, style 3, mounting onto cornice brackets.
- (D) LZ-2 Moulding, style 5 modified, hooked onto wood substrates.

SUBMITTAL / DATA SHEET

Perimeter
Systems

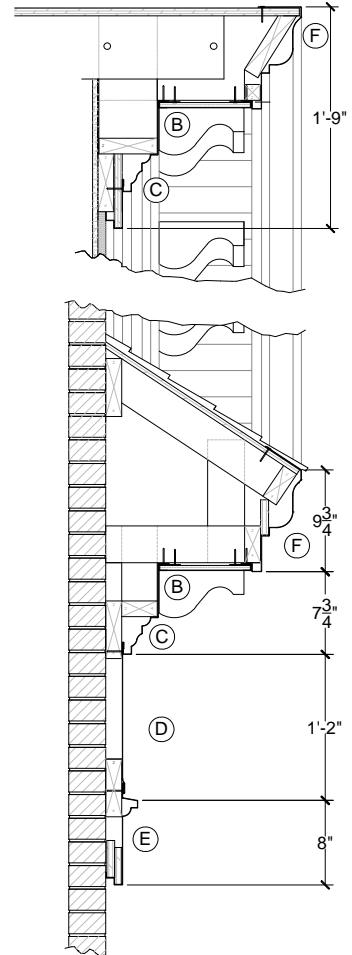
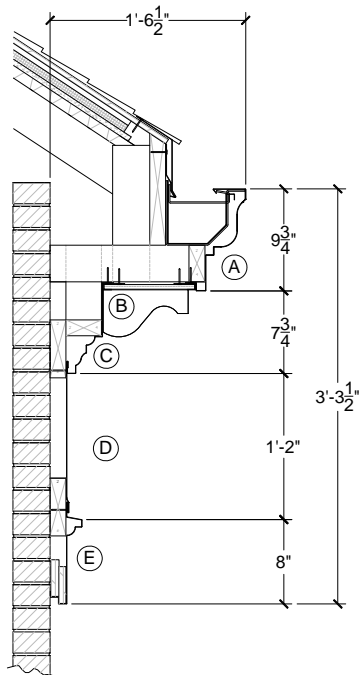
Innovative Aluminum Architecture

A division of



8370 East Hwy 78
Villa Rica, GA 30180
800-334-9823 770-942-1207 Fax 942-4173

CORNICE DESIGN No.15



- (A) Perimeter Systems' Designer Series DSC "Colonial" modified for a soffit closure.
- (B) Soffit Panels with interlocking joints, soffit may be ordered solid or vented.
- (C) Crown Moulding, style 7, hooked onto lanced edge of a custom sized frieze extender.
- (D) Custom Frieze Extender.
- (E) Large Frieze Moulding, style B, hooked onto wood trims.
- (F) Colonial Moulding, Style 2, modified to match the gutter's fascia.

Drawing No. 46

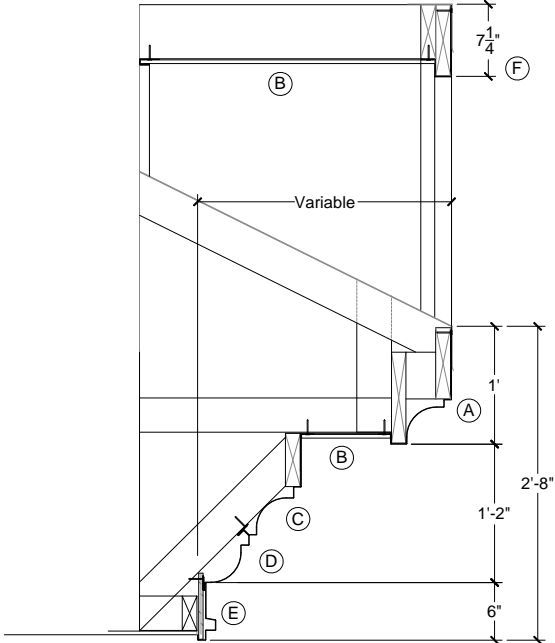
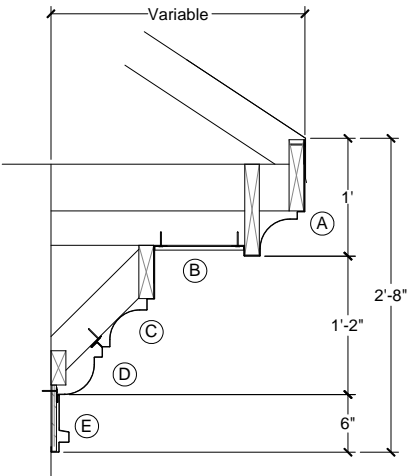
SUBMITTAL / DATA SHEET

Perimeter Systems
Innovative Aluminum Architecture

A division of **SAF**

8370 East Hwy 78
 Villa Rica, GA 30180
 800-334-9823 770-942-1207 Fax 942-4173

CORNICE DESIGN No.16



- (A) 3" Concave Moulding, style.
- (B) Soffit Panels, available full vented, half vented and solid.
- (C) 3" Concave Moulding, style 4.
- (D) 3" Concave Moulding, style 1.
- (E) Frieze: Box Trim Moulding, style 1.
- (F) J-Cover Moulding, style B.