

SUBMITTAL / DATA SHEET

Perimeter
Systems

Innovative Aluminum Architecture

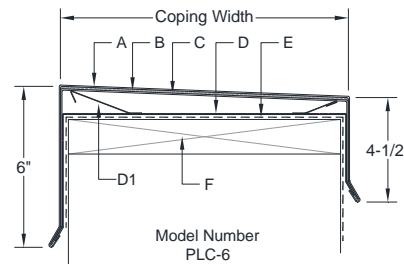
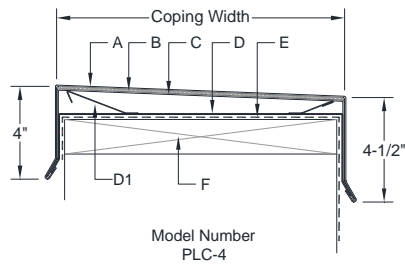
A division of **SAF**

8370 East Hwy 78
Villa Rica, GA 30180
800-334-9823 770-942-1207 Fax 942-4173

PRESS-LOC COPING

Available Thickness
0.040" Aluminum
0.050" Aluminum
0.063" Aluminum
0.080" Aluminum
0.090" Aluminum
0.125" Aluminum

- (A) Snap-on decorative aluminum coping, 10' lengths. Joint treatment consists of a $\frac{3}{8}$ " expansion reveal, 6" wide concealed splice plate and gaskets.
- (B) Gasket strips, field applied to full width and both sides of concealed splice plate.
- (C) Concealed splice plate, 0.050" aluminum. When installed with gaskets, splice plate diverts water to roof side.
- (D) Compression Cleats, 16 gauge galvanized steel.
- (D1) Stainless steel spring cleats factory welded to compression cleats.
- (E) Elastomeric roof membrane extends over parapet and face fastened - see membrane manufacturer's specs.
- (F) Continuous wood plate and roof parapet.



Coping Width	Cleat Spacing Wind Velocity Ratings								
	1-60	1-75	1-90	1-105	1-120	1-135	1-150	1-165	1-180
6"	2	2	2	2	2	2	2	2	2
7"	2	2	2	2	2	2	2	2	3
8"	2	2	2	2	2	2	2	3	3
9"	2	2	2	2	2	3	3	3	3
10"	2	2	2	2	2	3	3	3	3
11"	2	2	2	2	3	3	3	4	4
12"	2	2	2	3	3	3	3	4	4
13"	2	2	2	3	3	3	4	4	4
14"	2	2	3	3	3	4	4	4	5
15"	2	2	3	3	3	4	4	5	5
16"	2	2	3	3	4	4	4	5	5
17"	2	3	3	3	4	4	5	5	N/A
18"	2	3	3	4	4	5	5	5	N/A
19"	2	3	3	4	4	5	5	N/A	N/A
20"	2	3	3	4	4	5	5	N/A	N/A
21"	2	3	4	4	5	5	N/A	N/A	N/A
22"	2	3	4	4	5	5	N/A	N/A	N/A
23"	2	3	4	5	5	N/A	N/A	N/A	N/A
24"	2	3	4	5	5	N/A	N/A	N/A	N/A

Drawing No. 80

Perimeter Systems

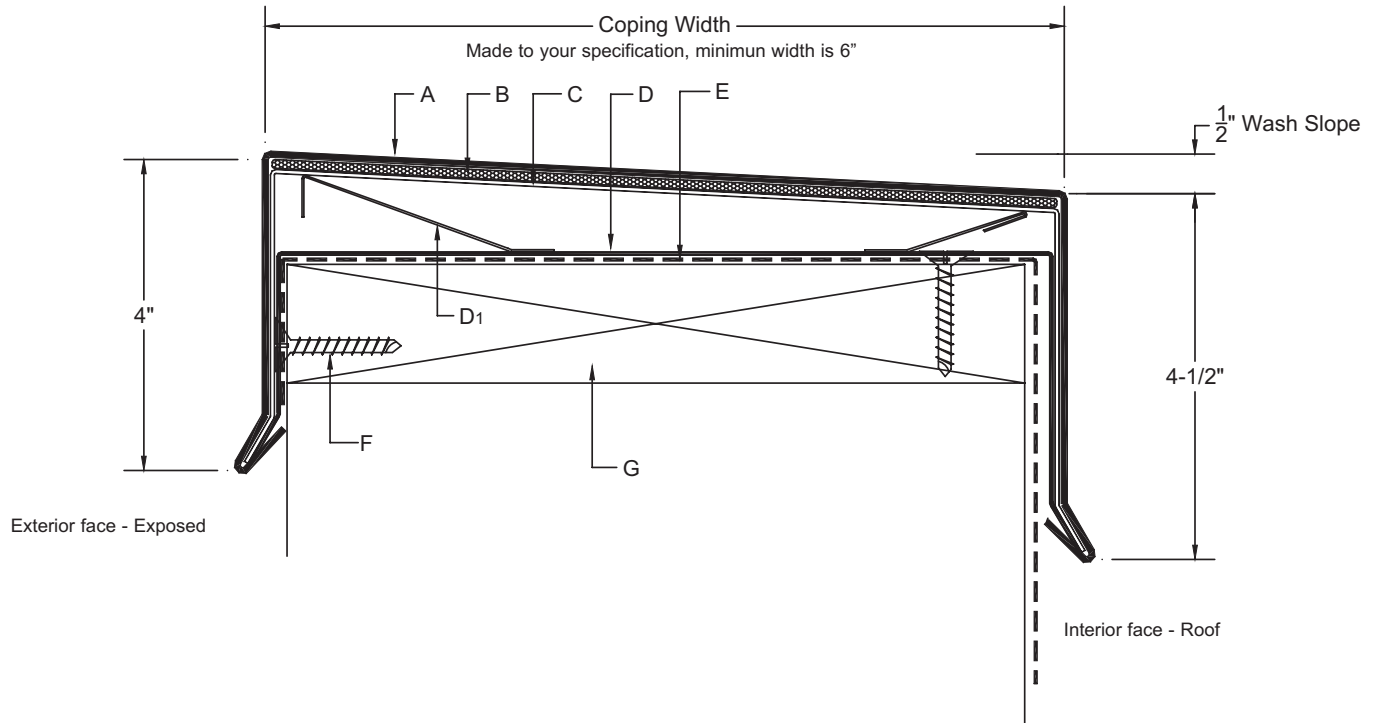
Innovative Aluminum Architecture

A division of



PRESS-LOC COPING

MODEL NUMBER
PLC-4



- A** Snap-on decorative aluminum coping, 10' lengths. Joint treatment consists of a 3/8" expansion reveal, 6" wide concealed gutter splice plate and gaskets.
- B** Gasket strips, field applied to full width and both sides of concealed gutter splice plate.
- C** Concealed gutter splice plate, 0.050" aluminum. When installed with gaskets, splice plates diverts water to roof side.
- D** Compression Cleats, 16 ga. galvanized steel installed @ 30" centers and at all joint locations.
- D1** Stainless steel spring clips factory welded to compression cleat.
- E** Elastomeric roof membrane extends over parapet plate and face fastened - see membrane manufacturer's specifications.
- F** #12 x 1-1/2" wood screws, (4 required)
- G** Continuous wood plate & roof parapet.

Please visit us at www.perimeter-systems.com for Factory Mutual ratings and warranties.

METAL OPTIONS	FINISH OPTIONS
0.040" Aluminum	EZ Mix Kynar
0.050" Aluminum	Custom Kynar
0.063" Aluminum	Clear Anodized
0.080" Aluminum	Integral Color Anodized
0.090" Aluminum	Mill Finish

Default selections are in **BOLD**

Perimeter Systems

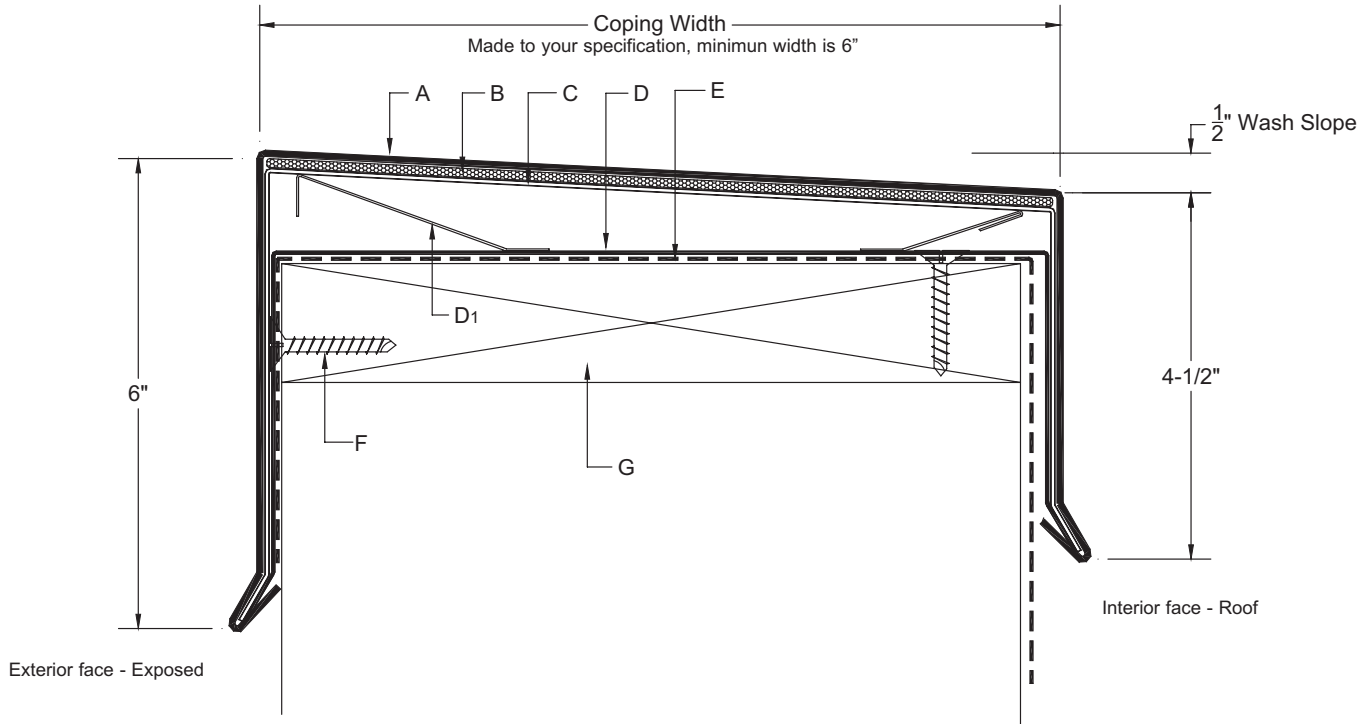
Innovative Aluminum Architecture

A division of



PRESS-LOC COPING

MODEL NUMBER
PLC-6



- A** Snap-on decorative aluminum coping, 10' lengths. Joint treatment consists of a 3/8" expansion reveal, 6" wide concealed gutter splice plate and gaskets.
- B** Gasket strips, field applied to full width and both sides of concealed gutter splice plate.
- C** Concealed gutter splice plate, 0.050" aluminum. When installed with gaskets, splice plates diverts water to roof side.
- D** Compression Cleats, 16 ga. galvanized steel installed @ 30" centers and at all joint locations.
- D1** Stainless steel spring clips factory welded to compression cleat.
- E** Elastomeric roof membrane extends over parapet plate and face fastened - see membrane manufacturer's specifications.
- F** #12 x 1-1/2" wood screws, (4 required)
- G** Continuous wood plate & roof parapet.

Please visit us at www.perimeter-systems.com for Factory Mutual ratings.

METAL OPTIONS	FINISH OPTIONS
0.040" Aluminum	EZ Mix Kynar
0.050" Aluminum	Custom Kynar
0.063" Aluminum	Clear Anodized
0.080" Aluminum	Intergral Color Anodized
0.090" Aluminum	Mill Finish

Default selections are in **BOLD**