

# SUBMITTAL / DATA SHEET

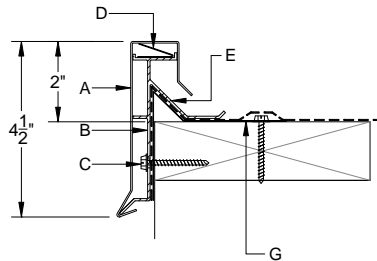
Perimeter  
Systems

Innovative Aluminum Architecture

A division of **SAF**

8370 East Hwy 78  
Villa Rica, GA 30180  
800-334-9823 770-942-1207 Fax 942-4173

## PRESS-LOC GRAVEL STOP



| Available Thickness | Finish Options          |
|---------------------|-------------------------|
| 0.040" Aluminum     | EZ Mix Kynar            |
| 0.050" Aluminum     | Custom Kynar            |
| 0.063" Aluminum     | Clear Anodized          |
| 0.080" Aluminum     | Integral Color Anodized |
| 0.090" Aluminum     | Mill Finish             |

- Ⓐ Snap-on decorative aluminum coping, 10' lengths. Joint treatment consists of a  $\frac{3}{8}$ " expansion reveal, 6" wide concealed splice plate and gaskets.
- Ⓑ Extruded aluminum secure bar, 10' lengths.
- Ⓒ #10 stainless screws @ 12" centers.
- Ⓓ Stainless steel tension clips @ 24" centers.
- Ⓔ Elastomeric roof membrane is firmly compressed between secure bar and metal edging.
- Ⓕ Thermoplastic flashing adhered to membrane manufacturer's coated metal.
- Ⓖ Embed aggregate up to edge of secure bar.
- Ⓗ Metal edging by installer.
- Ⓖ Coated metal edging by installer.

### E.P.D.M. ROOFS

Install simple metal edging (by installer) to provide a raised edge for run-off protection. Following membrane manufacturer's specifications apply roof membrane up and over simple metal edging.

Install secure bar with screws. Place tension clips onto secure bar's top seating area and snap fascia into position. Insert fascia splice plate at joints.

### THERMOPLASTIC ROOFS

Following membrane manufacturer's specifications apply roof membrane over roof edge. Install simple metal edging (by installer) to provide a raised edge for run-off protection. Apply flashing membrane and snap fascia into position. Insert fascia splice plate at joints.

Install secure bar with screws. Place tension clips onto secure bar's top seating area and snap fascia into position. Insert fascia splice plate at joints.

### BUILT-UP ROOFS

Following membrane manufacturer's specifications apply roof membrane with envelope strips to prevent bitumen drippage. Install simple metal edging (by installer) to provide a raised edge for run-off protection. Apply flashing strips to metal edging.

Install secure bar with screws. Place tension clips onto secure bar's top seating area and snap fascia into position. Insert fascia splice plate at joints.

Drawing No. 81

# SUBMITTAL / DATA SHEET

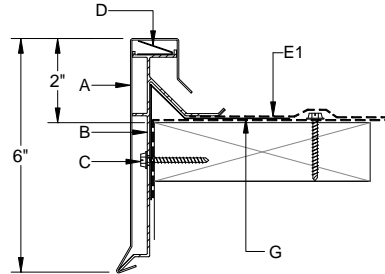
Perimeter  
Systems

Innovative Aluminum Architecture

A division of **SAF**

8370 East Hwy 78  
Villa Rica, GA 30180  
800-334-9823 770-942-1207 Fax 942-4173

## PRESS-LOC GRAVEL STOP



| Available Thickness | Finish Options          |
|---------------------|-------------------------|
| 0.040" Aluminum     | EZ Mix Kynar            |
| 0.050" Aluminum     | Custom Kynar            |
| 0.063" Aluminum     | Clear Anodized          |
| 0.080" Aluminum     | Integral Color Anodized |
| 0.090" Aluminum     | Mill Finish             |

- (A) Snap-on decorative aluminum coping, 10' lengths. Joint treatment consists of a  $\frac{3}{8}$ " expansion reveal, 6" wide concealed splice plate and gaskets.
- (B) Extruded aluminum secure bar, 10' lengths.
- (C) #10 stainless screws @ 12" centers.
- (D) Stainless steel tension clips @ 24" centers.
- (E) Elastomeric roof membrane is firmly compressed between secure bar and metal edging.
- (E1) Thermoplastic flashing adhered to membrane manufacturer's coated metal.
- (E2) Embed aggregate up to edge of secure bar.
- (G) Metal edging by installer.
- (G) Coated metal edging by installer.

### E.P.D.M. ROOFS

Install simple metal edging (by installer) to provide a raised edge for run-off protection. Following membrane manufacturer's specifications apply roof membrane up and over simple metal edging.

Install secure bar with screws. Place tension clips onto secure bar's top seating area and snap fascia into position. Insert fascia splice plate at joints.

### THERMOPLASTIC ROOFS

Following membrane manufacturer's specifications apply roof membrane over roof edge. Install simple metal edging (by installer) to provide a raised edge for run-off protection. Apply flashing membrane and snap fascia into position. Insert fascia splice plate at joints.

Install secure bar with screws. Place tension clips onto secure bar's top seating area and snap fascia into position. Insert fascia splice plate at joints.

### BUILT-UP ROOFS

Following membrane manufacturer's specifications apply roof membrane with envelope strips to prevent bitumen drippage. Install simple metal edging (by installer) to provide a raised edge for run-off protection. Apply flashing strips to metal edging.

Install secure bar with screws. Place tension clips onto secure bar's top seating area and snap fascia into position. Insert fascia splice plate at joints.

Drawing No. 81a

# SUBMITTAL / DATA SHEET

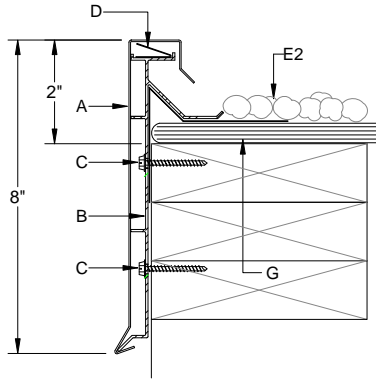
**Perimeter  
Systems**

*Innovative Aluminum Architecture*

A division of **SAF**

8370 East Hwy 78  
Villa Rica, GA 30180  
800-334-9823 770-942-1207 Fax 942-4173

## PRESS-LOC GRAVEL STOP



| Available Thickness | Finish Options          |
|---------------------|-------------------------|
| 0.040" Aluminum     | EZ Mix Kynar            |
| 0.050" Aluminum     | Custom Kynar            |
| 0.063" Aluminum     | Clear Anodized          |
| 0.080" Aluminum     | Integral Color Anodized |
| 0.090" Aluminum     | Mill Finish             |

- (A) Snap-on decorative aluminum coping, 10' lengths. Joint treatment consists of a  $\frac{3}{8}$ " expansion reveal, 6" wide concealed splice plate and gaskets.
- (B) Extruded aluminum secure bar, 10' lengths.
- (C) #10 stainless screws @ 12" centers.
- (D) Stainless steel tension clips @ 24" centers.
- (E) Elastomeric roof membrane is firmly compressed between secure bar and metal edging.
- (E1) Thermoplastic flashing adhered to membrane manufacturer's coated metal.
- (E2) Embed aggregate up to edge of secure bar.
- (G) Metal edging by installer.
- (G) Coated metal edging by installer.

### E.P.D.M. ROOFS

Install simple metal edging (by installer) to provide a raised edge for run-off protection. Following membrane manufacturer's specifications apply roof membrane up and over simple metal edging.

Install secure bar with screws. Place tension clips onto secure bar's top seating area and snap fascia into position. Insert fascia splice plate at joints.

### THERMOPLASTIC ROOFS

Following membrane manufacturer's specifications apply roof membrane over roof edge. Install simple metal edging (by installer) to provide a raised edge for run-off protection. Apply flashing membrane and snap fascia into position. Insert fascia splice plate at joints.

Install secure bar with screws. Place tension clips onto secure bar's top seating area and snap fascia into position. Insert fascia splice plate at joints.

### BUILT-UP ROOFS

Following membrane manufacturer's specifications apply roof membrane with envelope strips to prevent bitumen drippage. Install simple metal edging (by installer) to provide a raised edge for run-off protection. Apply flashing strips to metal edging.

Install secure bar with screws. Place tension clips onto secure bar's top seating area and snap fascia into position. Insert fascia splice plate at joints.

Drawing No. 81b