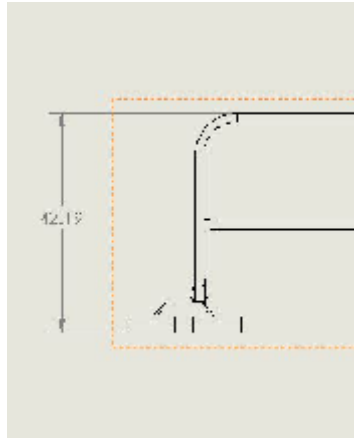
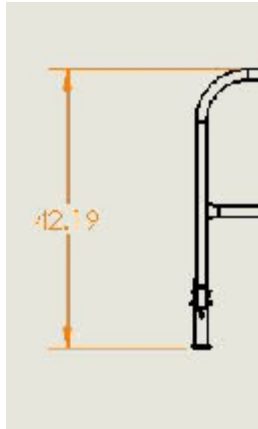


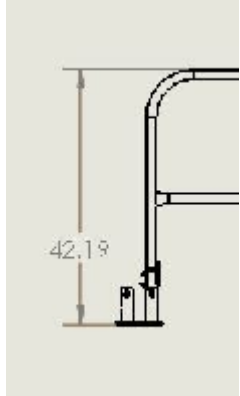
MOUNTING BRACKET OPTIONS



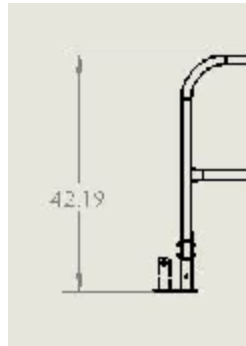
1. MOBILE BASE
PART NUMBER 420068



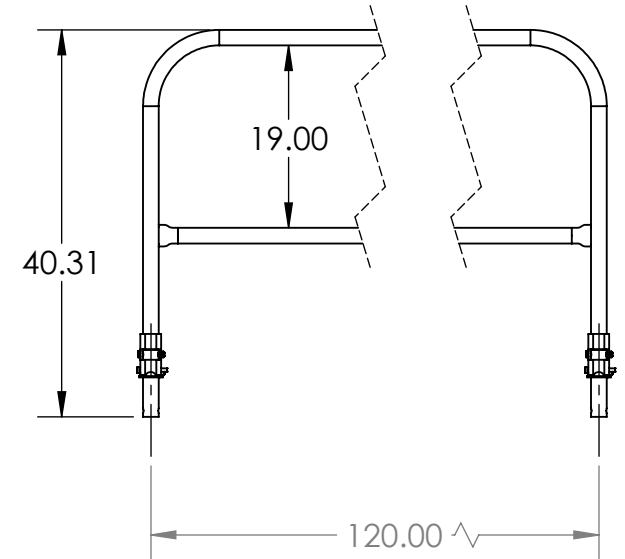
2. PERMANENT MOUNT BRACKET
SINGLE
PART NUMBER 400033



3. PERMANENT MOUNT BRACKET
DOUBLE
PART NUMBER 400035



4. PERMANENT MOUNT BRACKET
CORNER
PART NUMBER 400037



PROPRIETARY AND CONFIDENTIAL

THE INFORMATION CONTAINED IN THIS DRAWING IS THE SOLE PROPERTY OF SAFETY RAIL COMPANY LLC. ANY REPRODUCTION IN PART OR AS A WHOLE WITHOUT THE WRITTEN PERMISSION OF SAFETY RAIL COMPANY LLC IS PROHIBITED.

		UNLESS OTHERWISE SPECIFIED:	NAME	DATE
		DIMENSIONS ARE IN INCHES	DRAWN	GHJ 5/5/2017
		TOLERANCES:	CHECKED	
		FRACTIONAL ±	ENG APPR.	
		ANGULAR: MACH ± BEND ±	MFG APPR.	
		TWO PLACE DECIMAL ±	Q.A.	
		THREE PLACE DECIMAL ±	COMMENTS:	
		INTERPRET GEOMETRIC TOLERANCING PER:		
		MATERIAL		
		FINISH		
NEXT ASSY	USED ON			
APPLICATION		DO NOT SCALE DRAWING		

TITLE:
**HIDE A RAIL
ASSEMBLY 10'**

SIZE DWG. NO. REV
A 400120A

SCALE: 1:20 WEIGHT: SHEET 1 OF 1