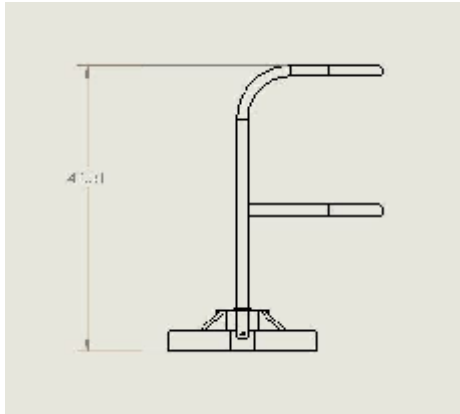
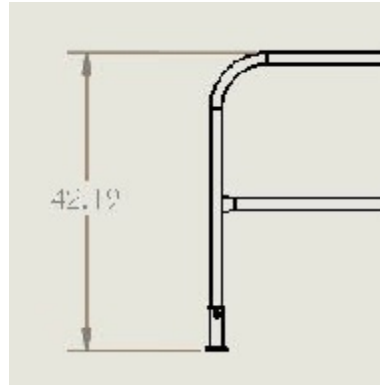


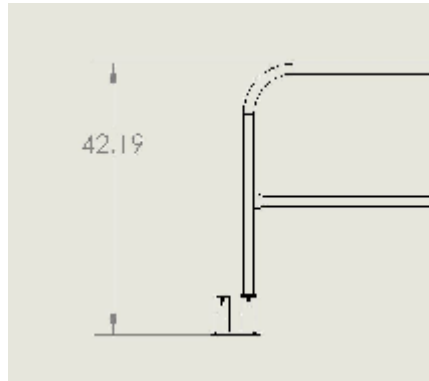
MOUNTING BRACKET OPTIONS



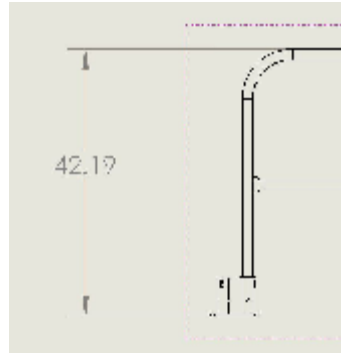
MOBILE BASE
1. PART NUMBER 420068



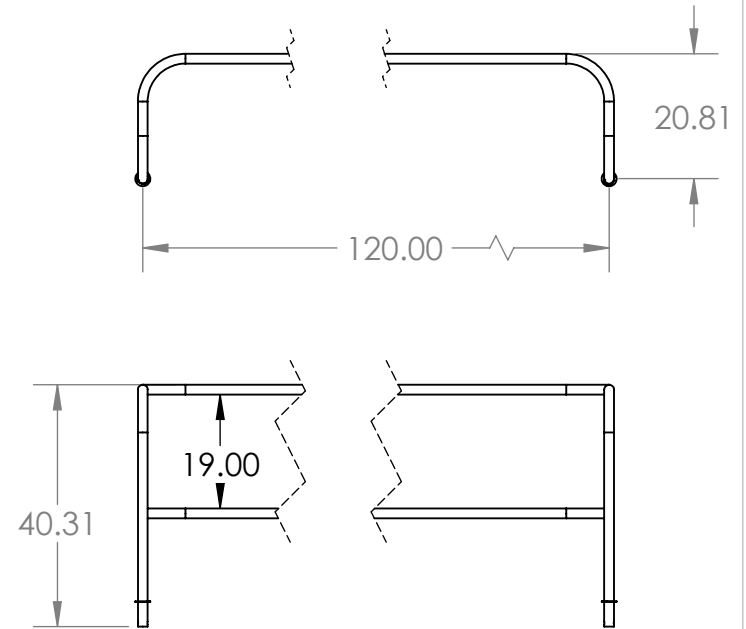
PERMANENT MOUNT BRACKET
SINGLE
2. PART NUMBER 400033



PERMANENT MOUNT BRACKET
DOUBLE
3. PART NUMBER 400035



PERMANENT MOUNT BRACKET
CORNER
4. PART NUMBER 400037



PROPRIETARY AND CONFIDENTIAL
THE INFORMATION CONTAINED IN THIS DRAWING IS THE SOLE PROPERTY OF SAFETY RAIL COMPANY. ANY REPRODUCTION IN PART OR AS A WHOLE WITHOUT THE WRITTEN PERMISSION OF SAFETY RAIL COMPANY IS PROHIBITED.

		UNLESS OTHERWISE SPECIFIED:
		DIMENSIONS ARE IN INCHES
		TOLERANCES:
		FRACTIONAL ±
		ANGULAR: MACH ± BEND ±
		TWO PLACE DECIMAL ±
		THREE PLACE DECIMAL ±
		INTERPRET GEOMETRIC TOLERANCING PER:
		MATERIAL
		FINISH
		PCOAT SAFETY YEL
NEXT ASSY	USED ON	
APPLICATION		DO NOT SCALE DRAWING

	NAME	DATE
DRAWN	GHJ	04/27/17
CHECKED		
ENG APPR.		
MFG APPR.		
Q.A.		
COMMENTS:		
SRC STANDARDS:		
AWS D1.3		
Use only ER70S-6 wire.		
75/25 Mig Gas		

TITLE:		
10' MOBILE PARAPET WALL RAILING		
SIZE	DWG. NO.	REV
A	400852A	
SCALE: 1:32	WEIGHT:	SHEET 1 OF 1