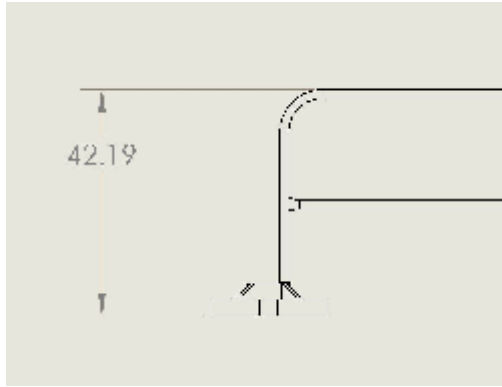
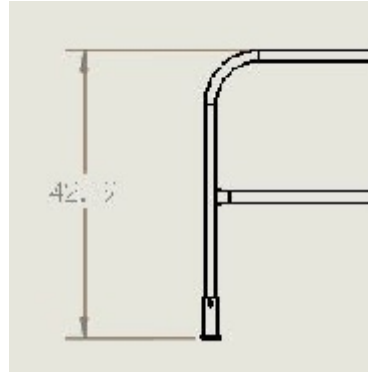


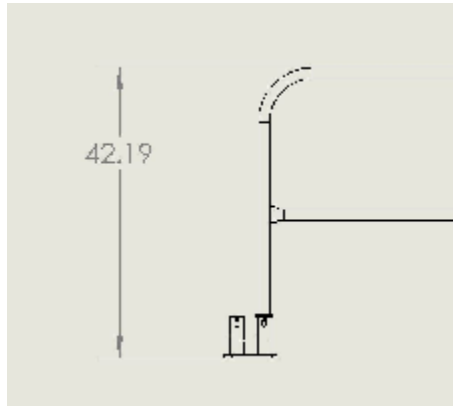
MOUNTING BRACKET OPTIONS



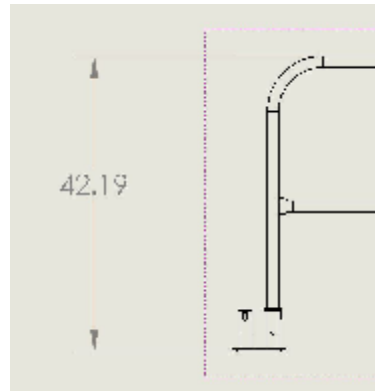
1. MOBILE BASE
PART NUMBER 420068



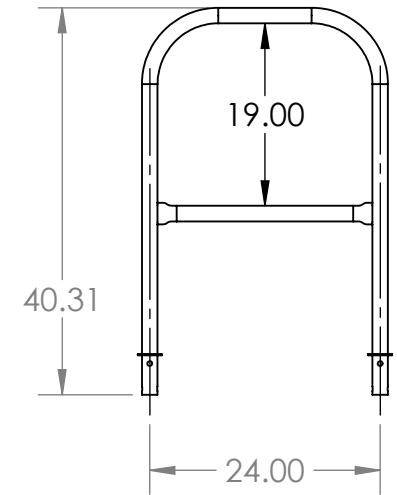
2. PERMANENT MOUNT BRACKET
SINGLE
PART NUMBER 400033



3. PERMANENT MOUNT BRACKET
DOUBLE
PART NUMBER 400035



4. PERMANENT MOUNT BRACKET
CORNER
PART NUMBER 400037



<p>PROPRIETARY AND CONFIDENTIAL</p> <p>THE INFORMATION CONTAINED IN THIS DRAWING IS THE SOLE PROPERTY OF SAFETY RAIL COMPANY. ANY REPRODUCTION IN PART OR AS A WHOLE WITHOUT THE WRITTEN PERMISSION OF SAFETY RAIL COMPANY IS PROHIBITED.</p>				UNLESS OTHERWISE SPECIFIED:	NAME	DATE	<h2>2' RAIL</h2>		
				DIMENSIONS ARE IN INCHES	DRAWN	TN		06/30/14	
				TOLERANCES:	CHECKED				TITLE:
				FRACTIONAL ±	ENG APPR.				
				ANGULAR: MACH ± BEND ±	MFG APPR.				
			TWO PLACE DECIMAL ±	Q.A.					
			THREE PLACE DECIMAL ±	COMMENTS:					
			INTERPRET GEOMETRIC TOLERANCING PER:	SRC STANDARDS:	SIZE	DWG. NO.	REV		
			MATERIAL	AWS D1.3	A	400000A			
			FINISH	Use only ER70S-6 wire.					
			PCOAT SAFETY YEL	75/25 Mig Gas					
	NEXT ASSY	USED ON	DO NOT SCALE DRAWING			SCALE: 1:20	WEIGHT:		
	APPLICATION					SHEET 1 OF 1			