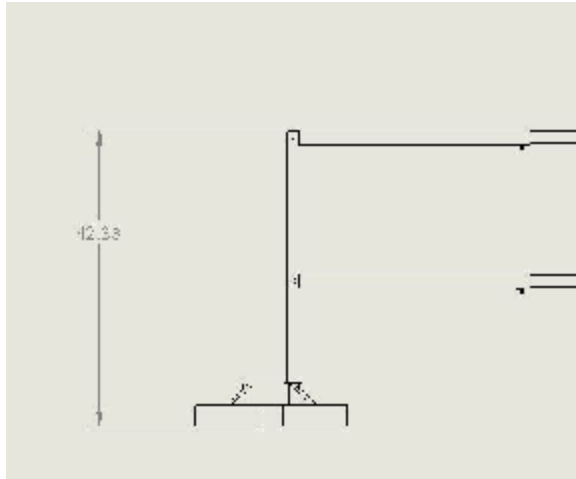
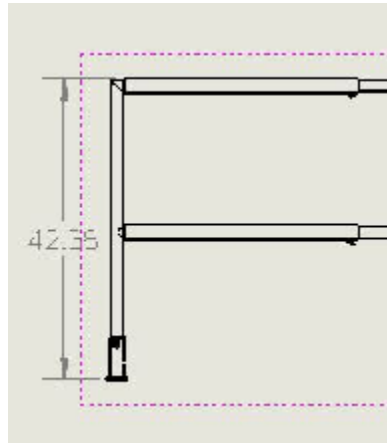


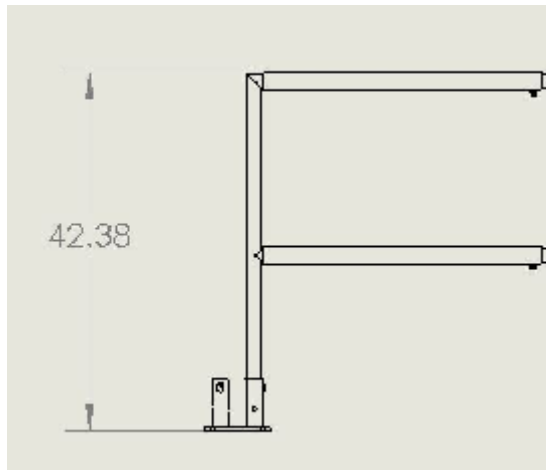
MOUNTING BRACKET OPTIONS



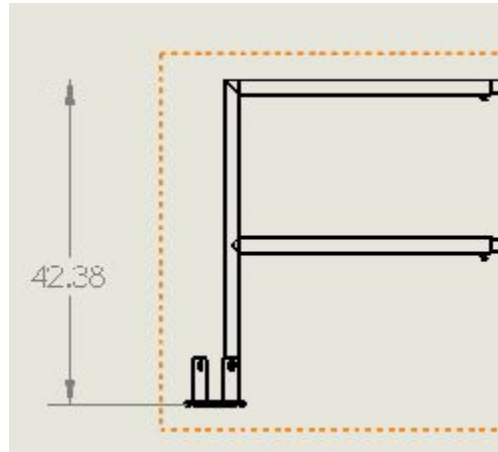
MOBILE BASE
1. PART NUMBER 420068



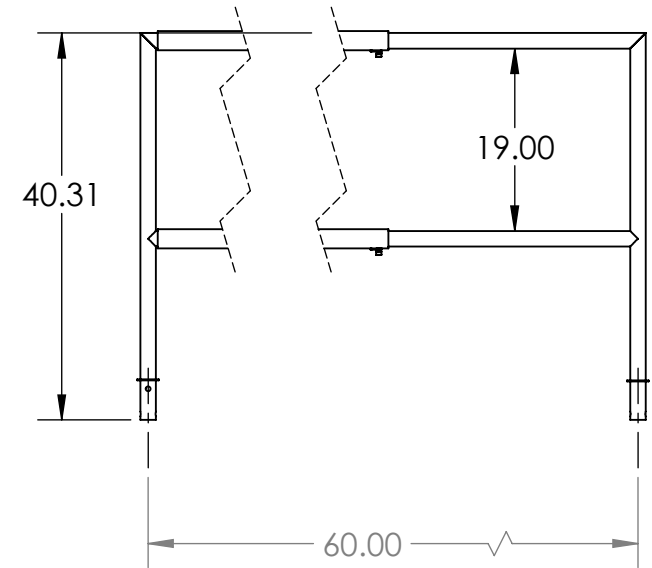
PERMANENT MOUNT BRACKET
SINGLE
2. PART NUMBER 400033



PERMANENT MOUNT BRACKET
CORNER
4. PART NUMBER 400037



PERMANENT MOUNT BRACKET
DOUBLE
3. PART NUMBER 400035



TITLE: ADJUSTABLE RAIL 3-5'		
SIZE A	DWG. NO. 400846A	REV
SCALE: 1:20	WEIGHT:	SHEET 1 OF 1

Safety Rail Company LLC.
4244 Shoreline Dr.
P.O. Box 427
Spring Park, MN 55384

Toll Free: 888-434-2720
Tel: 952-471-0950
Fax: 888-471-4931
www.safetyrailcompany.com
info@safetyrailcompany.com