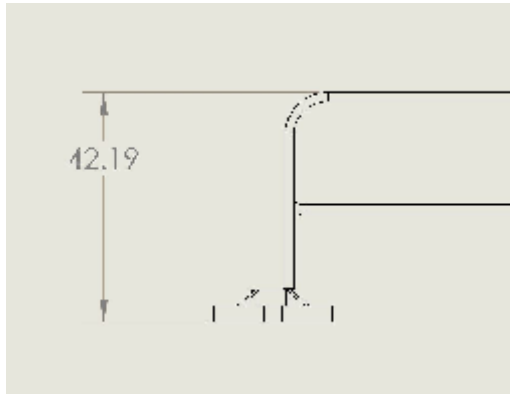
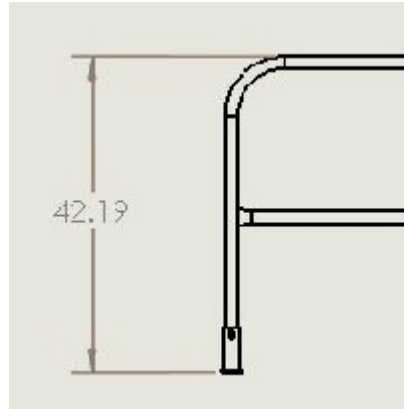


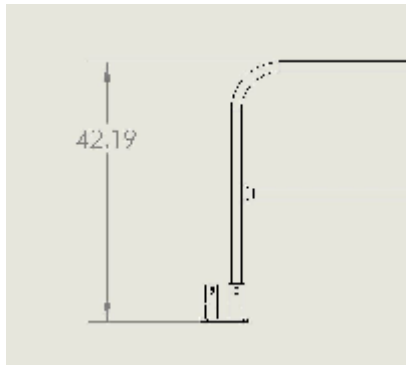
MOUNTING BRACKET OPTIONS



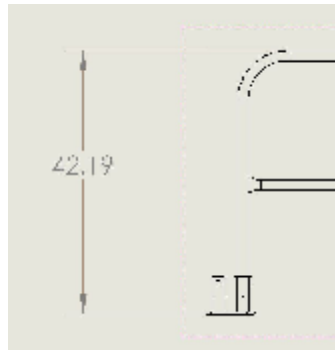
MOBILE BASE
1. PART NUMBER 420068



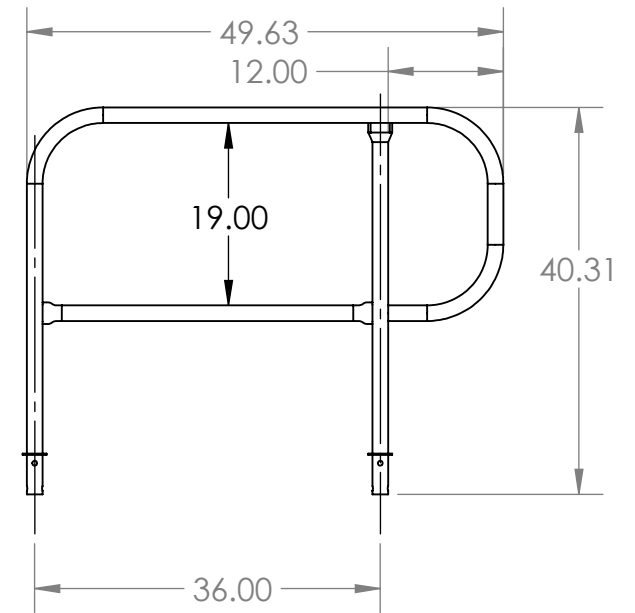
PERMANENT MOUNT BRACKET
SINGLE
2. PART NUMBER 400033



PERMANENT MOUNT BRACKET
DOUBLE
3. PART NUMBER 400035



PERMANENT MOUNT BRACKET
CORNER
4. PART NUMBER 400037



PROPRIETARY AND CONFIDENTIAL

THE INFORMATION CONTAINED IN THIS DRAWING IS THE SOLE PROPERTY OF SAFETY RAIL COMPANY LLC. ANY REPRODUCTION IN PART OR AS A WHOLE WITHOUT THE WRITTEN PERMISSION OF SAFETY RAIL COMPANY LLC IS PROHIBITED.

| | | | | |
|-------------|---------|--------------------------------------|-----------|--------------|
| | | UNLESS OTHERWISE SPECIFIED: | NAME | DATE |
| | | DIMENSIONS ARE IN INCHES | DRAWN | GHJ 5/5/2017 |
| | | TOLERANCES: | CHECKED | |
| | | FRACTIONAL ± | ENG APPR. | |
| | | ANGULAR: MACH ± BEND ± | MFG APPR. | |
| | | TWO PLACE DECIMAL ± | Q.A. | |
| | | THREE PLACE DECIMAL ± | COMMENTS: | |
| | | INTERPRET GEOMETRIC TOLERANCING PER: | | |
| | | MATERIAL | | |
| | | 1.625 X .065 | | |
| | | FINISH | | |
| | | PC AERO YEL | | |
| NEXT ASSY | USED ON | | | |
| APPLICATION | | DO NOT SCALE DRAWING | | |

| | | |
|----------------|----------------|--------------|
| TITLE: | | |
| 4' FINISH RAIL | | |
| SIZE | DWG. NO. | REV |
| A | 400246A | |
| SCALE: 1:20 | WEIGHT: | SHEET 1 OF 1 |