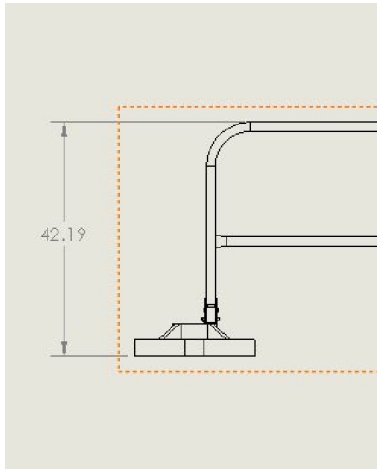
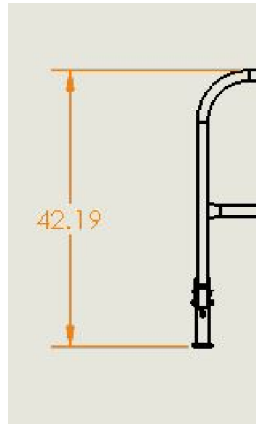


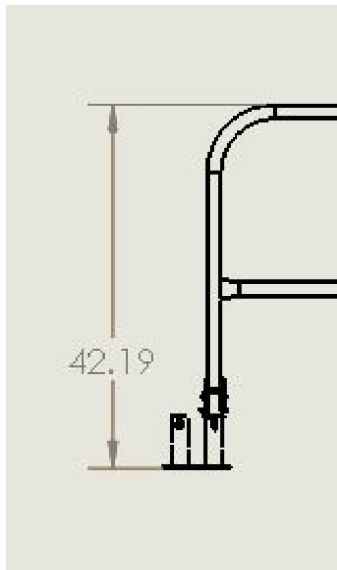
MOUNTING BRACKET OPTIONS



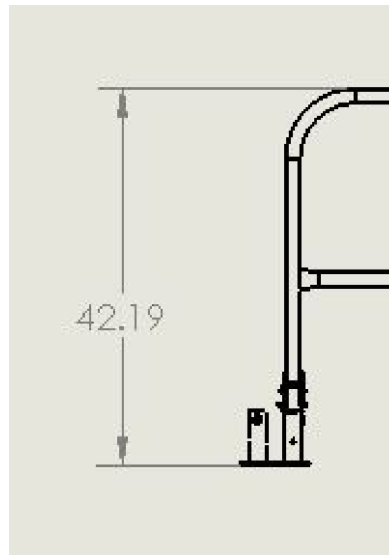
1. MOBILE BASE
PART NUMBER 420068



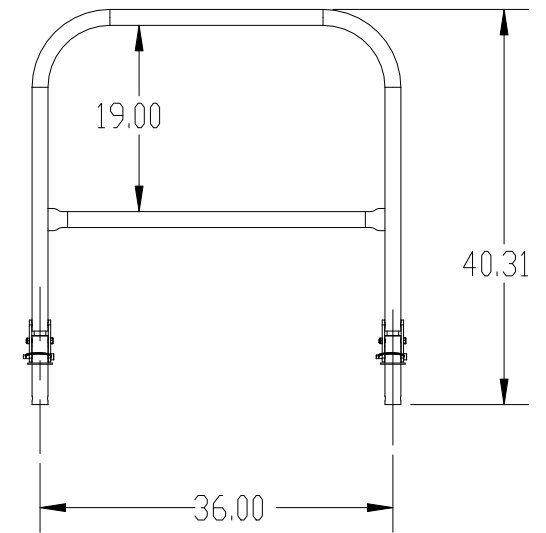
PERMANENT MOUNT BRACKET
SINGLE
2. PART NUMBER 400033



PERMANENT MOUNT BRACKET
DOUBLE
3. PART NUMBER 400035



PERMANENT MOUNT BRACKET
CORNER
4. PART NUMBER 400037



TITLE:
HIDE-A-RAIL ASSEMBLY 3'

Safety Rail Company LLC, Toll Free: 888-434-2720
4244 Shoreline Dr. Tel: 952-471-0950
P.O. Box 427 Fax: 888-471-4931
Spring Park, MN 55384 www.safetyrailcompany.com
info@safetyrailcompany.com

SIZE A	DWG. NO. 400091A	REV
SCALE: 1:20	WEIGHT:	SHEET 1 OF 1